

About this Manual

We've added this manual to the Agilent website in an effort to help you support your product. This manual is the best copy we could find; it may be incomplete or contain dated information. If we find a more recent copy in the future, we will add it to the Agilent website.

Support for Your Product

Agilent no longer sells or supports this product. Our service centers may be able to perform calibration if no repair parts are needed, but no other support from Agilent is available. You will find any other available product information on the Agilent Test & Measurement website, www.tm.agilent.com.

HP References in this Manual

This manual may contain references to HP or Hewlett-Packard. Please note that Hewlett-Packard's former test and measurement, semiconductor products and chemical analysis businesses are now part of Agilent Technologies. We have made no changes to this manual copy. In other documentation, to reduce potential confusion, the only change to product numbers and names has been in the company name prefix: where a product number/name was HP XXXX the current name/number is now Agilent XXXX. For example, model number HP8648A is now model number Agilent 8648A.

Programmer's Guide

Publication number 01660-97029
First edition, August 1998

For Safety information, Warranties, and Regulatory information, see the pages behind the Index.

© Copyright Hewlett-Packard Company 1992-1998
All Rights Reserved

HP 1660E/ES/EP-Series Logic Analyzers

In This Book

This programmer's guide contains general information, instrument level commands, logic analyzer commands, oscilloscope module commands, pattern generator module commands, and programming examples for the HP 1660E/ES/EP-series logic analyzers. This guide focuses on how to program the instrument over the HP-IB and the RS-232-C interfaces. For information on the Ethernet, refer to the LAN section of your User's Guide.

Instruments covered by the HP 1660E/ES/EP-Series Programmers Guide

The HP 1660E/ES/EP-series logic analyzers are available with or without oscilloscope measurement capabilities. The HP 1660E-series contains only a logic analyzer. The HP 1660ES-series contains both a logic analyzer and a digitizing oscilloscope. The HP 1660EP-series contains both a logic analyzer and a pattern generator. The HP 1660E/ES/EP-series has a hard disk drive and optional Ethernet capability.

What is in the HP1660E/ES/EP-Series Programmer's Guide?

The HP1660E/ES/EP-Series Programmer's Guide is organized in six parts.

1	Introduction to Programming the HP 1660E/ES/EP	
2	Programming Over HP-IB	
3	Programming Over RS-232-C	
4	Programming and Documentation Conventions	
5	Message Communication and System Functions	
6	Status Reporting	
7	Error Message	
8	Common Commands	
9	Instrument Commands	
10	SYSTEM Subsystem	
11	MMEMory Subsystem	
12	INTErmodule Subsystem	
13	MACHine Subsystem	
14	WLISt Subsystem	

Part 1 Part 1 consists of chapters 1 through 7 and contains general information about programming basics, HP-IB and RS-232-C interface requirements, documentation conventions, status reporting, and error messages.

If you are already familiar with IEEE 488.2 programming and HP-IB or RS-232-C, you may want to just scan these chapters. If you are new to programming the system, you should read part 1.

Chapter 1 is divided into two sections. The first section, "Talking to the Instrument," concentrates on program syntax, and the second section, "Receiving Information from the Instrument," discusses how to send queries and how to retrieve query results from the instrument.

Read either chapter 2, "Programming Over HP-IB," or chapter 3, "Programming Over RS-232-C" for information concerning the physical connection between the HP 1660E/ES-series logic analyzer and your controller.

Chapter 4, "Programming and Documentation Conventions," gives an overview of all instructions and also explains the notation conventions used in the syntax definitions and examples.

Chapter 5, "Message Communication and System Functions," provides an overview of the operation of instruments that operate in compliance with the IEEE 488.2 standard.

Chapter 6 explains status reporting and how it can be used to monitor the flow of your programs and measurement process.

Chapter 7 contains error message descriptions.

Part 2 Part 2, chapters 8 through 13, explains each command in the command set for the overall logic analyzer. These chapters are organized in subsystems with each subsystem representing a front-panel menu.

The commands explained in this part give you access to common commands, instrument commands, system level commands, disk commands, and intermodule measurement commands. This part is designed to provide a concise description of each command.

Part 3 Part 3, chapters 14 through 27 explain each command in the subsystem command set for the logic analyzer. Chapter 27 contains information on the SYSTEM:DATA and SYSTEM:SETup commands for the logic analyzer.

The commands explained in this part give you access to all the commands used to operate the logic analyzer portion of the HP 1660E/ES/EP-Series

system. This part is designed to provide a concise description of each command.

Part 4 Part 4, chapters 28 through 36 explain each command in the subsystem command set for the oscilloscope. The information covered in Part 4 is only relevant to models containing an oscilloscope.

The commands explained in this part give you access to all the commands used to operate the oscilloscope portion of the HP 1660ES-series system. This part is designed to provide a concise description of each command.

Part 5 Part 5, chapters 37 through 42 explain each command in the subsystem command set for the pattern generator. The information covered in Part 5 is only relevant to models containing a pattern generator.

The commands explained in this part give you access to all the commands used to operate the pattern generator portion of the HP 1660EP-series system. This part is designed to provide a concise description of each command.

15	SFORmat Subsystem	
16	STRigger (STRace) Subsystem	
17	SLISt Subsystem	
18	SWAVeform Subsystem	
19	SCHart Subsystem	
20	COMPare Subsystem	
21	TFORmat Subsystem	
22	TRIGger {TRACe} Subsystem	
23	TWAVeform Subsystem	
24	TLISt Subsystem	
25	SPA Subsystem	
26	SYMBol Subsystem	
27	DATA and SETup Commands	
28	Oscilloscope Root Level Commands	
29	ACQuire Subsystem	

Part 6 Part 6, chapter 43, contains program examples of actual tasks that show you how to get started in programming the HP 1660E/ES/EP-series logic analyzers. The complexity of your programs and the tasks they accomplish are limited only by your imagination. These examples are written in HP BASIC 6.2; however, the program concepts can be used in any other popular programming language that allows communications over HP-IB or RS-232 buses.

30	CHANnel Subsystem	
31	DISPlay Subsystem	
32	MARKer Subsystem	
33	MEASure Subsystem	
34	TIMebase Subsystem	
35	TRIGger Subsystem	
36	WAVEform Subsystems	
37	Programing the Pattern Generator	
38	FORMat Subsystem	
39	SEQuence Subsystem	
40	MACRo Subsystem	
41	SYMBol Subsystem	
42	DATA and SETup Commands	
43	Programming Examples	
	Index	

Part 1

General Information



Introduction to Programming the HP 1660E/ES/EP

Introduction

This chapter introduces you to the basics of remote programming, and is organized in two sections. The first section, "Talking to the Instrument," concentrates on initializing the bus, program syntax and the elements of a syntax instruction. The second section, "Receiving Information from the Instrument," discusses how queries are sent and how to retrieve query results from the mainframe instruments.

The programming instructions explained in this book conform to IEEE Std 488.2-1987, "IEEE Standard Codes, Formats, Protocols, and Common Commands." These programming instructions provide a means of remotely controlling the HP 1660E/ES/EP-series logic analyzers. There are three general categories of use. You can:

- Set up the instrument and start measurements
- Retrieve setup information and measurement results
- Send measurement data to the instrument

The instructions listed in this manual give you access to the measurements and front panel features of the HP 1660E/ES/EP-series. The complexity of your programs and the tasks they accomplish are limited only by your imagination. This programming guide is designed to provide a concise description of each instruction.

In general, computers acting as controllers communicate with the instrument by sending and receiving messages over a remote interface, such as HP-IB or RS-232-C. Instructions for programming the HP 1660E/ES/EP-series will normally appear as ASCII character strings embedded inside the output statements of a "host" language available on your controller. The host language's input statements are used to read in responses from the HP 1660E/ES/EP-series.

For example, HP 9000 Series 200/300 BASIC uses the OUTPUT statement for sending commands and queries to the HP 1660E/ES/EP-series logic analyzers. After you send a query, you can read the response using the ENTER statement. All programming examples in this manual are presented in HP BASIC.

Example

This BASIC statement sends a command that causes the logic analyzer's machine 1 to be a state analyzer:

```
OUTPUT XXX; ":MACHINE1:TYPE STATE" <terminator>
```

Each part of this BASIC statement is explained in this section.

Initialization

To make sure the bus and all appropriate interfaces are in a known state, begin every program with an initialization statement. BASIC provides a CLEAR command that clears the interface buffer. If you are using HP-IB, CLEAR will also reset the parser in the logic analyzer. The parser is the program resident in the logic analyzer that reads the instructions you send to it from the controller.

After clearing the interface, you could preset the logic analyzer to a known state by loading a predefined configuration file from the disk.

Refer to your controller manual and programming language reference manual for information on initializing the interface.

Example

This BASIC statement would load the configuration file "DEFAULT " (if it exists) into the logic analyzer.

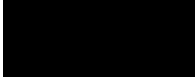
```
OUTPUT XXX; ":MMEMORY:LOAD:CONFIG 'DEFAULT ' "
```

Refer to chapter 11, "MMEMory Subsystem" for more information on the LOAD command.

Example

This program demonstrates the basic command structure used to program the HP 1660E/ES/EP-series logic analyzers.

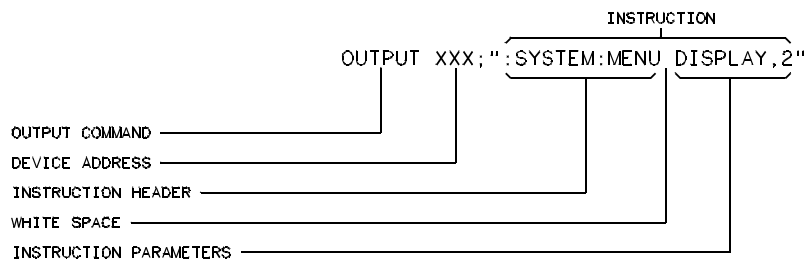
```
10 CLEAR XXX !Initialize instrument interface
20 OUTPUT XXX; ":SYSTEM:HEADER ON" !Turn headers on
30 OUTPUT XXX; ":SYSTEM:LONGFORM ON" !Turn longform on
40 OUTPUT XXX; ":MMEM:LOAD:CONFIG 'TEST E' " !Load configuration file
50 OUTPUT XXX; ":MENU FORMAT,1" !Select Format menu for machine 1
60 OUTPUT XXX; ":RMODE SINGLE" !Select run mode
70 OUTPUT XXX; ":START" !Run the measurement
```



Instruction Syntax

To program the logic analyzer remotely, you must understand the command format and structure. The IEEE 488.2 standard governs syntax rules pertaining to how individual elements, such as headers, separators, parameters and terminators, may be grouped together to form complete instructions. Syntax definitions are also given to show how query responses will be formatted. Figure 1-1 shows the three main syntactical parts of a typical program statement: Output Command, Device Address, and Instruction. The instruction is further broken down into three parts: Instruction header, White space, and Instruction parameters.

Figure 1-1



81650230

Program Message Syntax

Output Command

The output command depends on the language you choose to use. Throughout this guide, HP 9000 Series 200/300 BASIC 6.2 is used in the programming examples. If you use another language, you will need to find the equivalents of BASIC Commands, like `OUTPUT`, `ENTER` and `CLEAR` to convert the examples. The instructions are always shown between the double quotation marks.

Device Address

The location where the device address must be specified also depends on the host language that you are using. In some languages, this could be specified outside the output command. In BASIC, this is always specified after the keyword OUTPUT. The examples in this manual use a generic address of XXX. When writing programs, the number you use will depend on the cable you use, in addition to the actual address. If you are using an HP-IB, see chapter 2, "Programming over HP-IB." If you are using RS-232-C, see chapter 3, "Programming Over RS-232-C."

Instructions

Instructions (both commands and queries) normally appear as a string embedded in a statement of your host language, such as BASIC, Pascal or C. The only time a parameter is not meant to be expressed as a string is when the instruction's syntax definition specifies block data. There are just a few instructions that use block data.

Instructions are composed of two main parts: the header, which specifies the command or query to be sent; and the parameters, which provide additional data needed to clarify the meaning of the instruction. Many queries do not use any parameters.

Instruction Header

The instruction header is one or more keywords separated by colons (:). The command tree in figure 4-1 illustrates how all the keywords can be joined together to form a complete header (see chapter 4, "Programming and Documentation Conventions").

The example in figure 1-1 shows a command. Queries are indicated by adding a question mark (?) to the end of the header. Many instructions can be used as either commands or queries, depending on whether or not you have included the question mark. The command and query forms of an instruction usually have different parameters.



When you look up a query in this programmer's guide, you'll find a paragraph labeled "Returned Format" under the one labeled "Query." The syntax definition by "Returned format" will always show the instruction header in square brackets, like [:SYSTem:MENU], which means the text between the brackets is optional. It is also a quick way to see what the header looks like.

White Space

White space is used to separate the instruction header from the instruction parameters. If the instruction does not use any parameters, white space does not need to be included. White space is defined as one or more spaces. ASCII defines a space to be a character, represented by a byte, that has a decimal value of 32. Tabs can be used only if your controller first converts them to space characters before sending the string to the instrument.

Instruction Parameters

Instruction parameters are used to clarify the meaning of the command or query. They provide necessary data, such as: whether a function should be on or off, which waveform is to be displayed, or the search pattern. Each instruction's syntax definition shows the parameters, as well as the range of acceptable values. This chapter's "Parameter Data Types" section has all of the general rules about acceptable values.

When there is more than one parameter, they are separated by commas (,). White space surrounding the commas is optional.

Instruction Terminator

An instruction is executed after the instruction terminator is received. The terminator is the NL (New Line) character. The NL character is an ASCII linefeed character (decimal 10).

The NL (New Line) terminator has the same function as an EOS (End Of String) and EOT (End Of Text) terminators.

Header Types

There are three types of headers: Simple Command, Compound Command, and Common Command.

Simple Command Header

Simple command headers contain a single keyword. START and STOP are examples of simple command headers typically used in this logic analyzer.

The syntax is:

```
<function><terminator>
```

When parameters (indicated by <data>) must be included with the simple command header, the syntax is:

```
<function><white_space><data><terminator>
```

Example

```
:RMODE SINGLE<terminator>
```

Compound Command Header

Compound command headers are a combination of two or more program keywords. The first keyword selects the subsystem, and the last keyword selects the function within that subsystem. Sometimes you may need to list more than one subsystem before being allowed to specify the function. The keywords within the compound header are separated by colons. For example, to execute a single function within a subsystem, use the following:

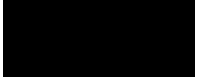
```
:<subsystem>:<function><white_space><data><terminator>
```

Example

```
:SYSTEM:LONGFORM ON
```

To traverse down one level of a subsystem to execute a subsystem within that subsystem, use the following:

```
<subsystem>:<subsystem>:<function><white_space>  
<data><terminator>
```



Example

```
:MMEMORY:LOAD:CONFIG "FILE "
```

Common Command Header

Common command headers control IEEE 488.2 functions within the logic analyzer, such as, clear status. The syntax is:

```
*<command header><terminator>
```

No white space or separator is allowed between the asterisk and the command header. *CLS is an example of a common command header.

Combined Commands in the Same Subsystem

To execute more than one function within the same subsystem, a semicolon (;) is used to separate the functions:

```
:<subsystem>:<function><white  
space><data>;<function><white space><data><terminator>
```

Example

```
:SYSTEM:LONGFORM ON;HEADER ON
```

Duplicate Keywords

Identical function keywords can be used for more than one subsystem. For example, the function keyword MMODE may be used to specify the marker mode in the subsystem for state listing or the timing waveforms:

- :SLIST:MMODE PATTERN - sets the marker mode to pattern in the state listing.
- :TWAVEFORM:MMODE TIME - sets the marker mode to time in the timing waveforms.

SLIST and TWAVEFORM are subsystem selectors, and they determine which marker mode is being modified.

Query Usage

Logic analyzer instructions that are immediately followed by a question mark (?) are queries. After receiving a query, the logic analyzer parser places the response in the output buffer. The output message remains in the buffer until it is read or until another logic analyzer instruction is issued. When read, the message is transmitted across the bus to the designated listener (typically a controller).

You use query commands to find out how the logic analyzer is currently configured. They are also used to get results of measurements made by the logic analyzer.

Example

This instruction places the current full-screen time for machine 1 in the output buffer.

```
:MACHINE1:TWAVEFORM:RANGE?
```

To prevent the loss of data in the output buffer, the output buffer must be read before the next program message is sent. Sending another command before reading the result of the query will cause the output buffer to be cleared and the current response to be lost. This will also generate a "QUERY UNTERMINATED" error in the error queue. For example, when you send the query `:TWAVEFORM:RANGE?`, you must follow that with an input statement. In BASIC, this is usually done with an ENTER statement.

In BASIC, the input statement, `ENTER XXX; Range`, passes the value across the bus to the controller and places it in the variable `Range`.

Additional details on how to use queries is in the section, "Receiving Information from the Instrument" on page 1-15.



Program Header Options

Program headers can be sent using any combination of uppercase or lowercase ASCII characters. Logic analyzer responses, however, are always returned in uppercase.

Both program command and query headers may be sent in long form (complete spelling), short form (abbreviated spelling), or any combination of long form and short form.

Programs written in long form are easily read and are almost self-documenting. The short form syntax conserves the amount of controller memory needed for program storage and reduces the amount of I/O activity. The rules for short form syntax are discussed in chapter 4, "Programming and Documentation Conventions."

Example

Either of the following examples turns on the headers and long form.
Long form:

```
OUTPUT XXX; ":SYSTEM:HEADER ON;LONGFORM ON"
```

Short form:

```
OUTPUT XXX; ":SYST:HEAD ON;LONG ON"
```

Parameter Data Types

There are three main types of data used in parameters. They are numeric, string, and keyword. A fourth type, block data, is used only for a few instructions: the DATA and SETup instructions in the SYSTEM subsystem (see chapter 10); and the CATalog, UPLoad, and DOWNload instructions in the MMEMory subsystem (see chapter 11). These syntax rules also show how data may be formatted when sent back from the HP 1660E/ES/EP-series as a response.

The parameter list always follows the instruction header and is separated from it by white space. When more than one parameter is used, they are separated by commas. You are allowed to include one or more white spaces around the commas, but it is not mandatory.

Numeric data

For numeric data, you have the option of using exponential notation or suffixes to indicate which unit is being used. However, exponential notation is only applicable to the decimal number base. Tables 5-1 and 5-2 in chapter 5, "Message Communications and System Functions," list all available suffixes. Do not combine an exponent with a unit.

Example

The following numbers are all equal:

$28 = 0.28E2 = 280E-1 = 28000m = 0.028K$

The base of a number is shown with a prefix. The available bases are binary (#B), octal (#Q), hexadecimal (#H), and decimal (default).

Example

The following numbers are all equal:

$\#B111100 = \#Q34 = \#H1C = 28$

You may not specify a base in conjunction with either exponents or unit suffixes. Additionally, negative numbers must be expressed in decimal.



When a syntax definition specifies that a number is an integer, it means that the number should be whole. Any fractional part would be ignored, truncating the number. Numeric parameters that accept fractional values are called real numbers.

All numbers are expected to be strings of ASCII characters. Thus, when sending the number 9, you send a byte representing the ASCII code for the character "9" (which is 57, or 0011 1001 in binary). A three-digit number, like 102, will take up three bytes (ASCII codes 49, 48 and 50). This is taken care of automatically when you include the entire instruction in a string.

String data

String data may be delimited with either single (') or double (") quotation marks. String parameters representing labels are case-sensitive. For instance, the labels "Bus A" and "bus a" are unique and should not be used indiscriminately. Also pay attention to the presence of spaces, because they act as legal characters just like any other. So, the labels "In" and " In" are also two different labels.

Keyword data

In many cases a parameter must be a keyword. The available keywords are always included with the instruction's syntax definition. When sending commands, either the long form or short form (if one exists) may be used. Uppercase and lowercase letters may be mixed freely. When receiving responses, upper-case letters will be used exclusively. The use of long form or short form in a response depends on the setting you last specified via the SYSTem:LONGform command (see chapter 10).

Selecting Multiple Subsystems

You can send multiple program commands and program queries for different subsystems on the same line by separating each command with a semicolon. The colon following the semicolon enables you to enter a new subsystem. The syntax is:

```
<instruction header><data>;:<instruction header><data>  
<terminator>
```

Multiple commands may be any combination of simple, compound, and common commands.

Example

```
:MACHINE1:ASSIGN2;:SYSTEM:HEADERS ON
```

Receiving Information from the Instrument



After receiving a query (logic analyzer instruction followed by a question mark), the logic analyzer interrogates the requested function and places the answer in its output queue. The answer remains in the output queue until it is read, or until another command is issued. When read, the message is transmitted across the bus to the designated listener (typically a controller). The input statement for receiving a response message from a logic analyzer's output queue usually has two parameters: the device address and a format specification for handling the response message.

All results for queries sent in a program message must be read before another program message is sent. For example, when you send the query `:MACHINE1:ASSIGN?`, you must follow it with an input statement. In BASIC, this is usually done with an ENTER statement.

The format for handling the response messages depend on both the controller and the programming language.

Example

To read the result of the query command `:SYSTEM:LONGFORM?` you can execute this BASIC statement to enter the current setting for the long form command in the numeric variable `Setting`.

```
ENTER XXX; Setting
```

Response Header Options

The format of the returned ASCII string depends on the current settings of the SYSTEM HEADER and LONGFORM commands. The general format is <instruction_header><space><data><terminator>

The header identifies the data that follows (the parameters) and is controlled by issuing a :SYSTEM:HEADER ON/OFF command. If the state of the header command is OFF, only the data is returned by the query.

The format of the header is controlled by the :SYSTEM:LONGFORM ON/OFF command. If long form is OFF, the header will be in its short form and the header will vary in length, depending on the particular query. The separator between the header and the data always consists of one space.

A command or query may be sent in either long form or short form, or in any combination of long form and short form. The HEADER and LONGFORM commands only control the format of the returned data, and, they have no effect on the way commands are sent.

Refer to chapter 10, "SYSTEM Subsystem" for information on turning the HEADER and LONGFORM commands on and off.

Example

The following examples show some possible responses for a :MACHINE1:SFORMAT:THRESHOLD2? query:

with HEADER OFF:

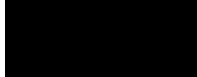
```
<data><terminator>
```

with HEADER ON and LONGFORM OFF:

```
:MACH1:SFOR:THR2 <white_space><data><terminator>
```

with HEADER ON and LONGFORM ON:

```
:MACHINE1:SFORMAT:THRESHOLD2 <white_space><data><terminator>
```



Response Data Formats

Both numbers and strings are returned as a series of ASCII characters, as described in the following sections. Keywords in the data are returned in the same format as the header, as specified by the LONGform command. Like the headers, the keywords will always be in uppercase.

Example

The following are possible responses to the MACHINE1: TFORMAT: LAB? 'ADDR' query.

Header on; Longform on

```
MACHINE1:TFORMAT:LABEL "ADDR  ",19,POSITIVE<terminator>
```

Header on; Longform off

```
MACH1:TFOR:LAB "ADDR  ",19,POS<terminator>
```

Header off; Longform on

```
"ADDR  ",19,POSITIVE<terminator>
```

Header off; Longform off

```
"ADDR  ",19,POS<terminator>
```

Refer to the individual commands in Parts 2 through 4 of this guide for information on the format (alpha or numeric) of the data returned from each query.

String Variables

Because there are so many ways to code numbers, the HP 1660E/ES/EP-series handles almost all data as ASCII strings. Depending on your host language, you may be able to use other types when reading in responses.

Sometimes it is helpful to use string variables in place of constants to send instructions to the HP 1660E/ES/EP-series such as including the headers with a query response.

Example

This example combines variables and constants in order to make it easier to switch from MACHINE1 to MACHINE2. In BASIC, the & operator is used for string concatenation.

```
5 OUTPUT XXX;":SELECT 1"           !Select the logic analyzer
10 LET Machine$ = ":MACHINE2"      !Send all instructions to machine 2
20 OUTPUT XXX; Machine$ & ":TYPE STATE" !Make machine a state analyzer
30      ! Assign all labels to be positive
40 OUTPUT XXX; Machine$ & ":SFORMAT:LABEL 'CHAN 1', POS"
50 OUTPUT XXX; Machine$ & ":SFORMAT:LABEL 'CHAN 2', POS"
60 OUTPUT XXX; Machine$ & ":SFORMAT:LABEL 'OUT', POS"
99 END
```

If you want to observe the headers for queries, you must bring the returned data into a string variable. Reading queries into string variables requires little attention to formatting.

Example

This command line places the output of the query in the string variable Result\$.

```
ENTER XXX;Result$
```

In the language used for this book (HP BASIC 6.2), string variables are case-sensitive and must be expressed exactly the same each time they are used.



The output of the logic analyzer may be numeric or character data depending on what is queried. Refer to the specific commands, in Part 2 of this guide, for the formats and types of data returned from queries.

Example

The following example shows logic analyzer data being returned to a string variable with headers off:

```
10 OUTPUT XXX; " :SYSTEM:HEADER OFF "  
20 DIM Rang$( 30 )  
30 OUTPUT XXX; " :MACHINE1:TWAVEFORM:RANGE? "  
40 ENTER XXX;Rang$  
50 PRINT Rang$  
60 END
```

After running this program, the controller displays: +1.00000E-05

Numeric Base

Most numeric data will be returned in the same base as shown onscreen. When the prefix #B precedes the returned data, the value is in the binary base. Likewise, #Q is the octal base and #H is the hexadecimal base. If no prefix precedes the returned numeric data, then the value is in the decimal base.

Numeric Variables

If your host language can convert from ASCII to a numeric format, then you can use numeric variables. Turning off the response headers will help you avoid accidentally trying to convert the header into a number.

Example

The following example shows logic analyzer data being returned to a numeric variable.

```
10 OUTPUT XXX; " :SYSTEM:HEADER OFF "  
20 OUTPUT XXX; " :MACHINE1:TWAVEFORM:RANGE? "  
30 ENTER XXX;Rang
```

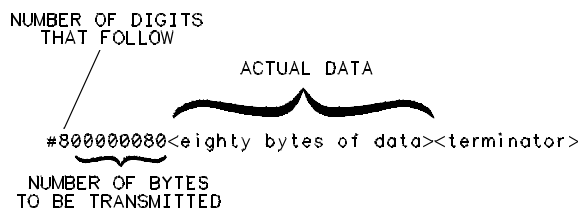
```
40 PRINT Rang  
50 END
```

This time the format of the number (such as, whether or not exponential notation is used) is dependant upon your host language. In Basic, the output will look like: 1.E-5

Definite-Length Block Response Data

Definite-length block response data, also referred to as block data, allows any type of device-dependent data to be transmitted over the system interface as a series of data bytes. Definite-length block data is particularly useful for sending large quantities of data, or, for sending 8-bit extended ASCII codes. The syntax is a pound sign (#) followed by a non-zero digit representing the number of digits in the decimal integer. Following the non zero digit is the decimal integer that states the number of 8-bit data bytes to follow. This number is followed by the actual data.

Indefinite-length block data is not supported on the HP1660E/ES-series. For example, for transmitting 80 bytes of data, the syntax would be:

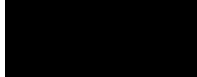


16500/BL22

Figure 1-2

Definite-length Block Response Data

The "8" states the number of digits that follow, and "00000080" states the number of bytes to be transmitted, which is 80.



Multiple Queries

You can send multiple queries to the logic analyzer within a single program message, but you must also read them back within a single program message. This can be accomplished by either reading them back into a string variable or into multiple numeric variables.

Example

You can read the result of the query `:SYSTEM:HEADER?:LONGFORM?` into the string variable `Results$` with the command:

```
ENTER XXX; Results$
```

When you read the result of multiple queries into string variables, each response is separated by a semicolon.

Example

The response of the query `:SYSTEM:HEADER?:LONGFORM?` with `HEADER` and `LONGFORM` turned on is:

```
:SYSTEM:HEADER 1;:SYSTEM:LONGFORM 1
```

If you do not need to see the headers when the numeric values are returned, then you could use numeric variables. When you are receiving numeric data into numeric variables, the headers should be turned off. Otherwise the headers may cause misinterpretation of returned data.

Example

The following program message is used to read the query `:SYSTEM:HEADERS?:LONGFORM?` into multiple numeric variables:

```
ENTER XXX; Result1, Result2
```

Instrument Status

Status registers track the current status of the logic analyzer. By checking the instrument status, you can find out whether an operation has been completed, whether the instrument is receiving triggers, and more. Chapter 6, "Status Reporting," explains how to check the status of the instrument.



Programming Over HP-IB

Introduction

This section describes the interface functions and some general concepts of the HP-IB. In general, these functions are defined by IEEE 488.1 (HP-IB bus standard). They deal with general bus management issues, as well as messages which can be sent over the bus as bus commands.

Interface Capabilities

The interface capabilities of the HP 1660E/ES/EP-series, as defined by IEEE 488.1 are SH1, AH1, T5, TE0, L3, LE0, SR1, RL1, PP0, DC1, DT1, C0, and E2.

Command and Data Concepts

The HP-IB has two modes of operation: command mode and data mode. The bus is in command mode when the ATN line is true. The command mode is used to send talk and listen addresses and various bus commands, such as a group execute trigger (GET). The bus is in the data mode when the ATN line is false. The data mode is used to convey device-dependent messages across the bus. These device-dependent messages include all of the instrument commands and responses found in chapters 8 through 36 of this manual.

Addressing

By attaching the logic analyzer printers or controller to the HP-IB port, you automatically place the HP-IB interface into "talk-only" or "talk/listen" mode. Talk-only mode must be used when you want the logic analyzer to talk directly to a printer without the aid of a controller. Addressed talk/listen mode is used when the logic analyzer will operate in conjunction with a controller. When the logic analyzer is in the addressed talk/listen mode, the following is true:

- Each device on the HP-IB resides at a particular address ranging from 0 to 30.
- The active controller specifies which devices will talk and which will listen.
- An instrument may be talk-addressed, listen-addressed, or unaddressed by the controller.

If the controller addresses the instrument to talk, it will remain configured to talk until it receives:

- an interface clear message (IFC)
- another instrument's talk address (OTA)
- its own listen address (MLA)
- a universal untalk (UNT) command.

If the controller addresses the instrument to listen, it will remain configured to listen until it receives:

- an interface clear message (IFC)
- its own talk address (MTA)
- a universal unlisten (UNL) command.

Communicating Over the HP-IB Bus (HP 9000 Series 200/300 Controller)

Because HP-IB can address multiple devices through the same interface card, the device address passed with the program message must include not only the correct instrument address, but also the correct interface code.

Interface Select Code (Selects the Interface)

Each interface card has its own interface select code. This code is used by the controller to direct commands and communications to the proper interface. The default is always "7" for HP-IB controllers.

Instrument Address (Selects the Instrument)

Each instrument on the HP-IB port must have a unique instrument address between decimals 0 and 30. The device address passed with the program message must include not only the correct instrument address, but also the correct interface select code.

Example

For example, if the instrument address is 4 and the interface select code is 7, the instruction will cause an action in the instrument at device address 704.

$$\text{DEVICE ADDRESS} = (\text{Interface Select Code}) \times 100 + (\text{Instrument Address})$$

Local, Remote, and Local Lockout

The local, remote, and remote with local lockout modes may be used for various degrees of front-panel control while a program is running. The logic analyzer will accept and execute bus commands while in local mode, and the front panel will also be entirely active. If the HP 1660E/ES/EP-series is in remote mode, the logic analyzer will go from remote to local with any front-panel activity. In remote with local lockout mode, all controls (except the power switch) are entirely locked out. Local control can only be restored by the controller.

CAUTION

Cycling the power will restore local control, but this will also reset certain HP-IB states. It also resets the logic analyzer to the power-on defaults and purges any acquired data in the acquisition memory.

The instrument is placed in remote mode by setting the REN (Remote Enable) bus control line true, and then addressing the instrument to listen. The instrument can be placed in local lockout mode by sending the local lockout (LLO) command (see SYSTEM:LOCKout in chapter 9, "Instrument Commands"). The instrument can be returned to local mode by either setting the REN line false, or sending the instrument the go to local (GTL) command.

Bus Commands

The following commands are IEEE 488.1 bus commands (ATN true). IEEE 488.2 defines many of the actions which are taken when these commands are received by the logic analyzer.

Device Clear

The device clear (DCL) or selected device clear (SDC) commands clear the input and output buffers, reset the parser, clear any pending commands, and clear the Request-OPC flag.

Group Execute Trigger (GET)

The group execute trigger command will cause the same action as the START command for Group Run: the instrument will acquire data for the active waveform and listing displays.

Interface Clear (IFC)

This command halts all bus activity. This includes unaddressing all listeners and the talker, disabling serial poll on all devices, and returning control to the system controller.



Programming Over RS-232-C

Introduction

This chapter describes the interface functions and some general concepts of the RS-232-C. The RS-232-C interface on this instrument is Hewlett-Packard's implementation of EIA Recommended Standard RS-232-C, "Interface Between Data Terminal Equipment and Data Communications Equipment Employing Serial Binary Data Interchange." With this interface, data is sent one bit at a time, and characters are not synchronized with preceding or subsequent data characters. Each character is sent as a complete entity without relationship to other events.

Interface Operation

The HP 1660E/ES/EP-series can be programmed with a controller over RS-232-C using either a minimum three-wire or extended hardware interface. The operation and exact connections for these interfaces are described in more detail in the following sections. When you are programming an HP 1660E/ES/EP-series over RS-232-C with a controller, you are normally operating directly between two DTE (Data Terminal Equipment) devices as compared to operating between a DTE device and a DCE (Data Communications Equipment) device.

When operating directly between two DTE devices, certain considerations must be taken into account. For a three-wire operation, XON/XOFF must be used to handle protocol between the devices. For extended hardware operation, protocol may be handled either with XON/XOFF or by manipulating the CTS and RTS lines of the RS-232-C link. For both three-wire and extended hardware operation, the DCD and DSR inputs to the logic analyzer must remain high for proper operation.

With extended hardware operation, a high on the CTS input allows the logic analyzer to send data, and a low disables the logic analyzer data transmission. Likewise, a high on the RTS line allows the controller to send data, and a low signals a request for the controller to disable data transmission. Because three-wire operation has no control over the CTS input, internal pull-up resistors in the logic analyzer assure that this line remains high for proper three-wire operation.

RS-232-C Cables

Selecting a cable for the RS-232-C interface depends on your specific application, and, whether you wish to use software or hardware handshake protocol. The following paragraphs describe which lines of the HP 1660E/ES/EP-series Logic Analyzer are used to control the handshake operation of the RS-232-C relative to the system. To locate the proper cable for your application, refer to the reference manual for your computer or controller. Your computer or controller manual should describe the exact handshake protocol your controller can use to operate over the RS-232-C bus. Also in this chapter you will find HP cable recommendations for hardware handshake.

Minimum Three-Wire Interface with Software Protocol

With a three-wire interface, the software (as opposed to interface hardware) controls the data flow between the logic analyzer and the controller. The three-wire interface provides no hardware means to control data flow between the controller and the logic analyzer. Therefore, XON/OFF protocol is the only means to control this data flow. The three-wire interface provides a much simpler connection between devices since you can ignore hardware handshake requirements.

The communications software you are using in your computer/controller must be capable of using XON/XOFF exclusively in order to use three-wire interface cables. For example, some communications software packages can use XON/XOFF but are also dependent on the CTS, and DSR lines being true to communicate.

The logic analyzer uses the following connections on its RS-232-C interface for three-wire communication:

- Pin 7 SGND (Signal Ground)
- Pin 2 TD (Transmit Data from logic analyzer)
- Pin 3 RD (Receive Data into logic analyzer)

The TD (Transmit Data) line from the logic analyzer must connect to the RD (Receive Data) line on the controller. Likewise, the RD line from the logic analyzer must connect to the TD line on the controller. Internal pull-up resistors in the logic analyzer assure the DCD, DSR, and CTS lines remain high when you are using a three-wire interface.

Extended Interface with Hardware Handshake

With the extended interface, both the software and the hardware can control the data flow between the logic analyzer and the controller. This allows you to have more control of data flow between devices. The logic analyzer uses the following connections on its RS-232-C interface for extended interface communication:

- Pin 7 SGND (Signal Ground)
- Pin 2 TD (Transmit Data from logic analyzer)
- Pin 3 RD (Receive Data into logic analyzer)

The additional lines you use depends on your controller's implementation of the extended hardware interface.

- Pin 4 RTS (Request To Send) is an output from the logic analyzer which can be used to control incoming data flow.
- Pin 5 CTS (Clear To Send) is an input to the logic analyzer which controls data flow from the logic analyzer.
- Pin 6 DSR (Data Set Ready) is an input to the logic analyzer which controls data flow from the logic analyzer within two bytes.
- Pin 8 DCD (Data Carrier Detect) is an input to the logic analyzer which controls data flow from the logic analyzer within two bytes.
- Pin 20 DTR (Data Terminal Ready) is an output from the logic analyzer which is enabled as long as the logic analyzer is turned on.

The TD (Transmit Data) line from the logic analyzer must connect to the RD (Receive Data) line on the controller. Likewise, the RD line from the logic analyzer must connect to the TD line on the controller.

The RTS (Request To Send), is an output from the logic analyzer which can be used to control incoming data flow. A true on the RTS line allows the controller to send data and a false signals a request for the controller to disable data transmission.

The CTS (Clear To Send), DSR (Data Set Ready), and DCD (Data Carrier Detect) lines are inputs to the logic analyzer, which control data flow from the logic analyzer. Internal pull-up resistors in the logic analyzer assure the DCD and DSR lines remain high when they are not connected. If DCD or DSR are connected to the controller, the controller must keep these lines along with the CTS line high to enable the logic analyzer to send data to the controller. A low on any one of these lines will disable the logic analyzer data transmission. Pulling the CTS line low during data transmission will stop logic analyzer data transmission immediately. Pulling either the DSR or DCD line low during data transmission will stop logic analyzer data transmission, but as many as two additional bytes may be transmitted from the logic analyzer.

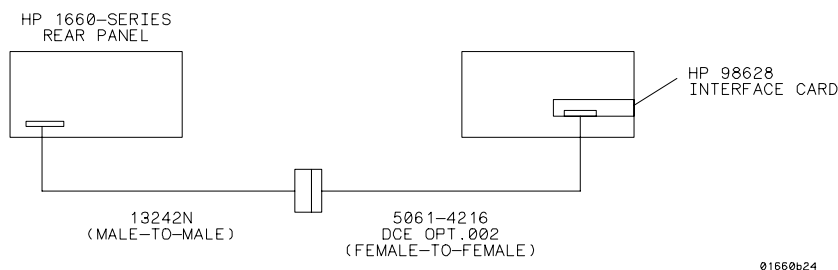
Cable Examples

HP 9000 Series 300

Figure 3-1 is an example of how to connect the HP 1660E/ES/EP-series to the HP 98628A Interface card of an HP 9000 series 300 controller. For more information on cabling, refer to the reference manual for your specific controller.

Because this example does not have the correct connections for hardware handshake, you must use the XON/XOFF protocol when connecting the logic analyzer.

Figure 3-1



Cable Example

HP Vectra Personal Computers and Compatibles

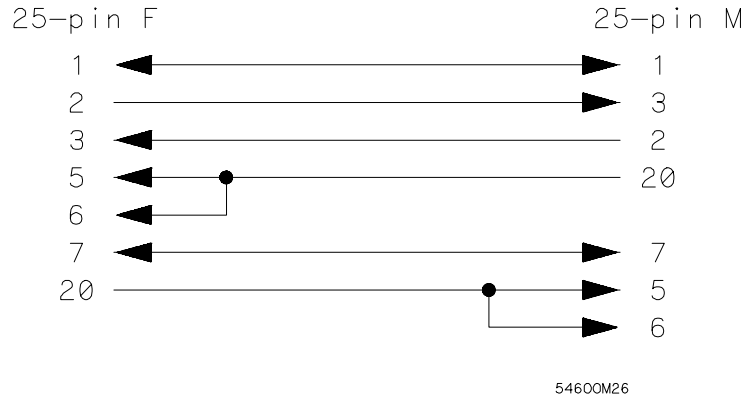
Figures 3-2 through 3-4 give examples of three cables that will work for the extended interface with hardware handshake. Keep in mind that these cables should work if your computer's serial interface supports the four common RS-232-C handshake signals as defined by the RS-232-C standard. The four common handshake signals are Data Carrier Detect (DCD), Data Terminal Ready (DTR), Clear to Send (CTS), and Ready to Send (RTS).

Figure 3-2 shows the schematic of a 25-pin female to 25-pin male cable. The following HP cables support this configuration:

- HP 17255D, DB-25(F) to DB-25(M), 1.2 meter
- HP 17255F, DB-25(F) to DB-25(M), 1.2 meter, shielded.

In addition to the female-to-male cables with this configuration, a male-to-male cable 1.2 meters in length is also available: HP 17255M, DB-25(M) to DB-25(M), 1.2 meter

Figure 3-2

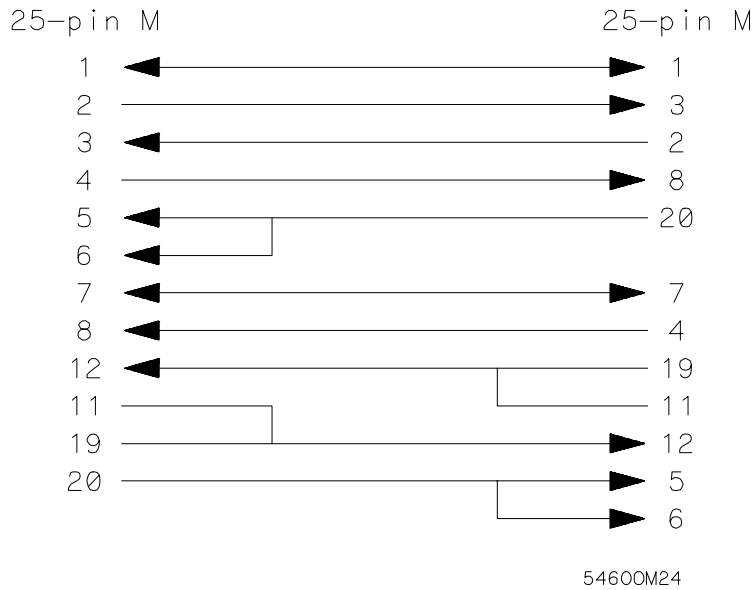


25-pin (F) to 25-pin (M) Cable

Figure 3-3 shows the schematic of a 25-pin male to 25-pin male cable 5 meters in length. The following HP cable supports this configuration:

- HP 13242G, DB-25(M) to DB-25(M), 5 meter

Figure 3-3

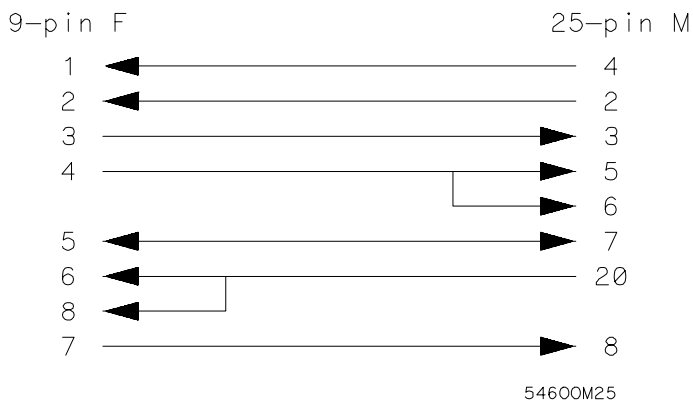


25-pin (M) to 25-pin (M) Cable

Figure 3-4 shows the schematic of a 9-pin female to 25-pin male cable. The following HP cables support this configuration:

- HP 24542G, DB-9(F) to DB-25(M), 3 meter
- HP 24542H, DB-9(F) to DB-25(M), 3 meter, shielded
- HP 45911-60009, DB-9(F) to DB-25(M), 1.5 meter

Figure 3-4



9-pin (F) to 25-pin (M) Cable

Configuring the Logic Analyzer Interface

The RS-232-C menu field in the System External I/O Menu allows you access to the RS-232-C External I/O menu where the RS-232-C interface is configured. If you are not familiar with how to configure the RS-232-C interface, refer to the logic analyzer's User's Guide.

Interface Capabilities

The baud rate, stopbits, parity, protocol, and databits must be configured exactly the same for both the controller and the logic analyzer to properly communicate over the RS-232-C bus. The RS-232-C interface capabilities of the HP 1660E/ES/EP-series are listed below:

- Baud Rate: 110, 300, 600, 1200, 2400, 4800, 9600, or 19.2k
- Stop Bits: 1, 1.5, or 2
- Parity: None, Odd, or Even
- Protocol: None or Xon/Xoff
- Data Bits: 8

Protocol

NONE With a three-wire interface, selecting NONE for the protocol does not allow the sending or receiving device to control data flow. No control over the data flow increases the possibility of missing data or transferring incomplete data.

With an extended hardware interface, selecting NONE allows a hardware handshake to occur. With hardware handshake, the hardware signals control dataflow.

Xon/Xoff Xon/Xoff stands for Transmit On/Transmit Off. With this mode, the receiver (controller or logic analyzer) controls data flow and can request that the sender (logic analyzer or controller) stop data flow. By sending XOFF (ASCII 19) over its transmit data line, the receiver requests that the sender disables data transmission. A subsequent XON (ASCII 17) allows the sending device to resume data transmission.

Data Bits

Data bits are the number of bits sent and received per character that represent the binary code of that character. Characters consist of either 7 or 8 bits, depending on the application. The HP 1660E/ES/EP-series supports 8-bit only.

8-Bit Mode Information is usually stored in bytes (8 bits at a time). With 8-bit mode, you can send and receive data just as it is stored, without the need to convert the data.

The controller and the HP 1660E/ES/EP-series must be in the same bit mode to properly communicate over the RS-232-C. This means that the controller must have the capability to send and receive 8-bit data.

See Also

For more information on the RS-232-C interface, refer to the logic analyzer's User's Guide. For information on RS-232-C voltage levels and connector pinouts, refer to the logic analyzer's Service Guide.

RS-232-C Bus Addressing

The RS-232-C address you must use depends on the computer or controller you are using to communicate with the logic analyzer.

HP Vectra Personal Computers or compatibles

If you are using an HP Vectra Personal Computer or compatible, it must have an unused serial port to which you connect the logic analyzer's RS-232-C port. The proper address for the serial port is dependent on the hardware configuration of your computer. Additionally, your communications software must be configured to address the proper serial port. Refer to your computer and communications software manuals for more information on setting up your serial port address.

HP 9000 Series 300 Controllers

Each RS-232-C interface card for the HP 9000 Series 300 Controller has its own interface select code. This code is used by the controller for directing commands and communications to the proper interface by specifying the correct interface code for the device address.

Generally, the interface select code can be any decimal value between 0 and 31, except for those interface codes which are reserved by the controller for internal peripherals and other internal interfaces. This value can be selected through switches on the interface card. For example, if your RS-232-C interface select code is 9, the device address required to communicate over the RS-232-C bus is 9. For more information, refer to the reference manual for your interface card or controller.

Lockout Command

To lockout the front-panel controls, use the Mainframe command LOCKout. When this function is on, all controls (except the power switch) are entirely locked out. Local control can only be restored by sending the :LOCKout OFF command.

CAUTION

Cycling the power will also restore local control, but this will also reset certain RS-232-C states. It also resets the logic analyzer to the power-on defaults and purges any acquired data in the acquisition memory of all the installed modules.

See Also

For more information on this command see chapter 9, "Instrument Commands."



Programming and Documentation Conventions

Introduction

This chapter covers the programming conventions used in programming the instrument, as well as the documentation conventions used in this manual. This chapter also contains a detailed description of the command tree and command tree traversal.

Truncation Rule

The truncation rule for the keywords used in headers and parameters is:

- If the long form has four or fewer characters, there is no change in the short form. When the longform has more than four characters the short form is just the first four characters, unless the fourth character is a vowel. In that case only the first three characters are used.

There are some commands that do not conform to the truncation rule by design. These will be noted in their respective description pages.

Some examples of how the truncation rule is applied to various commands are shown in table 4-1.

Table 4-1

Truncation Examples

Long Form	Short Form
OFF	OFF
DATA	DATA
START	STAR
LONGFORM	LONG
DELAY	DEL
ACCUMULATE	ACC

Infinity Representation

The representation of infinity is 9.9E+37 for real numbers and 32767 for integers. This is also the value returned when a measurement cannot be made.

Sequential and Overlapped Commands

IEEE 488.2 makes the distinction between sequential and overlapped commands. Sequential commands finish their task before the execution of the next command starts. Overlapped commands run concurrently; therefore, the command following an overlapped command may be started before the overlapped command is completed. The overlapped commands for the HP 1660E/ES/EP-series are START and STOP.

Response Generation

IEEE 488.2 defines two times at which query responses may be buffered. The first is when the query is parsed by the instrument and the second is when the controller addresses the instrument to talk so that it may read the response. The HP 1660E/ES/EP-series will buffer responses to a query when it is parsed.

Syntax Diagrams

At the beginning of each chapter in Parts 2 through 4, "Commands," is a syntax diagram showing the proper syntax for each command. All characters contained in a circle or oblong are literals, and must be entered exactly as shown. Words and phrases contained in rectangles are names of items used with the command and are described in the accompanying text of each command. Each line can only be entered from one direction as indicated by the arrow on the entry line. Any combination of commands and arguments that can be generated by following the lines in the proper direction is syntactically correct. An argument is optional if there is a path around it. When there is a rectangle which contains the word "space," a white space character must be entered. White space is optional in many other places.

Notation Conventions and Definitions

The following conventions are used in this manual when describing programming rules and example.

- < > Angular brackets enclose words or characters that are used to symbolize a program code parameter or a bus command
- ::= "is defined as." For example, A ::= B indicates that A can be replaced by B in any statement containing A.
- | "or." Indicates a choice of one element from a list. For example, A | B indicates A or B, but not both.
- . . . An ellipsis (trailing dots) is used to indicate that the preceding element may be repeated one or more times.
- [] Square brackets indicate that the enclosed items are optional.
- { } When several items are enclosed by braces and separated by vertical bars (|), one, and only one of these elements must be selected.
- xxx Three Xs after an ENTER or OUTPUT statement represent the device address required by your controller.
- <NL> Linefeed (ASCII decimal 10).

The Command Tree

The command tree (figure 4-1) shows all commands in the HP 1660E/ES/EP-series logic analyzers and the relationship of the commands to each other. Parameters are not shown in this figure. The command tree allows you to see what the HP 1660E/ES/EP-series' parser expects to receive. All legal headers can be created by traversing down the tree, adding keywords until the end of a branch has been reached.

Command Types

As shown in chapter 1, "Header Types," there are three types of headers. Each header has a corresponding command type. This section shows how they relate to the command tree.

System Commands The system commands reside at the top level of the command tree. These commands are always parsable if they occur at the beginning of a program message, or are preceded by a colon. START and STOP are examples of system commands.

Subsystem Commands Subsystem commands are grouped together under a common node of the tree, such as the MEMORY commands.

Common Commands Common commands are independent of the tree, and do not affect the position of the parser within the tree. *CLS and *RST are examples of common commands.

Tree Traversal Rules

Command headers are created by traversing down the command tree. For each group of keywords not separated by a branch, one keyword must be selected. As shown on the tree, branches are always preceded by colons. Do not add spaces around the colons. The following two rules apply to traversing the tree:

A leading colon (the first character of a header) or a <terminator> places the parser at the root of the command tree.

Executing a subsystem command places you in that subsystem until a leading colon or a <terminator> is found. The parser will stay at the colon above the keyword where the last header terminated. Any command below that point can be sent within the current program message without sending the keywords(s) which appear above them.

The following examples are written using HP BASIC 6.2 on a HP 9000 Series 200/300 Controller. The quoted string is placed on the bus, followed by a carriage return and linefeed (CRLF). The three Xs (XXX) shown in this manual after an ENTER or OUTPUT statement represents the device address required by your controller.

Example 1

In this example, the colon between SYSTEM and HEADER is necessary since SYSTEM:HEADER is a compound command. The semicolon between the HEADER command and the LONGFORM command is the required <program message unit separator>. The LONGFORM command does not need SYSTEM preceding it, since the SYSTEM:HEADER command sets the parser to the SYSTEM node in the tree.

```
OUTPUT XXX; ":SYSTEM:HEADER ON;LONGFORM ON"
```

Example 2

In the first line of this example, the subsystem selector is implied for the STORE command in the compound command. The STORE command must be in the same program message as the INITIALIZE command, since the <program message terminator> will place the parser back at the root of the command tree.

A second way to send these commands is by placing MMEMORY: before the STORE command as shown in the fourth line of this example 2.

```
OUTPUT XXX; ":MMEMORY:INITIALIZE;STORE 'FILE ', 'FILE  
DESCRIPTION' "
```

OR

```
OUTPUT XXX; ":MMEMORY:INITIALIZE "  
OUTPUT XXX; ":MMEMORY:STORE 'FILE ', 'FILE DESCRIPTION' "
```

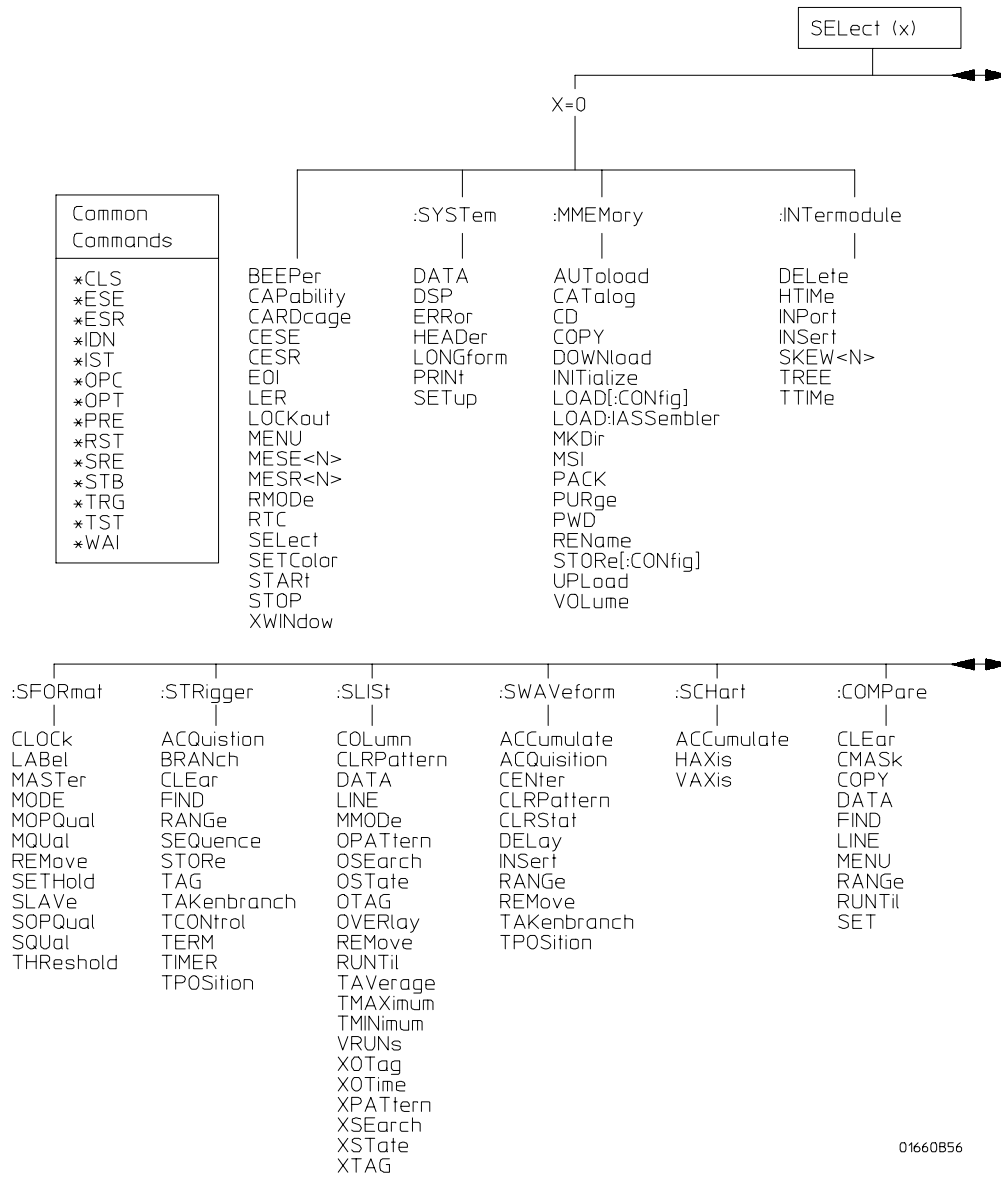
Example 3

In this example, the leading colon before SYSTEM tells the parser to go back to the root of the command tree. The parser can then see the SYSTEM:PRINT command.

```
OUTPUT XXX; ":MMEM:CATALOG?;:SYSTEM:PRINT ALL"
```

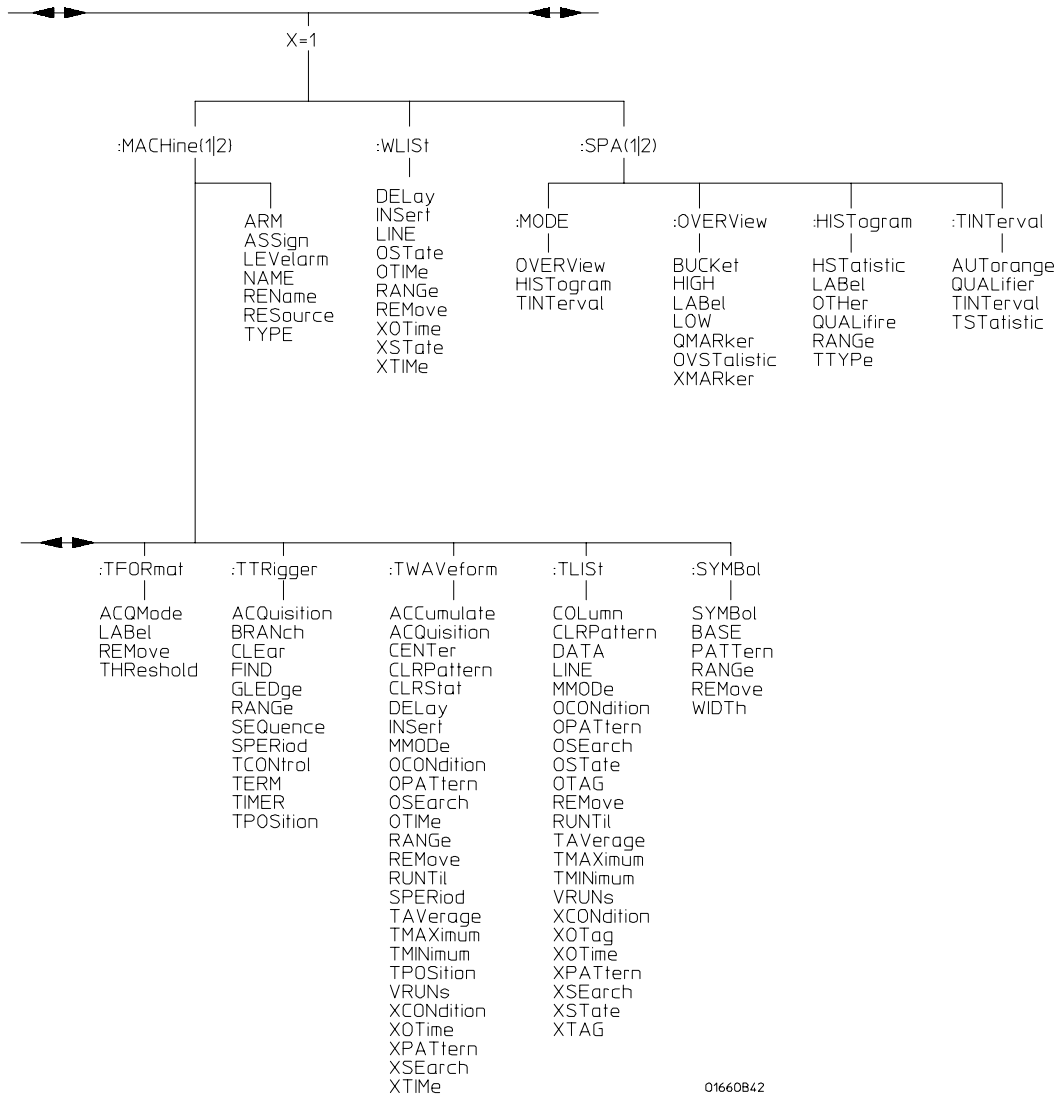
Programming and Documentation Conventions
Tree Traversal Rules

Figure 4-1



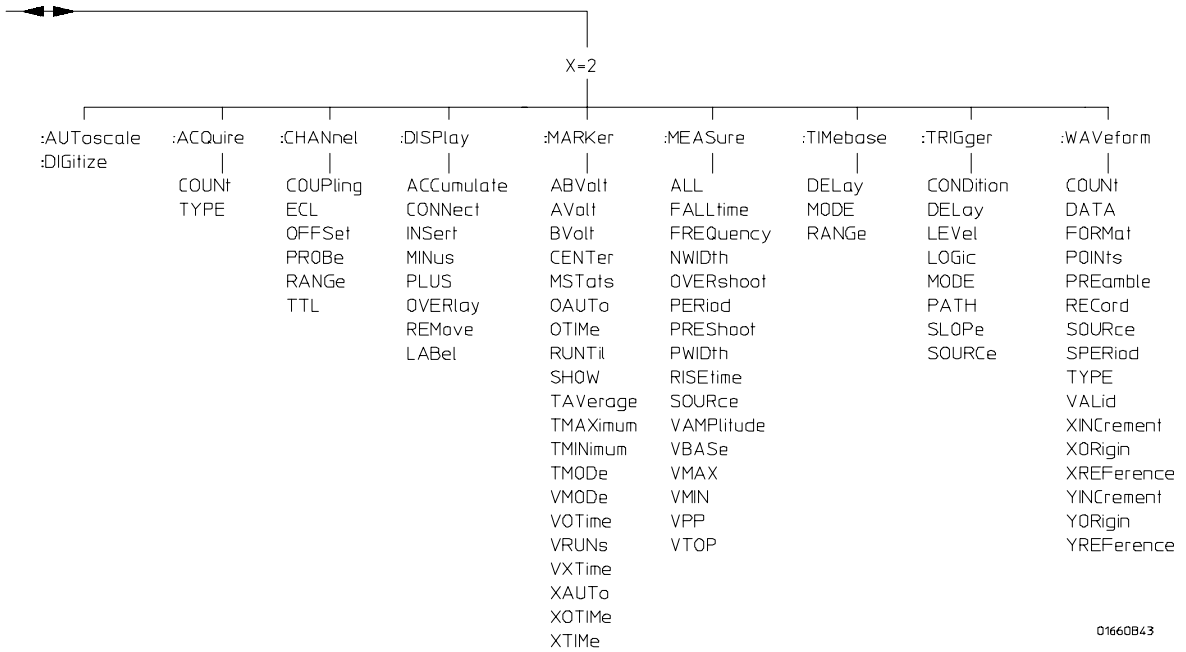
HP 1660E/ES/EP-series Command Tree

Figure 4-1 (continued)



HP 1660E/ES/EP-series Command Tree (continued)

Figure 4-1 (continued)



HP 1660E/ES/EP-series Command Tree (continued)

Table 4-2

Alphabetic Command Cross-Reference

Command	Subsystem	Command	Subsystem
ABVOLT	MARKer	DELeTe	INTErmodule
ACCumulate	SCHart, SWAVeform, TWAVeform, DISPlay	DIGitize	ROOT
ACQMode	TFORmat	DOWNload	MMEMory
ACQuisition	STRigger, SWAVeform, TTRigger, TWAVeform	DSP	SYSTem
ALL	MEASure	ECL	CHANnel
ARM	MACHine	EOI	Instrument
ASSign	MACHine	ERRor	SYSTem
AUToload	MMEMory	FALLtime	MEASure
AUTorange	TINterval	FIND	COMPare, STRigger, TTRigger
AUToscale	MODULE LEVEL	FORMat	WAVeform
AVOLT	MARKer	FREQuency	MEASure
BASE	SYMBOL	GLEdge	TTRigger
BEEPer	Instrument	HAXis	SCHart
BRANCh	STRigger, TTRigger	HEADer	SYSTem
BUCKet	OVERView	HIGH	OVERView
BVOLT	MARKer	HISTogram	SPA, MODE
CAPability	Instrument	HSTatistic	HISTogram
CARDcage	Instrument	HTIME	INTErmodule
CATalog	MMEMory	INITialize	MMEMory
CD	MMEMory	INPort	INTErmodule
CENTer	SWAVeform, TWAVeform, MARKer	INSert	INTErmodule, SWAVeform, TWAVeform, WLISt, DISPlay
CESE	Instrument	LABel	SFORmat, TFORmat, DISPlay, OVERView, HISTogram
CESR	Instrument	LER	Instrument
CLEar	COMPare, STRigger, TTRigger	LEVeL	TRIGger
CLOCK	SFORmat	LEVeLarm	MACHine
CLRPattern	SLISt, SWAVeform, TLISt, TWAVeform	LINE	COMPare, SLISt, TLISt, WLISt
CLRStat	SWAVeform, TWAVeform	LOAD	MMEMory
CMASk	COMPare	LOCKout	Instrument
COLumn	SLISt, TLISt	LOGic	TRIGger
CONDition	TRIGger	LONGform	SYSTem
CONNect	DISPlay	LOW	OVERView
COPY	COMPare, MMEMory	MACHine	Instrument
COUNT	ACQuire, WAVeforml	MASTer	SFORmat
COUPling	CHANNel	MENU	COMPare, Instrument
DATA	COMPare, SLISt, SYSTem, TLISt, WAVeform	MESE	Instrument
DELay	SWAVeform, TWAVeform, WLISt, TIMEbase. TRIGger	MESR	Instrument
		MINus	DISPlay

Table 4-2 (continued)

Alphabetic Command Cross-Reference (continued)

Command	Subsystem	Command	Subsystem
MKDir	MMEMory	RANGe	COMPare, STRigger, SWAVeform, SYMBol, TTRigger, TWAVeform, WLISt, CHANnel, TIMebase, HISTogram
MMEMory	Instrument	RECOrd	WAVeform
MMODE	SLISt, TLISt, TWAVeform	REMOve	SFORmat, SLISt, SWAVeform, SYMBol, TFORMat, TLISt, TWAVeform, DISPlay
MODE	SFORmat, TIMebase, TRIGger, SPA	REName	MACHine, MMEMory
MOPQual	SFORmat	RESourcE	MACHine
MQUal	SFORmat	RISetime	MEASure
MSI	MMEMory	RMODE	Instrument
MSTATs	MARKer	RTC	Instrument
NAME	MACHine	RUNTil	COMPare, SLISt, TLISt, TWAVeform, MARKer
NWIDth	MEASure	SElect	Instrument
OAUto	MARKer	SEQuence	STRigger, TTRigger
OCONdition	TLISt, TWAVeform	SET	COMPare
OFFSet	CHANnel	SETColor	Instrument
OMARKer	OVERView	SETHold	SFORmat
OPATtern	SLISt, TLISt, TWAVeform	SETup	SYSTem
OSEarch	SLISt, TLISt, TWAVeform	SHOW	MARKer
OSTate	SLISt, TLISt, WLISt	SKEW	INTermodule
OTAG	SLISt, TLISt	SLAVe	SFORmat
OTHer	HISTogram	SLOPe	TRIGger
OTIME	TWAVeform, WLISt, MARKer	SOPQual	SFORmat
OVERlay	SLISt, DISPlay	SOURce	MEASure, TRIGger, WAVeform
OVERshoot	MEASure	SPA	Instrument
OVERView	SPA	SPERiod	TTRIGger, TWAVeform, WAVeform
OVStatistic	OVERView	SQUal	SFORmat
PACK	MMEMory	STARt	Instrument
PATH	TRIGger	STOP	Instrument
PATtern	SYMBol	STORe	MMEMory, STRigger
PERiod	MEASure	TAG	STRigger
PLUS	DISPlay	TAKenbranc	STRigger, SWAVeform
POINts	WAVeform	TAVerage	SLISt, TLISt, TWAVeform, MARKer
PREamble	WAVeform	TCONtrol	STRigger, TTRigger
PREShoot	MEASure	TERM	STRigger, TTRigger
PRINt	SYSTem	THReshold	SFORmat, TFORMat
PROBe	CHANnel	TIMER	STRigger, TTRigger
PURGe	MMEMory	TINTerval	SPA, MODE, TINTerval
PWD	MMEMory		
PWIDth	MEASure		
QUALifier	HISTogram, TINTerval		

Table 4-2 (continued)

Alphabetic Command Cross-Reference (continued)

Command	Subsystem	Command	Subsystem
TMAXimum	SLISt, TLISt, TWAVeform, MARKer	VXTime	MARKer
TMINimum	SLISt, TLISt, TWAVeform, MARKer	WIDTH	SYMBOL
TMODE	MARKer	WLISt	Instrument
TPOSITION	STRigger, SWAVeform, TTRigger, TWAVeform	XAUTO	MARKer
TREE	INTERmodule	XCONDITION	TLISt, TWAVeform
TSTATistic	TINTERval	XINCRment	WAVEform
TTIME	INTERmodule	XMARKer	OVERView
TTL	CHANnel	XORigin	WAVEform
TTYPe	HISTogram	XOTag	SLISt, TLISt
TYPE	MACHine	XOTime	SLISt, TLISt, TWAVeform, WLISt, MARKer
UPLoad	MMEMory	XPATtern	SLISt, TLISt, TWAVeform
VALid	WAVEform	XREFrence	WAVEform
VAMPLitude	MEASure	XSEarch	SLISt, TLISt, TWAVeform
VAXis	SCHart	XSTATE	SLISt, TLISt, WLISt
VBASE	MEASure	XTAG	SLISt, TLISt
VMAX	MEASure	XTIME	TWAVeform, WLISt, MARKer
VMIN	MEASure	YINCRement	WAVEform
VMODE	MARKer	YORigin	WAVEform
VOLUME	MMEMory	YREFerence	WAVEform
VOTime	MARKer	XWINDow	Instrument
VPP	MEASure		
VRUNs	SLISt, TLISt, TWAVeform, MARKer		
VTOP	MEASure		



Command Set Organization

The command set for the HP 1660E/ES/EP-series logic analyzers is divided into 28 separate groups: common commands, instrument commands, system commands and 25 sets of subsystem commands. Each of the 28 groups of commands is described in a separate chapter in Parts 2 through 4, "Commands." Each of the chapters contain a brief description of the subsystem, a set of syntax diagrams for those commands, and finally, the commands for that subsystem in alphabetical order. The commands are shown in the long form and short form using upper and lowercase letters. As an example `AUTOload` indicates that the long form of the command is `AUTOLOAD` and the short form of the command is `AUT`. Each of the commands contain a description of the command, its arguments, and the command syntax.

Subsystems

There are 25 subsystems in this instrument. In the command tree (figure 4-1) they are shown as branches, with the node above showing the name of the subsystem. Only one subsystem may be selected at a time. At power on, the command parser is set to the root of the command tree; therefore, no subsystem is selected. The 25 subsystems in the HP 1660E/ES/EP-series logic analyzers are:

- `SYSTEM` - controls some basic functions of the instrument.
- `MMEMORY` - provides access to the internal disk drive.
- `INTERMODULE` - provides access to the Intermodule bus (IMB).
- `MACHINE` - provides access to analyzer functions and subsystems.
- `WLIST` - allows access to the mixed (timing/state) functions.
- `SFORMAT` - allows access to the state format functions.
- `STRIGGER` - allows access to the state trigger functions.
- `SLIST` - allows access to the state listing functions.
- `SWAVEFORM` - allows access to the state waveforms functions.
- `SCHART` - allows access to the state chart functions.
- `COMPARE` - allows access to the compare functions.

- TFOrmat - allows access to the timing format functions.
- TTriGger - allows access to the timing trigger functions.
- TWAVeform - allows access to the timing waveforms functions.
- TLISt - allows access to the timing listing functions.
- SYMBol - allows access to the symbol specification functions.
- ACQuire - sets up acquisition conditions for the digitize function.
- CHANnel - controls the oscilloscope channel display and vertical axis.
- DISPlay - allows data to be displayed.
- MARKer - allows access to the oscilloscope's time and voltage markers.
- MEASure - allows automatic parametric measurements.
- TIMEbase - controls the oscilloscope timebase and horizontal axis.
- TRIGger - allows access to the oscilloscope's trigger functions.
- SPA - provides access to software profiling functions and subsystems.
- WAVeform - used to transfer waveform data from the oscilloscope to a controller.

Program Examples

The program examples in the following chapters and chapter 43, "Programming Examples," were written on an HP 9000 Series 200/300 controller using the HP BASIC 6.2 language. The programs always assume a generic address for the HP 1660E/ES/EP-series logic analyzers of XXX.

In the examples, you should pay special attention to the ways in which the command and/or query can be sent. Keywords can be sent using either the long form or short form (if one exists for that word). With the exception of some string parameters, the parser is not case-sensitive. Uppercase and lowercase letters may be mixed freely. System commands like HEADer and LONGform allow you to dictate what forms the responses take, but they have no affect on how you must structure your commands and queries.

Example

The following commands all set the Timing Waveform Delay to 100 ms.

Keywords in long form, numbers using the decimal format.

```
OUTPUT XXX; ":MACHINE1:TWAVEFORM:DELAY .1"
```

Keywords in short form, numbers using an exponential format.

```
OUTPUT XXX; ":MACH1:TWAV:DEL 1E-1"
```

Keywords in short form using lowercase letters, numbers using a suffix.

```
OUTPUT XXX; ":mach1:twav:del 100ms"
```

In these examples, the colon shown as the first character of the command is optional on the HP 1660E/ES/EP-series. The space between DELay and the argument is required.



Message Communication and System Functions

Introduction

This chapter describes the operation of instruments that operate in compliance with the IEEE 488.2 (syntax) standard. It is intended to give you enough basic information about the IEEE 488.2 Standard to successfully program the logic analyzer. You can find additional detailed information about the IEEE 488.2 Standard in ANSI/IEEE Std 488.2-1987, "IEEE Standard Codes, Formats, Protocols, and Common Commands."

The HP 1660E/ES/EP-series is designed to be compatible with other Hewlett-Packard IEEE 488.2 compatible instruments. Instruments that are compatible with IEEE 488.2 must also be compatible with IEEE 488.1 (HP-IB bus standard); however, IEEE 488.1 compatible instruments may or may not conform to the IEEE 488.2 standard. The IEEE 488.2 standard defines the message exchange protocols by which the instrument and the controller will communicate. It also defines some common capabilities, which are found in all IEEE 488.2 instruments. This chapter also contains a few items which are not specifically defined by IEEE 488.2, but deal with message communication or system functions.

The syntax and protocol for RS-232-C program messages and response messages for the HP 1660E/ES/EP-series are structured very similar to those described by 488.2. In most cases, the same structure shown in this chapter for 488.2 will also work for RS-232-C. Because of this, no additional information has been included for RS-232-C.

Protocols

The protocols of IEEE 488.2 define the overall scheme used by the controller and the instrument to communicate. This includes defining when it is appropriate for devices to talk or listen, and what happens when the protocol is not followed.

Functional Elements

Before proceeding with the description of the protocol, a few system components should be understood.

Input Buffer The input buffer of the instrument is the memory area where commands and queries are stored prior to being parsed and executed. It allows a controller to send a string of commands to the instrument which could take some time to execute, and then proceed to talk to another instrument while the first instrument is parsing and executing commands.

Output Queue The output queue of the instrument is the memory area where all output data (<response messages>) are stored until read by the controller.

Parser The instrument's parser is the component that interprets the commands sent to the instrument and decides what actions should be taken. "Parsing" refers to the action taken by the parser to achieve this goal. Parsing and executing of commands begins when either the instrument recognizes a <program message terminator> (defined later in this chapter) or the input buffer becomes full. If you wish to send a long sequence of commands to be executed and then talk to another instrument while they are executing, you should send all the commands before sending the <program message terminator>.

Protocol Overview

The instrument and controller communicate using <program message>s and <response message>s. These messages serve as the containers into which sets of program commands or instrument responses are placed. <program message>s are sent by the controller to the instrument, and <response message>s are sent from the instrument to the controller in response to a query message. A <query message> is defined as being a <program message> which contains one or more queries. The instrument will only talk when it has received a valid query message, and therefore has something to say. The controller should only attempt to read a response after sending a complete query message, but before sending another <program message>. The basic rule to remember is that the instrument will only talk when prompted to, and it then expects to talk before being told to do something else.

Protocol Operation

When the instrument is turned on, the input buffer and output queue are cleared, and the parser is reset to the root level of the command tree.

The instrument and the controller communicate by exchanging complete <program message>s and <response message>s. This means that the controller should always terminate a <program message> before attempting to read a response. The instrument will terminate <response message>s except during a hardcopy output.

If a query message is sent, the next message passing over the bus should be the <response message>. The controller should always read the complete <response message> associated with a query message before sending another <program message> to the same instrument.

The instrument allows the controller to send multiple queries in one query message. This is referred to as sending a "compound query." As will be noted later in this chapter, multiple queries in a query message are separated by semicolons. The responses to each of the queries in a compound query will also be separated by semicolons.

Commands are executed in the order they are received.

Protocol Exceptions

If an error occurs during the information exchange, the exchange may not be completed in a normal manner. Some of the protocol exceptions are shown below.

Command Error A command error will be reported if the instrument detects a syntax error or an unrecognized command header.

Execution Error An execution error will be reported if a parameter is found to be out of range, or if the current settings do not allow execution of a requested command or query.

Device-specific Error A device-specific error will be reported if the instrument is unable to execute a command for a strictly device dependent reason.

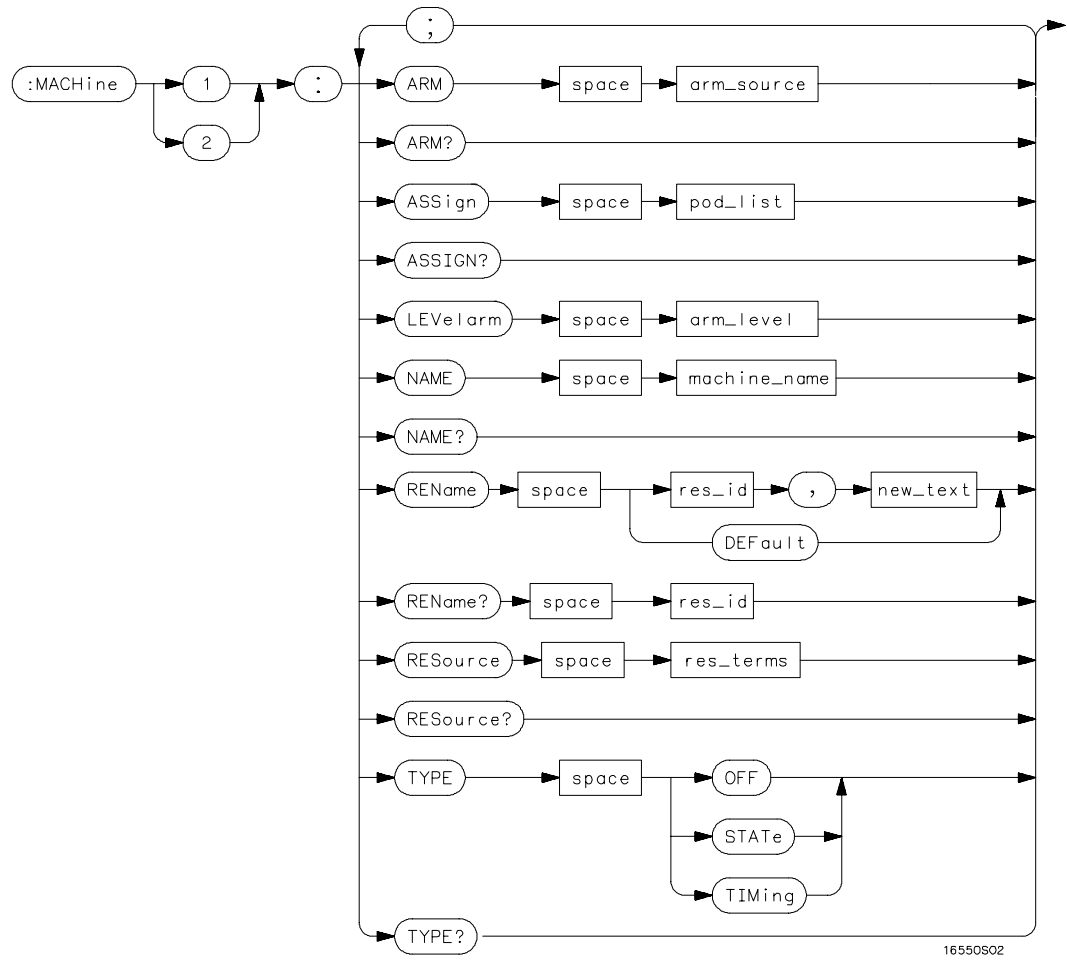
Query Error A query error will be reported if the proper protocol for reading a query is not followed. This includes the interrupted and unterminated conditions described in the following paragraphs.

Syntax Diagrams

The example syntax diagram in this chapter are similar to the syntax diagrams in the IEEE 488.2 specification. Commands and queries are sent to the instrument as a sequence of data bytes. The allowable byte sequence for each functional element is defined by the syntax diagram that is shown.

The allowable byte sequence can be determined by following a path in the syntax diagram. The proper path through the syntax diagram is any path that follows the direction of the arrows. If there is a path around an element, that element is optional. If there is a path from right to left around one or more elements, that element or those elements may be repeated as many times as desired.

Figure 5-1



Example syntax diagram

Syntax Overview

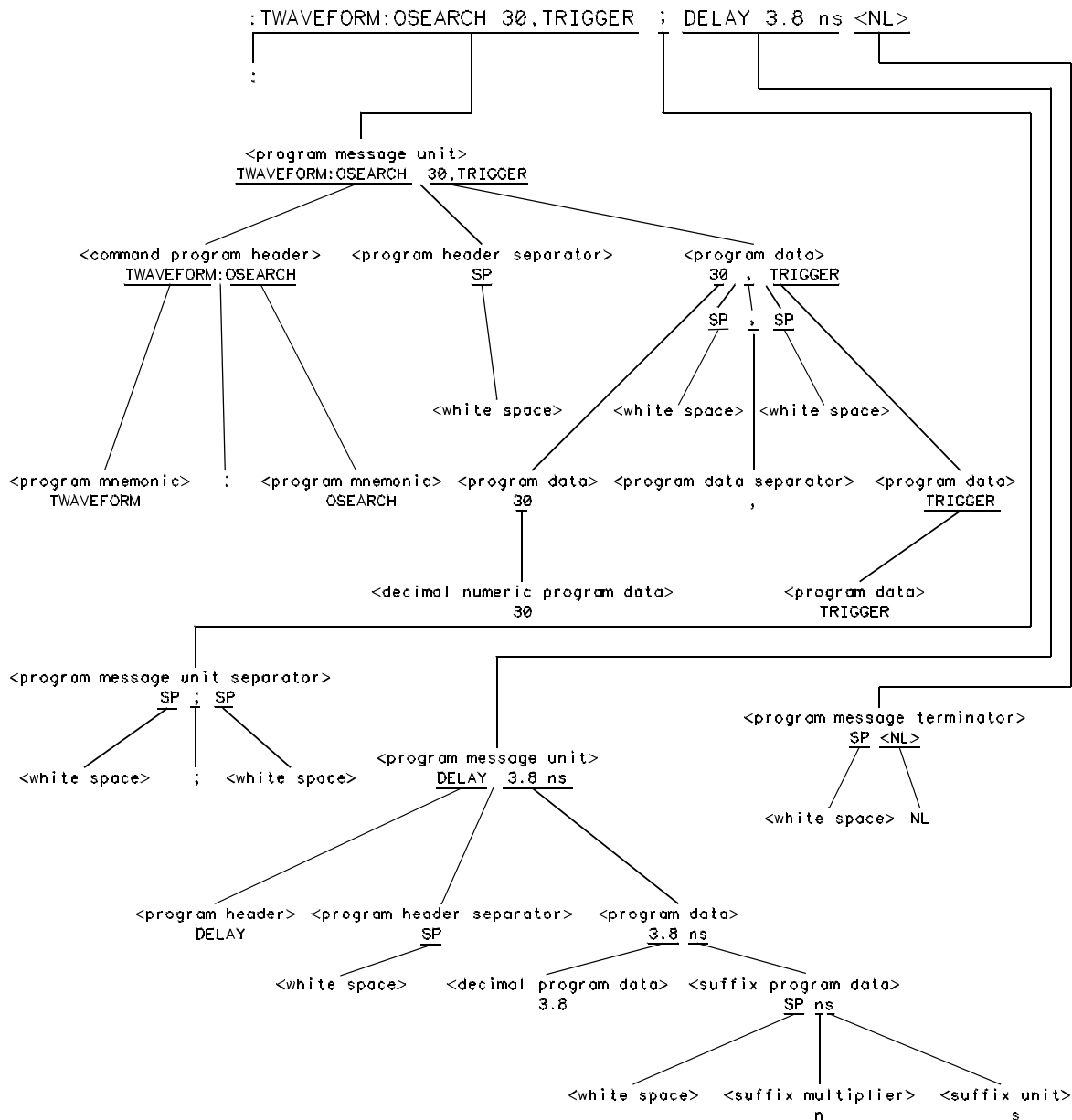
This overview is intended to give a quick glance at the syntax defined by IEEE 488.2. It will help you understand many of the things about the syntax you need to know.

IEEE 488.2 defines the blocks used to build messages which are sent to the instrument. A whole string of commands can therefore be broken up into individual components.

Figure 5-1 is an example syntax diagram and figure 5-2 shows a breakdown of an example <program message>. There are a few key items to notice:

- A semicolon separates commands from one another. Each <program message unit> serves as a container for one command. The <program message unit>s are separated by a semicolon.
- A <program message> is terminated by a <NL> (new line). The recognition of the <program message terminator>, or <PMT>, by the parser serves as a signal for the parser to begin execution of commands. The <PMT> also affects command tree traversal (Chapter 4, "Programming and Documentation Conventions").
- Multiple data parameters are separated by a comma.
- The first data parameter is separated from the header with one or more spaces.
- The header MACHine1:ASSign 2,3 is an example of a compound header. It places the parser in the machine subsystem until the <NL> is encountered.
- A colon preceding the command header returns you to the top of the command tree.

Figure 5-2



16500/BL31

<program message> Parse Tree

Upper/Lower Case Equivalence

Upper and lower case letters are equivalent. The mnemonic `SINGLE` has the same semantic meaning as the mnemonic `single`.

<white space>

<white space> is defined to be one or more characters from the ASCII set of 0 - 32 decimal, excluding 10 decimal (NL). <white space> is used by several instrument listening components of the syntax. It is usually optional, and can be used to increase the readability of a program.

Suffix Multiplier The suffix multipliers that the instrument will accept are shown in table 5-1.

Table 5-1

<suffix mult>

Value	Mnemonic
1E18	EX
1E15	PE
1E12	T
1E9	G
1E6	MA
1E3	K
1E-3	M
1E-6	U
1E-9	N
1E-12	P
1E-15	F
1E-18	A

Suffix Unit The suffix units that the instrument will accept are shown in table 5-2.

Table 5-2

<suffix unit>

Suffix	Referenced Unit
V	Volt
S	Second



Status Reporting

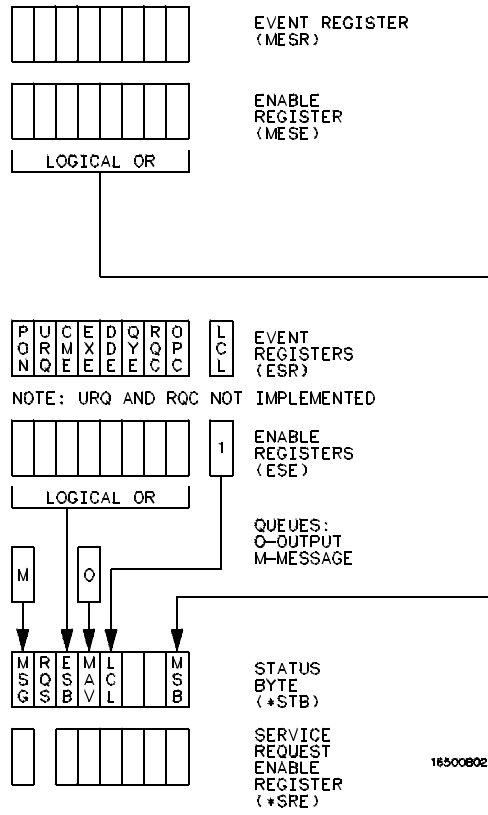
Introduction

Status reporting allows you to use information about the instrument in your programs, so that you have better control of the measurement process. For example, you can use status reporting to determine when a measurement is complete, thus controlling your program, so that it does not get ahead of the instrument. This chapter describes the status registers, status bytes and status bits defined by IEEE 488.2 and discusses how they are implemented in the HP 1660E/ES/EP-series logic analyzers. Also in this chapter is a sample set of steps you use to perform a serial poll over HP-IB.

The status reporting feature available over the bus is the serial poll. IEEE 488.2 defines data structures, commands, and common bit definitions. There are also instrument-defined structures and bits.

The bits in the status byte act as summary bits for the data structures residing behind them. In the case of queues, the summary bit is set if the queue is not empty. For registers, the summary bit is set if any enabled bit in the event register is set. The events are enabled via the corresponding event enable register. Events captured by an event register remain set until the register is read or cleared. Registers are read with their associated commands. The *CLS command clears all event registers and all queues except the output queue. If *CLS is sent immediately following a <program message terminator>, the output queue will also be cleared.

Figure 6-1



Status Byte Structures and Concepts

Event Status Register

The Event Status Register is an IEEE 488.2 defined register. The bits in this register are "latched." That is, once an event happens which sets a bit, that bit will only be cleared if the register is read.

Service Request Enable Register

The Service Request Enable Register is an 8-bit register. Each bit enables the corresponding bit in the status byte to cause a service request. The sixth bit does not logically exist and is always returned as a zero. To read and write to this register, use the *SRE? and *SRE commands.

Bit Definitions

The following mnemonics are used in figure 6-1 and in chapter 8, "Common Commands".

MAV - message available

Indicates whether there is a response in the output queue.

ESB - event status bit

Indicates if any of the conditions in the Standard Event Status Register are set and enabled.

MSS - master summary status

Indicates whether the device has a reason for requesting service. This bit is returned for the *STB? query.

RQS - request service

Indicates if the device is requesting service. This bit is returned during a serial poll. RQS will be set to 0 after being read via a serial poll (MSS is not reset by *STB?).

MSG - message

Indicates whether there is a message in the message queue (Not implemented in the HP 1660E/ES/EP-series).

PON - power on

Indicates power has been turned on.

URQ - user request

Always returns a 0 from the HP 1660E/ES/EP-series.

CME - command error

Indicates whether the parser detected an error.

The error numbers and strings for CME, EXE, DDE, and QYE can be read from a device-defined queue (which is not part of IEEE 488.2) with the query :SYSTEM:ERROR?.

EXE - execution error

Indicates whether a parameter was out of range, or inconsistent with current settings.

DDE - device specific error

Indicates whether the device was unable to complete an operation for device dependent reasons.

QYE - query error

Indicates whether the protocol for queries has been violated.

RQC - request control

Always returns a 0 from the HP 1660E/ES/EP-series.

OPC - operation complete

Indicates whether the device has completed all pending operations. OPC is controlled by the *OPC common command. Because this command can appear after any other command, it serves as a general-purpose operation complete message generator.

LCL - remote to local

Indicates whether a remote to local transition has occurred.

MSB - module summary bit

Indicates that an enable event in one of the modules Status registers has occurred.

Key Features

A few of the most important features of Status Reporting are listed in the following paragraphs.

Operation Complete

The IEEE 488.2 structure provides one technique that can be used to find out if any operation is finished. The *OPC command, when sent to the instrument after the operation of interest, will set the OPC bit in the Standard Event Status Register. If the OPC bit and the RQS bit have been enabled, a service request will be generated. The commands that affect the OPC bit are the overlapped commands.

Example

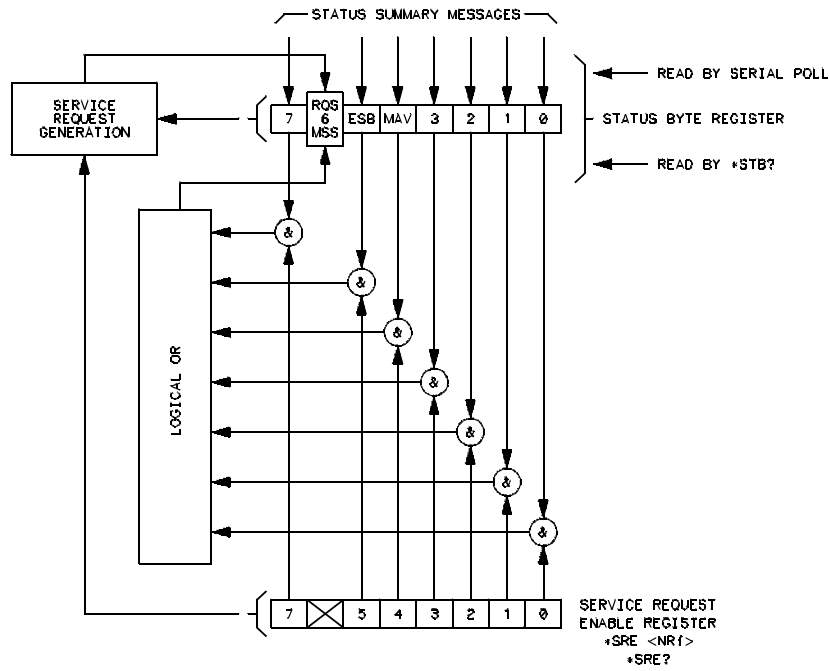
```
OUTPUT XXX; "*SRE 32 ; *ESE 1" !enables an OPC service request
```

Status Byte

The Status Byte contains the basic status information which is sent over the bus in a serial poll. If the device is requesting service (RQS set), and the controller serial-polls the device, the RQS bit is cleared. The MSS (Master Summary Status) bit (read with *STB?) and other bits of the Status Byte are not be cleared by reading them. Only the RQS bit is cleared when read.

The Status Byte is cleared with the *CLS common command.

Figure 6-2



16500/BL24

Service Request Enabling

Serial Poll

The HP 1660E/ES/EP-series supports the IEEE 488.1 serial poll feature. When a serial poll of the instrument is requested, the RQS bit is returned on bit 6 of the status byte.

Using Serial Poll (HP-IB)

This example will show how to use the service request by conducting a serial poll of all instruments on the HP-IB bus. In this example, assume that there are two instruments on the bus: a logic analyzer at address 7 and a printer at address 1.

The program command for serial poll using HP BASIC 6.2 is `Stat = SPOLL(707)`. The address 707 is the address of the logic analyzer in the this example. The command for checking the printer is `Stat = SPOLL(701)` because the address of that instrument is 01 on bus address 7. This command reads the contents of the HP-IB Status Register into the variable called Stat. At that time bit 6 of the variable Stat can be tested to see if it is set (bit 6 = 1).

The serial poll operation can be conducted in the following manner:

- 1** Enable interrupts on the bus. This allows the controller to see the SRQ line.
- 2** Disable interrupts on the bus.
- 3** If the SRQ line is high (some instrument is requesting service) then check the instrument at address 1 to see if bit 6 of its status register is high.
- 4** To check whether bit 6 of an instruments status register is high, use the following BASIC statement: `IF BIT (Stat, 6) THEN`
- 5** If bit 6 of the instrument at address 1 is not high, then check the instrument at address 7 to see if bit 6 of its status register is high.
- 6** As soon as the instrument with status bit 6 high is found check the rest of the status bits to determine what is required.

The `SPOLL(707)` command causes much more to happen on the bus than simply reading the register. This command clears the bus automatically, addresses the talker and listener, sends SPE (serial poll enable) and SPD (serial poll disable) bus commands, and reads the data. For more information about serial poll, refer to your controller manual, and programming language reference manuals.

After the serial poll is completed, the RQS bit in the HP 1660E/ES/EP-series Status Byte Register will be reset if it was set. Once a bit in the Status Byte Register is set, it will remain set until the status is cleared with a `*CLS` command, or the instrument is reset.



Error Messages

Introduction

This chapter lists the error messages that relate to the HP 1660E/ES/EP-series logic analyzers.

Device Dependent Errors

- 200 Label not found
- 201 Pattern string invalid
- 202 Qualifier invalid
- 203 Data not available
- 300 RS-232-C error

Command Errors

- 100 Command error (unknown command)(generic error)
- 101 Invalid character received
- 110 Command header error
- 111 Header delimiter error
- 120 Numeric argument error
- 121 Wrong data type (numeric expected)
- 123 Numeric overflow
- 129 Missing numeric argument
- 130 Non numeric argument error (character,string, or block)
- 131 Wrong data type (character expected)
- 132 Wrong data type (string expected)
- 133 Wrong data type (block type #D required)
- 134 Data overflow (string or block too long)
- 139 Missing non numeric argument
- 142 Too many arguments
- 143 Argument delimiter error
- 144 Invalid message unit delimiter

Execution Errors


- 200 Can Not Do (generic execution error)
 - 201 Not executable in Local Mode
 - 202 Settings lost due to return-to-local or power on
 - 203 Trigger ignored
 - 211 Legal command, but settings conflict
 - 212 Argument out of range
 - 221 Busy doing something else
 - 222 Insufficient capability or configuration
 - 232 Output buffer full or overflow
 - 240 Mass Memory error (generic)
 - 241 Mass storage device not present
 - 242 No media
 - 243 Bad media
 - 244 Media full
 - 245 Directory full
 - 246 File name not found
 - 247 Duplicate file name
 - 248 Media protected
-

Internal Errors

- 300 Device Failure (generic hardware error)
 - 301 Interrupt fault
 - 302 System Error
 - 303 Time out
 - 310 RAM error
 - 311 RAM failure (hardware error)
 - 312 RAM data loss (software error)
 - 313 Calibration data loss
 - 320 ROM error
-

- 321 ROM checksum
 - 322 Hardware and Firmware incompatible
 - 330 Power on test failed
 - 340 Self Test failed
 - 350 Too Many Errors (Error queue overflow)
-

Query Errors

- 400 Query Error (generic)
 - 410 Query INTERRUPTED
 - 420 Query UNTERMINATED
 - 421 Query received. Indefinite block response in progress
 - 422 Addressed to Talk, Nothing to Say
 - 430 Query DEADLOCKED
- 

Mainframe Commands



Common Commands

Introduction

The common commands are defined by the IEEE 488.2 standard. These commands must be supported by all instruments that comply with this standard. Refer to figure 8-1 and table 8-1 for the common commands syntax diagram.

The common commands control some of the basic instrument functions; such as, instrument identification and reset, how status is read and cleared, and how commands and queries are received and processed by the instrument. The common commands are:

- *CLS
- *ESE
- *ESR
- *IDN
- *IST
- *OPC
- *OPT
- *PRE
- *RST
- *SRE
- *STB
- *TRG
- *TST
- *WAI

Common commands can be received and processed by the HP 1660E/ES/EP-series logic analyzers, whether they are sent over the bus as separate program messages or within other program messages. If an instrument subsystem has been selected and a common command is received by the instrument, the logic analyzer will remain in the selected subsystem.

Example

If the program message in this example is received by the logic analyzer, it will initialize the disk and store the file and clear the status information. This is not the case if some other type of command is received within the program message.

```
" :MMEMORY:INITIALIZE;*CLS; STORE 'FILE ', 'DESCRIPTION' "
```

Example

This program message initializes the disk, selects the module in slot A, then stores the file. In this example, :MMEMORY must be sent again to re-enter the memory subsystem and store the file.

```
" :MMEMORY:INITIALIZE;:SELECT 1;:MMEMORY:STORE 'FILE ', 'DESCRIPTION' "
```

Status Registers

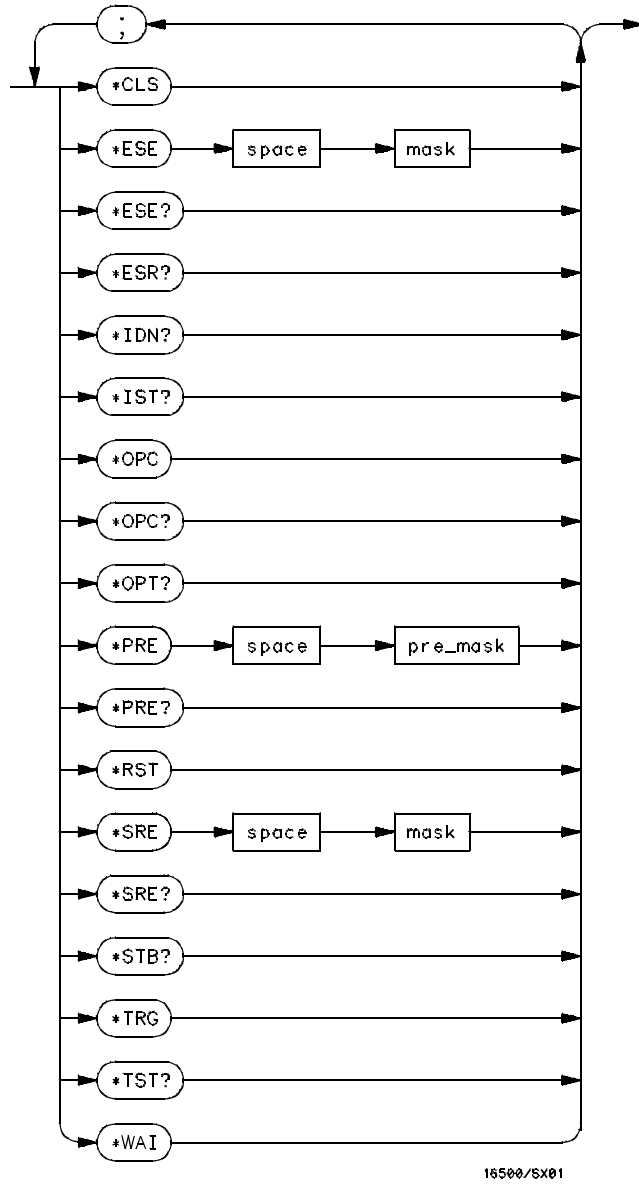
Each status register has an associated status enable (mask) register. By setting the bits in the status enable register you can select the status information you wish to use. Any status bits that have not been masked (enabled in the enable register) will not be used to report status summary information to bits in other status registers.

Refer to chapter 6, "Status Reporting," for a complete discussion of how to read the status registers and how to use the status information available from this instrument.

Table 8-1**Common Command Parameter Values**

Parameter	Values
mask	An integer, 0 through 255.
pre_mask	An integer, 0 through 65535.

Figure 8-1



Common Commands Syntax Diagram

*CLS (Clear Status)

Command

*CLS

The *CLS common command clears all event status registers, queues, and data structures, including the device defined error queue and status byte. If the *CLS command immediately follows a <program message terminator>, the output queue and the MAV (Message Available) bit will be cleared. Refer to chapter 6, "Status Reporting," for a complete discussion of status.

Example

OUTPUT XXX; "*CLS"

*ESE (Event Status Enable)

Command

*ESE <mask>

The *ESE command sets the Standard Event Status Enable Register bits. The Standard Event Status Enable Register contains a bit to enable the status indicators detailed in table 8-2. A 1 in any bit position of the Standard Event Status Enable Register enables the corresponding status in the Standard Event Status Enable Register. Refer to Chapter 6, "Status Reporting" for a complete discussion of status.

<mask> An integer from 0 to 255.

Example

In this example, the *ESE 32 command will enable CME (Command Error), bit 5 of the Standard Event Status Enable Register. Therefore, when a command error occurs, the event summary bit (ESB) in the Status Byte Register will also be set.

OUTPUT XXX; "*ESE 32"

Query

*ESE?

The *ESE query returns the current contents of the enable register.

Common Commands
***ESR (Event Status Register)**

Returned Format <mask><NL>

Example OUTPUT XXX; "*ESE?"

Table 8-2 Standard Event Status Enable Register

Bit Position	Bit Weight	Enables
7	128	PON - Power On
6	64	URQ - User Request
5	32	CME - Command Error
4	16	EXE - Execution Error
3	8	DDE - Device Dependent Error
2	4	QYE - Query Error
1	2	RQC - Request Control
0	1	OPC - Operation Complete

***ESR (Event Status Register)**

Query *ESR?

The *ESR query returns the contents of the Standard Event Status Register. Reading the register clears the Standard Event Status Register.

Returned Format <status><NL>
 <status> An integer from 0 to 255.

Example If a command error has occurred, and bit 5 of the ESE register is set, the string variable Esr_event\$ will have bit 5 (the CME bit) set.

10 OUTPUT XXX;"*ESE 32"	!Enables bit 5 of the status register
20 OUTPUT XXX;"*ESR?"	!Queries the status register
30 ENTER XXX; Esr_event\$!Reads the query buffer

Table 8-3 shows the Standard Event Status Register. The table details the meaning of each bit position in the Standard Event Status Register and the bit weight. When you read Standard Event Status Register, the value returned is the total bit weight of all the bits that are high at the time you read the byte.

Table 8-3

Standard Event Status Register

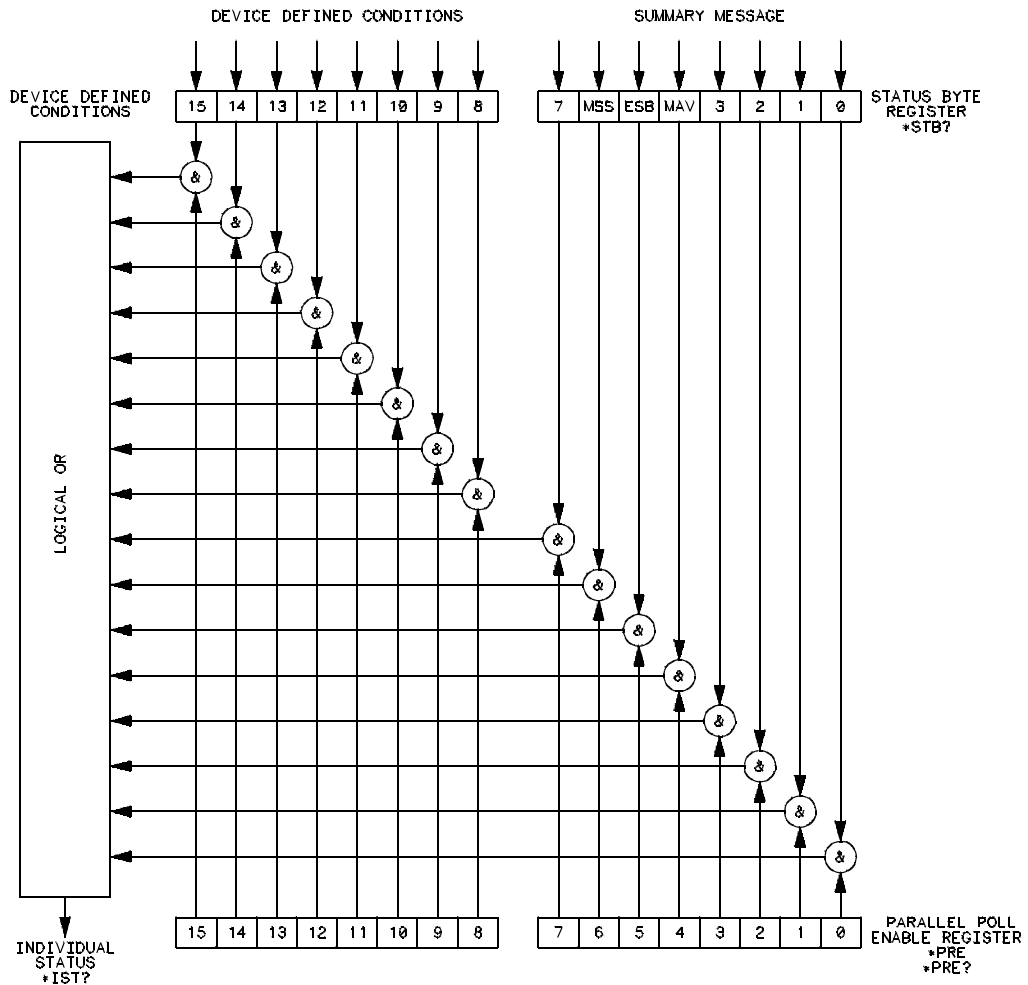
Bit Position	Bit Weight	Bit Name	Condition
7	128	PON	0 = register read - not in power up mode 1 = power up
6	64	URQ	0 = user request - not used - always zero
5	32	CME	0 = no command errors 1 = a command error has been detected
4	16	EXE	0 = no execution errors 1 = an execution error has been detected
3	8	DDE	0 = no device dependent error has been detected 1 = a device dependent error has been detected
2	4	QYE	0 = no query errors 1 = a query error has been detected
1	2	RQC	0 = request control - not used - always zero
0	1	OPC	0 = operation is not complete 1 = operation is complete



*IDN (Identification Number)	
Query	* IDN?
	<p>The *IDN? query allows the instrument to identify itself. It returns the string: "HEWLETT-PACKARD,1660E,0,REV <revision_code>"</p> <p>The model number reflects the model you issue the command to, but the 1660ES models also return 1660E. An *IDN? query must be the last query in a message. Any queries after the *IDN? in the program message are ignored.</p>
Returned Format	HEWLETT-PACKARD,1660E,0,REV <revision code>
<revision code>	Four-digit code in the format XX.XX representing the current ROM revision.
Example	OUTPUT XXX; " *IDN? "

*IST (Individual Status)	
Query	* IST?
	<p>The *IST query allows the instrument to identify itself during parallel poll by allowing the controller to read the current state of the IEEE 488.1 defined "ist" local message in the instrument. The response to this query is dependent upon the current status of the instrument.</p> <p>Figure 8-2 shows the *IST data structure.</p>
Returned Format	<id><NL>
<id>	0 or 1
1	Indicates the "ist" local message is false.
0	Indicates the "ist" local message is true.
Example	OUTPUT XXX; " *IST? "

Figure 8-2



16500/BL20

***IST Data Structure**

*OPC (Operation Complete)

Command *OPC

The *OPC command will cause the instrument to set the operation complete bit in the Standard Event Status Register when all pending device operations have finished. The commands which affect this bit are the overlapped commands. An overlapped command is a command that allows execution of subsequent commands while the device operations initiated by the overlapped command are still in progress. The overlapped commands for the HP 1660E/ES/EP-series are START and STOP.

Example OUTPUT XXX; "*OPC"

Query *OPC?

The *OPC query places an ASCII "1" in the output queue when all pending device operations have been completed.

Returned Format 1<NL>

Example OUTPUT XXX; "*OPC?"

*OPT (Option Identification)

Query

*OPT?

The *OPT query identifies the software installed in the HP 1660E/ES/EP-series. This query returns nine parameters. The first parameter indicates whether you are in the system. The next two parameters indicate any software options installed, and the next parameter indicates whether intermodule is available for the system. The HP 1660E/ES/EP-series logic analyzers have only two slots; therefore, only the first and second parameters of the last five parameters will be relevant. A zero in any of the last eight parameters indicates that the corresponding software is not currently installed. The name returned for software options and module software is the same name that appears in the field in the upper-left corner of the menu for each option or module.

Returned Format

{SYSTEM}, {<option>|0}, {<option>|0}, {INTERMODULE|0}, {<module>|0}, {<module>|0}, {<module>|0}, {<module>|0}<NL>

<option> Name of software option.

<module> Name of module software.

Example

OUTPUT XXX; "*OPT?"

PRE (Parallel Poll Enable Register Enable)*Command**`*PRE <mask>`

The *PRE command sets the parallel poll register enable bits. The Parallel Poll Enable Register contains a mask value that is ANDed with the bits in the Status Bit Register to enable an "ist" during a parallel poll. Refer to table 8-4 for the bits in the Parallel Poll Enable Register and for what they mask.

`<pre_mask>` An integer from 0 to 65535.

Example

This example will allow the HP 1660E/ES/EP-series to generate an "ist" when a message is available in the output queue. When a message is available, the MAV (Message Available) bit in the Status Byte Register will be high.

Output `XXX; " *PRE 16 "`

Query`*PRE?`

The *PRE? query returns the current value of the register.

Returned format`<mask><NL>`

`<mask>` An integer from 0 through 255.

Example

OUTPUT `XXX; " *PRE? "`

Table 8-4

HP 1660E/ES/EP-Series Parallel Poll Enable Register

Bit Position	Bit Weight	Enables
15-8		Not used
7	128	Not used
6	64	MSS - Master Summary Status
5	32	ESB - Event Status
4	16	MAV - Message Available
3	8	LCL - Local
2	4	Not used
1	2	Not used
0	1	MSB - Module Summary

***RST (Reset)**

The *RST command is not implemented on the HP 1660E/ES/EP-series. The HP 1660E/ES/EP-series will accept this command, but the command has no affect on the logic analyzer.

The *RST command is generally used to place the logic analyzer in a predefined state. Because the HP 1660E/ES/EP-series allows you to store predefined configuration files for individual modules, or for the entire system, resetting the logic analyzer can be accomplished by simply loading the appropriate configuration file. For more information, refer to chapter 11, "MMEMory Subsystem."

***SRE (Service Request Enable)**

Command *SRE <mask>

The *SRE command sets the Service Request Enable Register bits. The Service Request Enable Register contains a mask value for the bits to be enabled in the Status Byte Register. A one in the Service Request Enable Register will enable the corresponding bit in the Status Byte Register. A zero will disable the bit. Refer to table 8-5 for the bits in the Service Request Enable Register and what they mask.

Refer to Chapter 6, "Status Reporting," for a complete discussion of status.

<mask> An integer from 0 to 255.

Example

This example enables a service request to be generated when a message is available in the output queue. When a message is available, the MAV (Message Available) bit will be high.

```
OUTPUT XXX; " *SRE 16 "
```

Query *SRE?

The *SRE query returns the current value.

Returned Format <mask><NL>

<mask> An integer from 0 to 255 representing the sum of all bits that are set.

Example

```
OUTPUT XXX; " *SRE? "
```

Table 8-5

HP 1660E/ES/EP-Series Service Request Enable Register

Bit Position	Bit Weight	Enables
15-8		not used
7	128	not used
6	64	MSS - Master Summary Status (always 0)
5	32	ESB - Event Status
4	16	MAV - Message Available
3	8	LCL- Local
2	4	not used
1	2	not used
0	1	MSB - Module Summary

***STB (Status Byte)**

Query

*STB?

The *STB query returns the current value of the instrument's status byte. The MSS (Master Summary Status) bit, and, not the RQS (Request Service) bit is reported on bit 6. The MSS indicates whether or not the device has at least one reason for requesting service. Refer to table 8-6 for the meaning of the bits in the status byte.

Returned Format

Refer to Chapter 6, "Status Reporting," for a complete discussion of status.

<value><NL>

<value> An integer from 0 through 255

Example

OUTPUT XXX; " *STB? "

Table 8-6

The Status Byte Register

Bit Position	Bit Weight	Bit Name	Condition
7	128		0 = not Used
6	64	MSS	0 = instrument has no reason for service 1 = instrument is requesting service
5	32	ESB	0 = no event status conditions have occurred 1 = an enabled event status condition has occurred
4	16	MAV	0 = no output messages are ready 1 = an output message is ready
3	8	LCL	0 = a remote-to-local transition has not occurred 1 = a remote-to-local transition has occurred
2	4		not used
1	2		not used
0	1	MSB	0 = a module or the system has activity to report 1 = no activity to report

0 = False = Low
 1 = True = High

***TRG (Trigger)**

Command

* TRG

The *TRG command has the same effect as a Group Execute Trigger (GET). That effect is as if the START command had been sent for intermodule group run. If no modules are configured in the Intermodule menu, this command has no effect.

Example

OUTPUT XXX; " *TRG "

***TST (Test)**

Query

*TST?

The *TST query returns the results of the power-up self-test. The result of that test is a 9-bit mapped value which is placed in the output queue. A one in the corresponding bit means that the test failed and a zero in the corresponding bit means that the test passed. Refer to table 8-7 for the meaning of the bits returned by a TST? query.

Returned Format

<result><NL>

<result> An integer 0 through 511.

Example

```
10 OUTPUT XXX;"*TST?"
20 ENTER XXX;Tst_value
```

Table 8-7

Bits Returned by *TST? Query (Power-Up Test Results)

Bit Position	Bit Weight	Test
8	256	Flexible Disk Test
7	128	Hard Disk Test
6	64	not used
5	32	not used
4	16	PS2 Controller Test
3	8	Display Test
2	4	Interrupt Test
1	2	RAM Test
0	1	ROM Test

***WAI (Wait)**

WAI (Wait)*Command*****WAI**

The *WAI command causes the device to wait until completing all of the overlapped commands before executing any further commands or queries. An overlapped command is a command that allows execution of subsequent commands while the device operations initiated by the overlapped command are still in progress. Some examples of overlapped commands for the HP 1660E/ES/EP-series are START and STOP.

Example

OUTPUT XXX; " *WAI "



Instrument Commands

Introduction

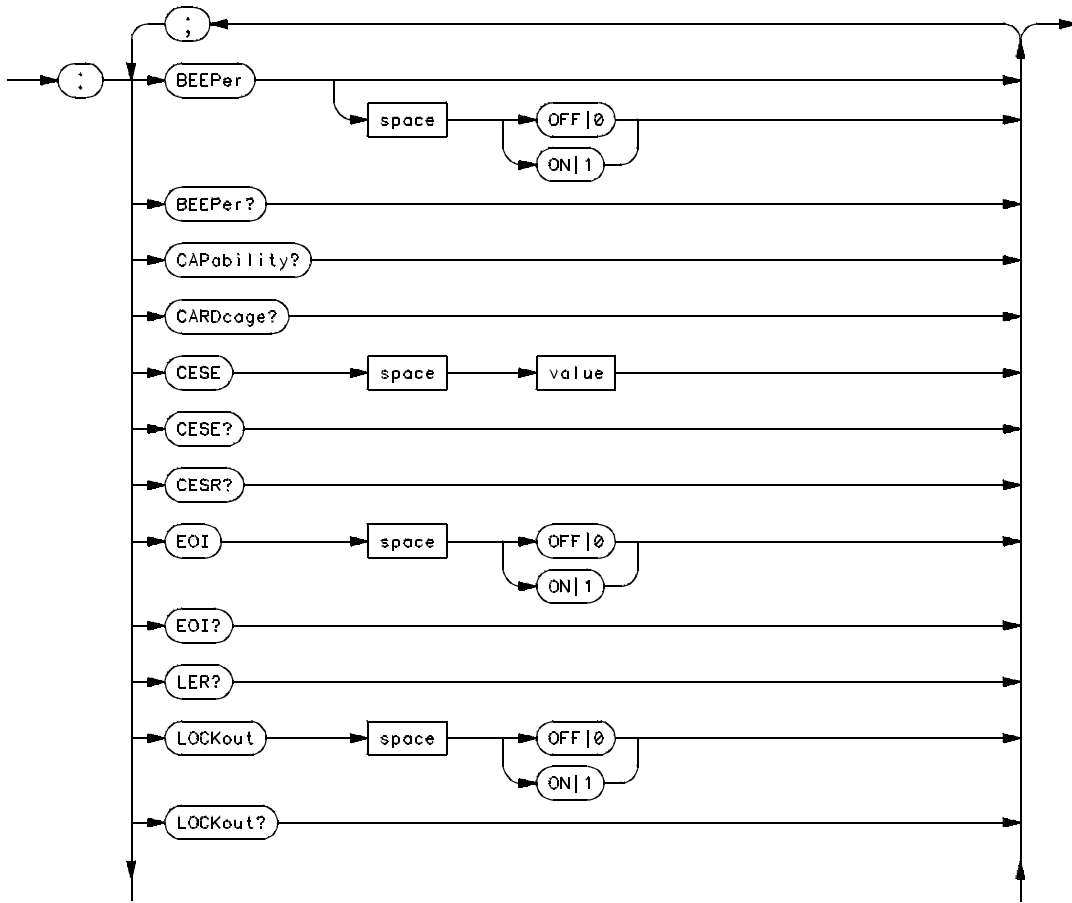
Instrument commands control the basic operation of the instrument for the HP 1660E/ES/EP-series logic analyzers. The 1660E/ES-series logic analyzers are similar to an HP 16500A logic analysis system with either a single logic analyzer module (HP 1660E-series) or one logic analyzer and one oscilloscope module (HP 1660ES-series) installed.

The main difference from mainframe commands for the HP 16500-series logic analysis system is the number of modules. In the HP 1660E/ES/EP-series, module 0 contains the system level commands, module 1 contains the logic analyzer level commands, and module 2 contains the oscilloscope module commands (ES only). The command parser in the HP 1660E/ES/EP-series logic analyzers is designed to accept programs written for the HP 16500A logic analysis system with an HP 16550A logic analyzer and/or oscilloscope modules. The main difference is how you specify the SELECT command. Remember, the HP 1660E/ES/EP-series is equivalent only to a mainframe with up to two modules; therefore, if you specify 3 through 10 for the SELECT command in your program, the command parser will take no action.

This chapter contains instrument commands with a syntax example for each command. Each syntax example contains parameters for the HP 1600 series only. Refer to figure 9-1 and table 9-1 for the Instrument commands syntax diagram. The commands are:

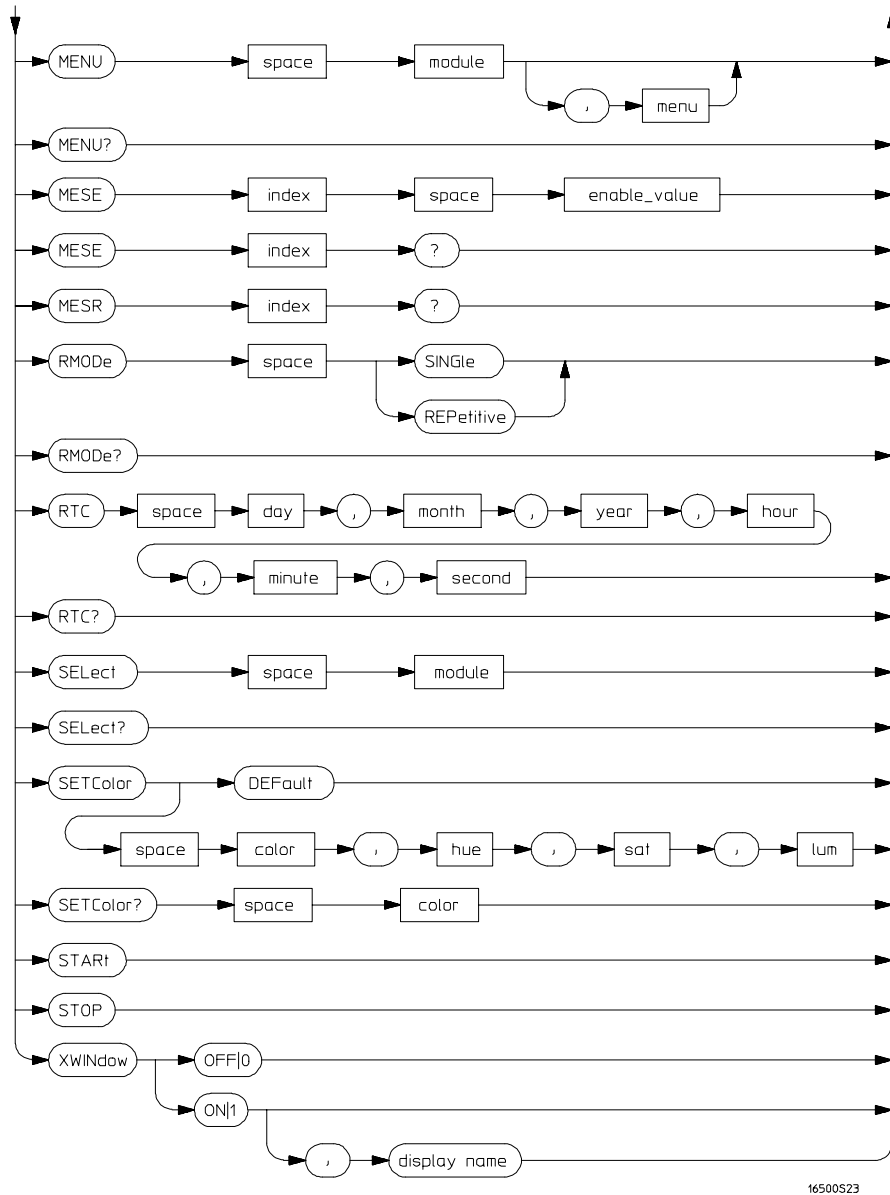
- BEEPer
- CAPability
- CARDcage
- CESE
- CESR
- EOI
- LER
- LOCKout
- MENU
- MESE
- MESR
- RMODe
- RTC
- SElect
- SETColor
- STARt
- STOP
- XWINdow

Figure 9-1



Mainframe Commands Syntax Diagram

Figure 9-1 (continued)



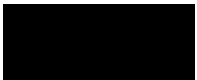
16500523

Mainframe Commands Syntax Diagram (continued)

Table 9-1

Mainframe Parameter Values

Parameter	Values
value	An integer from 0 to 65535.
module	An integer 0 through 2 (3 through 10 unused).
menu	An integer.
enable_value	An integer from 0 to 255.
index	An integer from 0 to 5.
day	An integer from 1 through 31.
month	An integer from 1 through 12.
year	An integer from 1990 through 2089.
hour	An integer from 0 through 23.
minute	An integer from 0 through 59.
second	An integer from 0 through 59.
color	An integer from 1 to 7.
hue	An integer from 0 to 100.
sat	An integer from 0 to 100.
lum	An integer from 0 to 100.
display name	Astring containing an Internet Address and a display name, for example, "12.3.19.1:0.0".



BEEPer

Command : BEEPer [{ON|1} | {OFF|0}]

The BEEPer command sets the beeper mode, which turns the beeper sound of the instrument on and off. When BEEPer is sent with no argument, the beeper will be sounded without affecting the current mode.

Example OUTPUT XXX; ":BEEPER"; OUTPUT XXX; ":BEEP ON"

Query : BEEPer?

The BEEPer? query returns the mode currently selected.

Returned Format [:BEEPer] {1|0} <NL>

Example OUTPUT XXX; ":BEEPER?"

CAPability

Query :CAPability?

The CAPability query returns the HP-SL (HP System Language) and lower level capability sets implemented in the device.

Returned Format Table 9-2 lists the capability sets implemented in the HP 1660E/ES/EP-series.
 [:CAPability]
 IEEE488,1987,SH1,AH1,T5,L4,SR1,RL1,PP1,DC1,DT1,C0,E2<NL>

Example OUTPUT XXX; ":CAPABILITY?"

Table 9-2 HP 1660E/ES/EP-Series Capability Sets

Mnemonic	Capability Name	Implementation
SH	Source Handshake	SH1
AH	Acceptor Handshake	AH1
T	Talker (or TE - Extended Talker)	T5
L	Listener (or LE - Extended Listener)	L4
SR	Service Request	SR1
RL	Remote Local	RL1
PP	Parallel Poll	PP1
DC	Device Clear	DC1
DT	Device Trigger	DT1
C	Any Controller	C0
E	Electrical Characteristic	E2

CARDcage

Query :CARDcage?

The CARDcage query returns a series of integers which identify the cards that are installed in the machine. The returned string is in two parts. The first five two-digit numbers identify the card type. There are five numbers because this command also works on the HP 16500B logic analysis system. The identification number for the logic analyzer is 32. The identification number for the oscilloscope is 13. A "-1" in the first part of the string indicates nothing is installed.

The five single-digit numbers in the second part of the string indicate which cards are installed. The card assignment for the logic analyzer will always be 1. The second number will contain a 0 unless the oscilloscope card is installed (HP 1660ES), in which case it will return a 1. The possible values for the card assignment are 0 and 1 where 0 indicates the card software is not recognized or not loaded.

Returned Format [:CARDcage] <ID>,<ID>,-1,-1,-1,1,<assign>,0,0,0<NL>

<ID> An integer indicating the card identification number.

<assign> An integer indicating the card assignment.

Example OUTPUT XXX;" :CARDcage?"

CESE (Combined Event Status Enable)

Command :CESE <value>

The CESE command sets the Combined Event Status Enable register. This register is the enable register for the CESR register and contains the combined status of all of the MESE (Module Event Status Enable) registers of the HP 1660E/ES/EP-series. Table 9-3 lists the bit values for the CESE register.

<value> An integer from 0 to 65535

Example OUTPUT XXX; ":CESE 32"

Query :CESE?

The CESE? query returns the current setting.

Returned Format [:CESE] <value><NL>

Example OUTPUT XXX; ":CESE?"

Table 9-3 **HP 1660E/ES/EP-Series Combined Event Status Enable Register**

Bit	Weight	Enables
3 to 15		Not used
2	4	Pattern generator
2	4	Oscilloscope
1	2	Logic analyzer
0	1	Intermodule

CESR (Combined Event Status Register)

Query :CESR?

The CESR query returns the contents of the Combined Event Status register. This register contains the combined status of all of the MESRs (Module Event Status Registers) of the HP 1660E/ES/EP-series. Table 9-4 lists the bit values for the CESR register.

Returned Format [:CESR] <value><NL>
 <value> An integer from 0 to 65535.

Example OUTPUT XXX; " :CESR? "

Table 9-4 **HP 1660E/ES/EP-Series Combined Event Status Register**

Bit	Bit Weight	Bit Name	Condition
3 to 15			0 = not used
2	4	Pattern generator	0= No new status 1= Status to report
2	4	Oscilloscope	0 = No new status 1 = Status to report
1	2	Logic analyzer	0 = No new status 1 = Status to report
0	1	Intermodule	0 = No new status 1 = Status to report

EOI (End Or Identify)

Command :EOI {{ON|1}}|{{OFF|0}}

The EOI command specifies whether or not the last byte of a reply from the instrument is to be sent with the EOI bus control line set true or not. If EOI is turned off, the logic analyzer will no longer be sending IEEE 488.2 compliant responses.

Example OUTPUT XXX; ":EOI ON"

Query :EOI?

The EOI? query returns the current status of EOI.

Returned Format [:EOI] {1|0}<NL>

Example OUTPUT XXX; ":EOI?"

LER (LCL Event Register)

Query :LER?

The LER? query allows the LCL Event Register to be read. After the LCL Event Register is read, it is cleared. A one indicates a remote-to-local transition has taken place. A zero indicates a remote-to-local transition has not taken place.

Returned Format [:LER] {0|1}<NL>

Example OUTPUT XXX; ":LER?"

LOCKout

Command :LOCKout { {ON|1} | {OFF|0} }

The LOCKout command locks out or restores front panel operation. When this function is on, all controls (except the power switch) are entirely locked out.

Example OUTPUT XXX; ":LOCKOUT ON"

Query :LOCKout?

The LOCKout query returns the current status of the LOCKout command.

Returned Format [:LOCKout] { 0|1 } <NL>

Example OUTPUT XXX; ":LOCKOUT?"

MENU

Command :MENU <module>[,<menu>]

The MENU command puts a menu on the display. The first parameter specifies the desired module. The optional second parameter specifies the desired menu in the module (defaults to 0). Table 9-5 lists the parameters and the menus.

<module> Selects module or system (integer) 0 selects the system, 1 selects the logic analyzer, and 2 selects the oscilloscope. -2, -1 and 3 to 10 unused
<menu> Selects menu (integer)

Example OUTPUT XXX; ":MENU 0,1"

Table 9-5**Menu Parameter Values**

Parameters	Menu
0,0	System External I/O
0,1	System Hard Disk
0,2	System Flexible Disk
0,3	System Utilities
0,4	System Test
1,0	Analyzer Configuration
1,1	Format 1
1,2	Format 2
1,3	Trigger 1
1,4	Trigger 2
1,5	Waveform 1
1,6	Waveform 2
1,7	Listing 1
1,8	Listing 2
1,9	Mixed
1,10	Compare 1
1,11	Compare 2
1,12	Chart 1
1,13	Chart 2
2,0	Trigger (Oscilloscope)
2,1	Channel (Oscilloscope)
2,2	Display (Oscilloscope)
2,3	Auto-measure (Oscilloscope)
2,4	Marker (Oscilloscope)
2,5	Calibration (Oscilloscope)
2,0	Format (Pattern generator)
2,1	Sequence (Pattern generator)
2,2	User Macros (Pattern generator)

Instrument Commands
MESE<N> (Module Event Status Enable)

Query : MENU?

The MENU query returns the current menu selection.

Returned Format [:MENU] <module> , <menu><NL>

Example OUTPUT XXX; " :MENU? "

MESE<N> (Module Event Status Enable)

Command : MESE<N> <enable_value>

The HP 1660E/ES/EP-series logic analyzers support the MESE command for compatibility with older programs but do not take any action when the command is sent. In older machines, the MESE command sets the Module Event Status Enable register. This register is the enable register for the MESR register. The <N> index specifies the module, and the parameter specifies the enable value.

<N> An integer 0 through 2 (3 through 10 unused).

<enable_value> An integer from 0 through 255.

Example OUTPUT XXX; " :MESE1 3 "

Query : MESE<N>?

The MESE query is still supported. The query returns the current setting. Tables 9-6, 9-7, and 9-8 list the Module Event Status Enable register bits, bit weights, and what each bit masks for the mainframe, logic analyzer, and oscilloscope respectively.

Returned Format [:MESE<N>] <enable_value><NL>

Example OUTPUT XXX; " :MESE1? "

Table 9-6

HP 1660E/ES/EP-Series Mainframe (Intermodule) Module Event Status Enable Register

Bit Position	Bit Weight	Enables
7	128	not used
6	84	not used
5	32	not used
4	16	not used
3	8	not used
2	4	not used
1	2	RNT - Intermodule Run Until Satisfied
0	1	MC - Intermodule Measurement Complete

Table 9-7

HP 1660E/ES/EP-Series Logic Analyzer Module Event Status Enable Register

Bit Position	Bit Weight	Enables
7	128	not used
6	84	not used
5	32	not used
4	16	not used
3	8	Pattern searches failed
2	4	Trigger found
1	2	RNT - Run Until Satisfied
0	1	MC - Measurement Complete

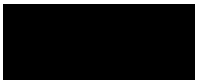


Table 9-8

HP 1660ES-Series Oscilloscope Module Event Status Enable Register

Bit Position	Bit Weight	Enables
7	128	not used
6	84	not used
5	32	not used
4	16	Number of averages met
3	8	Auto triggered
2	4	Trigger received
1	2	RNT - Run Until Satisfied
0	1	MC - Measurement Complete

MESR<N> (Module Event Status Register)

Query :MESR<N>?

The MESR query returns the contents of the Module Event Status register. The <N> index specifies the module. For the HP 1660E/ES/EP-series, the <N> index 0, 1, or 2 refers to system, logic analyzer, or oscilloscope respectively.

Refer to table 9-9 for information about the Module Event Status Register bits and their bit weights for the system, table 9-10 for the logic analyzer, and table 9-11 for the oscilloscope.

Returned Format [:MESR<N>] <enable_value><NL>

<N> An integer 0 through 10 (3 through 10 unused).

<enable_value> An integer from 0 through 255

Example OUTPUT XXX; " :MESR1?"

Table 9-9

HP 1660E/ES/EP-Series Mainframe Module Event Status Register

Bit	Bit Weight	Bit Name	Condition
7	128		0 = not used
6	64		0 = not used
5	32		0 = not used
4	16		0 = not used
3	8		0 = not used
2	4		0 = not used
1	2	RNT	0 = Intermodule Run until not satisfied 1 = Intermodule Run until satisfied
0	1	MC	0 = Intermodule Measurement not satisfied 1 = Intermodule Measurement satisfied

Table 9-10

HP 1660E/ES/EP-Series Logic Analyzer Module Event Status Register

Bit	Bit Weight	Condition
7	128	0 = not used
6	64	0 = not used
5	32	0 = not used
4	16	0 = not used
3	8	1 = One or more pattern searches failed 0 = Pattern searches did not fail
2	4	1 = Trigger found 0 = Trigger not found
1	2	0 = Run until not satisfied 1 = Run until satisfied
0	1	0 = Measurement not satisfied 1 = Measurement satisfied



Table 9-11

HP 1660ES-Series Oscilloscope Module Event Status Register

Bit	Bit Weight	Bit Name	Condition
7	128		0 = not used
6	64		0 = not used
5	32		0 = not used
4	16		1 = Number of averages satisfied 0= Number of averages not satisfied
3	8		1 = Auto trigger received 0= Auto trigger not received
2	4		1= Trigger received 0= Trigger not received
1	2	RNT	1 = Run until satisfied 0 = Run until not satisfied
0	1	MC	1 = Measurement complete 0 = Measurement not complete

RMODe

Command :RMODe {SINGLE|REPetitive}

The RMODe command specifies the run mode for the selected module (or Intermodule). If the selected module is in the intermodule configuration, then the intermodule run mode will be set by this command.

After specifying the run mode, use the STARt command to start the acquisition.

Example

```
OUTPUT XXX; " :RMODe SINGLE"
```

Query :RMODE?

The query returns the current setting.
Returned Format [:RMODE] {SINGLE|REPETITIVE}<NL>

Example OUTPUT XXX; " :RMODE? "

RTC (Real-time Clock)

Command :RTC {<day> , <month> , <year> , <hour> , <minute> , <second> | DEFault}

The real-time clock command allows you to set the real-time clock to the current date and time. The DEFault option sets the real-time clock to 01 January 1992, 12:00:00 (24-hour format).

- <day> integer from 1 to 31
- <month> integer from 1 to 12
- <year> integer from 1990 to 2089
- <hour> integer from 0 to 23
- <minute> integer from 0 to 59
- <second> integer from 0 to 59

Example This example sets the real-time clock for 1 January 1992, 20:00:00 (8 PM).

OUTPUT XXX; " :RTC 1,1,1992,20,0,0 "

Instrument Commands

SElect

Query :RTC?

The RTC query returns the real-time clock setting.

Returned Format [:RTC] <day> , <month> , <year> , <hour> , <minute> , <second>

Example OUTPUT XXX; " :RTC? "

SElect

Command :SElect <module>

The SElect command selects which module (or system) will have parser control. SElect defaults to System (0) at power up. The appropriate module (or system) must be selected before any module (or system) specific commands can be sent. SELECT 0 selects the System, SELECT 1 selects the logic analyzer (state and timing), and SELECT 2 selects the oscilloscope module. Select -2, -1 and, 3 through 10 are accepted but no action will be taken. When a module is selected, the parser recognizes the module's commands and the System/Intermodule commands. When SELECT 0 is used, only the System/Intermodule commands are recognized by the parser. Figure 9-2 shows the command tree for the SElect command.

The command parser in the HP 1660E/ES/EP-series is designed to accept programs written for the HP 16500A logic analysis system with an HP 16550A logic analyzer module; however, if the parameters 3 through 10 are sent, the HP 1660E/ES/EP-series logic analyzers will take no action.

<module> An integer 0 through 2 (-2, -1, and 3 through 10 unused).

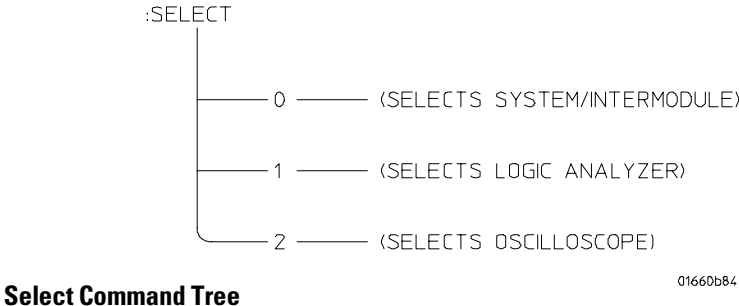
Example OUTPUT XXX; " :SELECT 0 "

Query :SElect?

Returned Format The SElect? query returns the current module selection.
[:SElect] <module><NL>

Example OUTPUT XXX; ":SELECT?"

Figure 9-2



SETColor

Command :SETColor {<color>,<hue>,<sat>,<lum>|DEFault}

The SETColor command is used to change one of the selections on the CRT, or to return to the default screen colors. Four parameters are sent with the command to change a color:

- Color Number (first parameter)
- Hue (second parameter)
- Saturation (third parameter)
- Luminosity (last parameter)

<color> An integer from 1 to 7
<hue> An integer from 0 to 100.
<sat> An integer from 0 to 100.
<lum> An integer from 0 to 100

Color Number 0 cannot be changed.

Example OUTPUT XXX;":SETCOLOR 3,60,100,60"
 OUTPUT XXX;":SETC DEFAULT"

Query :SETColor? <color>

The SETColor query returns the luminosity values for a specified grayscale shade.

Returned Format [:SETColor] <color>,<hue>,<sat>,<lum><NL>

Example OUTPUT XXX;":SETCOLOR? 3"

START

Command : START

The START command starts the selected module (or Intermodule) running in the specified run mode (see RMODe). If the specified module is in the Intermodule configuration, then the Intermodule run will be started.

The START command is an overlapped command. An overlapped command is a command that allows execution of subsequent commands while the device operations initiated by the overlapped command are still in progress.

Example OUTPUT XXX; " : START "

STOP

Command : STOP

The STOP command stops the selected module (or Intermodule). If the specified module is in the Intermodule configuration, then the Intermodule run will be stopped.

The STOP command is an overlapped command. An overlapped command is a command that allows execution of subsequent commands while the device operations initiated by the overlapped command are still in progress.

Example OUTPUT XXX; " : STOP "

XWINDow

Command : XWINDow {OFF|0}
 : XWINDow {ON|1}[, <display name>]

The XWINDow command opens or closes a window on an X Window display server, that is, a networked workstation or personal computer. The XWINDow ON command opens a window. If no display name is specified, the display name already stored in the logic analyzer X Window External I/O menu is used. If a display name is specified, that name is used. The specified display name also is stored in non-volatile memory in the logic analyzer.

<display name> A string containing an Internet (IP) Address optionally followed by a display and screen specifier. For example,
 "12.3.47.11"
 or
 "12.3.47.11:0.0"

Example

To open a window, specifying and storing the display name:

```
OUTPUT XXX; " :XWINDOW ON, '12.3.47.11' "
```

To open a window, using the stored display name:

```
OUTPUT XXX; " :XWINDOW ON"
```

To close the X Window:

```
OUTPUT XXX; " :XWINDOW OFF"
```

For the HP 1660E/ES-series logic analyzer, this command only has an effect if the LAN option is installed. The HP 1660EP-series logic analyzer comes with the LAN installed.



SYSTEM Subsystem

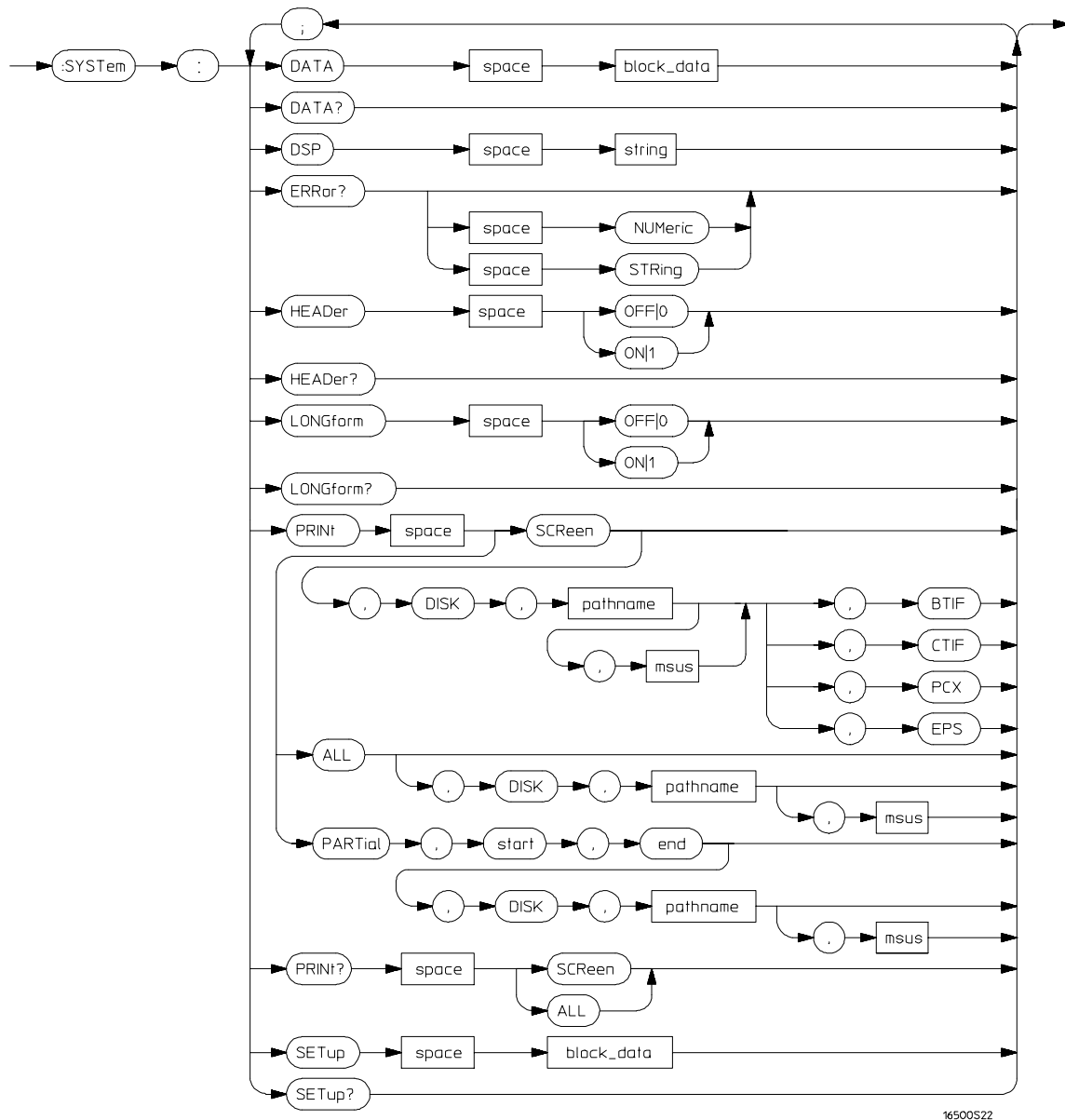
Introduction

SYSTEM subsystem commands control functions that are common to the entire HP 1660E/ES/EP-series logic analyzer, including formatting query responses and enabling reading and writing to the advisory line of the instrument. The command parser in the HP 1660E/ES/EP-series is designed to accept programs written for the HP 16500A logic analysis system with an HP 16550A logic analyzer module and HP 16532A oscilloscope module.

Refer to figure 10-1 and table 10-1 for the System Subsystem commands syntax diagram. The SYSTEM Subsystem commands are:

- DATA
- DSP
- ERRor
- HEADer
- LONGform
- PRINt
- SETup

Figure 10-1



16500522

SYSTEM Subsystem Commands Syntax Diagram

Table 10-1

SYSTem Parameter Values

Parameter	Values
block_data	Data in IEEE 488.2 format.
string	A string of up to 68 alphanumeric characters.
pathname	A string of up to 10 alphanumeric characters for LIF in the following form: "NNNNNNNNNN" or A string of up to 64 alphanumeric characters for DOS in one of the following forms: "NNNNNNNN.NNN" when the file resides in the present working directory or "\NAME_DIR\FILENAME" when the files does not reside in the present working directory

DATA

Command :SYSTEM:DATA <block_data>

The DATA command allows you to send and receive acquired data to and from a controller in block form. This helps saving block data for:

- Reloading to the logic analyzer or oscilloscope
- Processing data later in the logic analyzer or oscilloscope
- Processing data in the controller

The format and length of block data depends on the instruction being used and the configuration of the instrument. This chapter describes briefly the syntax of the Data command and query. Because the mainframe by itself does not have acquired data, and the capabilities of the DATA command and query vary for each module, the DATA command and query are described in detail in the respective modules command section. See chapter 27, "DATA and SETUp Commands" for additional information when using the logic analyzer, or chapter 36, "WAVEform Subsystem" when using the oscilloscope module.

Example

OUTPUT XXX; ":SYSTEM:DATA" <block_data>

<block_data> <block_length_specifier><section>

<block_length_specifier> #8<length>

<length> The total length of all sections in byte format (must be represented with 8 digits).

<section> <section_header><section_data>

<section_header> 16 bytes, described in the "Section Header Description" section in chapter 27, "DATA and SETUp Commands."

<section_data> The format depends on the type of data.

SYSTEM Subsystem
DSP (Display)

Query : SYSTem:DATA?

The SYSTem:DATA query returns the block data. The data sent by the SYSTem:DATA query reflects the configuration of the machines when the last run was performed. Any changes made since then through either front-panel operations or programming commands do not affect the stored configuration.

Returned Format [:SYSTem:DATA] <block_data><NL>

Example See chapter 37, "Programming Examples" for an example on transferring data.

DSP (Display)

Command : SYSTem:DSP <string>

The DSP command writes the specified quoted string to a device-dependent portion of the instrument display.

<string> A string of up to 68 alphanumeric characters

Example OUTPUT XXX;":SYSTem:DSP 'The message goes here' "

ERRor

Query :SYSTEM:ERRor? [NUMeric|STRing]

The ERRor query returns the oldest error from the error queue. The optional parameter determines whether the error string should be returned along with the error number. If no parameter is received, or if the parameter is NUMeric, then only the error number is returned. If the value of the parameter is STRing, then the error should be returned in the following form:

<error_number>,<error_message (string)>

A complete list of error messages for the HP 1660E/ES/EP-series is shown in chapter 7, "Error Messages." If no errors are present in the error queue, a zero (No Error) is returned.

Returned Formats

Numeric:

[:SYSTEM:ERRor] <error_number><NL>

String:

[:SYSTEM:ERRor] <error_number>,<error_string><NL>

<error_number> An integer

<error_string> A string of alphanumeric characters

Example

Numeric:

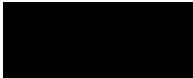
10 OUTPUT XXX;":SYSTEM:ERRor?"

20 ENTER XXX;Numeric

String:

50 OUTPUT XXX;":SYST:ERR? STRING"

60 ENTER XXX;String\$



HEADer

Command : SYSTem:HEADer {{ON|1}}|{{OFF|0}}

The HEADer command tells the instrument whether or not to output a header for query responses. When HEADer is set to ON, query responses will include the command header.

Example OUTPUT XXX; ":SYSTEM:HEADER ON"

Query : SYSTem:HEADer?

The HEADer query returns the current state of the HEADer command.

Returned Format [:SYSTem:HEADer] {1|0}<NL>

Example OUTPUT XXX; ":SYSTEM:HEADER?"

Headers should be turned off when returning values to numeric variables.

LONGform

Command :SYSTem:LONGform {{ON|1}}|{{OFF|0}}

The LONGform command sets the longform variable, which tells the instrument how to format query responses. If the LONGform command is set to OFF, command headers and alpha arguments are sent from the instrument in the abbreviated form. If the the LONGform command is set to ON, the whole word will be output. This command has no affect on the input data messages to the instrument. Headers and arguments may be input in either the longform or shortform regardless of how the LONGform command is set.

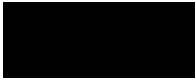
Example OUTPUT XXX; ":SYSTEM:LONGFORM ON"

Query :SYSTem:LONGform?

The query returns the status of the LONGform command.

Returned Format [:SYSTem:LONGform] {1|0}<NL>

Example OUTPUT XXX; ":SYSTEM:LONGFORM?"



PRINT

Command :SYSTEM:PRINT ALL[,DISK, <pathname>[,<msus>]]
 :SYSTEM:PRINT PARTIAL,<start>,<end>
 [,DISK, <pathname>[,<msus>]]
 :SYSTEM:PRINT SCREEN[,DISK, <pathname> [,<msus>],
 {BTIF|CTIF|PCX|EPS}]

The PRINT command initiates a print of the screen or listing buffer over the current PRINTER communication interface to the printer or to a file on the disk. The PRINT SCREEN option allows you to specify a graphics type. BTIF format is black & white TIFF, version 5.0; CTIF and PCX formats are grayscale; and EPS is a black & white line drawing. If a file extension is not specified, one is appended automatically to the file name. The PRINT PARTIAL option allows you to specify a START and END state number.

<pathname> A string of up to 10 alphanumeric characters for LIF in the following form: NNNNNNNNNN when the file resides in the present working directory, or a string of up to 64 alphanumeric characters for DOS in the following forms: NNNNNNNN.NNN or \NAME_DIR\FILENAME when the file does not reside in the present working directory.

<msus> Mass Storage Unit specifier. INTERNAL0 for the hard disk drive and INTERNAL1 for the default flexible disk drive.

<start>, <end> An integer specifying a state number.

Example

This instruction prints the screen to the printer:

```
OUTPUT XXX;":SYSTEM:PRINT SCREEN"
```

This instruction prints all, to a file named STATE:

```
OUTPUT 707;":SYSTEM:PRINT ALL, DISK, 'STATE' "
```

This instruction prints partial data to a file named LIST.

```
OUTPUT 707;":SYSTEM:PRINT PARTIAL,-9,30, DISK, 'list'
```

Query :SYSTem:PRINT? {SCREen|ALL}

The PRINT query sends the screen or listing buffer data over the current CONTROLLER communication interface to the controller.

The print query should NOT be sent with any other command or query on the same command line. The print query never returns a header. Also, since response data from a print query may be sent directly to a printer without modification, the data is not returned in block mode.

Example

OUTPUT 707;":SYSTEM:PRINT? SCREEN"

SETup

Command :SYSTem:SETup <block_data>

The :SYSTEM:SETup command configures the logic analyzer module as defined by the block data sent by the controller. This chapter describes briefly the syntax of the Setup command and query. Because of the capabilities and importance of the Setup command and query, a complete chapter is dedicated to it. The dedicated chapter is chapter 27, "DATA and SETup Commands."

<block_data> <block_length_specifier><section>

<block_length_specifier> #8<length>

<length> The total length of all sections in byte format (must be represented with 8 digits)

<section> <section_header><section_data>

<section_header> 16 bytes, described in the "Section Header Description" section in chapter 27.

<section_data> Format depends on the type of data

SYSTEM Subsystem SETup

The total length of a section is 16 (for the section header) plus the length of the section data. So when calculating the value for <length>, don't forget to include the length of the section headers.

Example

```
OUTPUT XXX USING "#,K"; :SYSTEM:SETUP " <block_data>
```

Query

```
:SYStem:SETup?
```

The SYStem:SETup query returns a block of data that contains the current configuration to the controller.

Returned Format

```
[ :SYStem:SETup] <block_data><NL>
```

Example

See "Transferring the logic analyzer configuration" in chapter 43, "Programming Examples" for an example.



MMEMory Subsystem

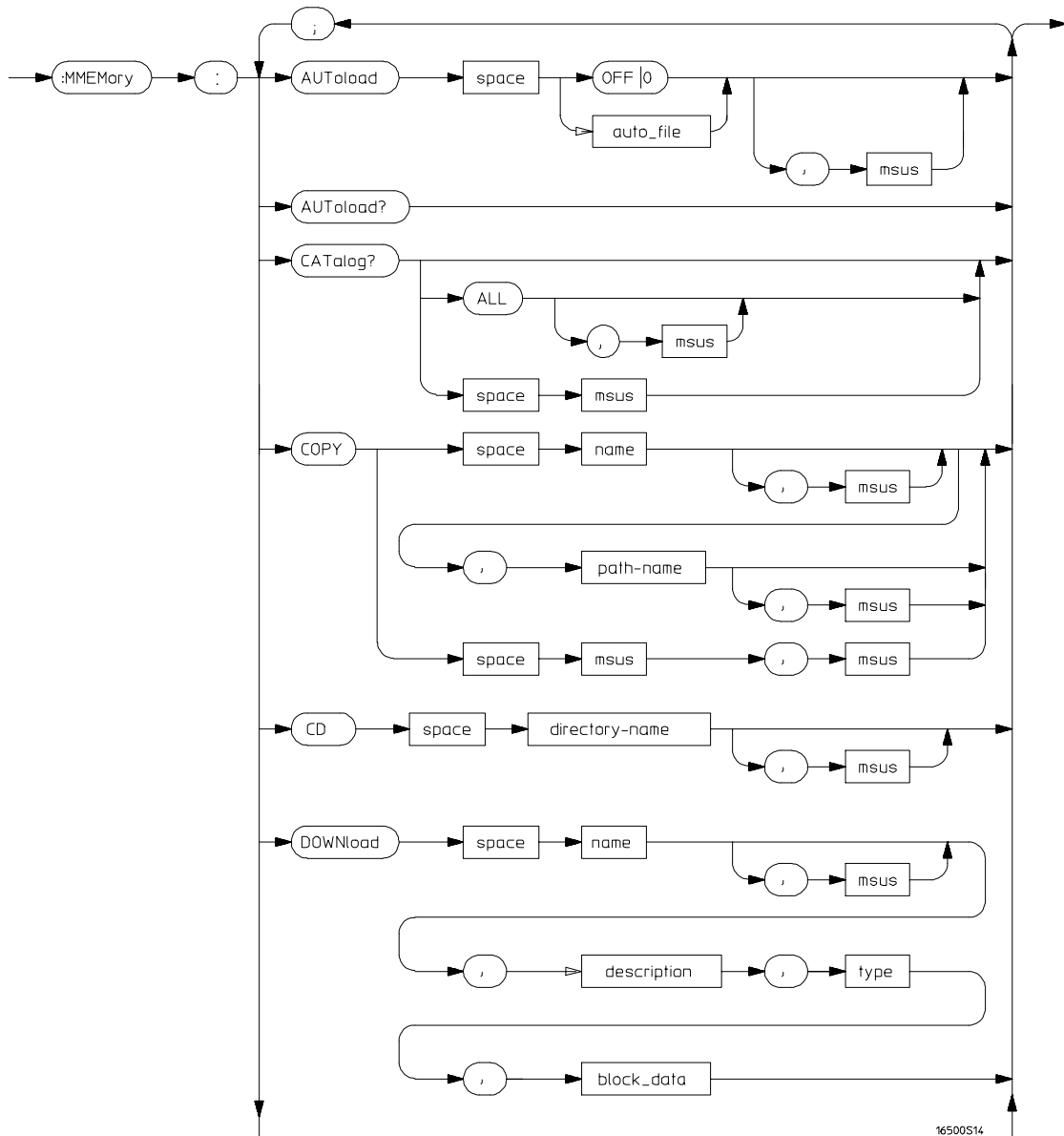
Introduction

The MMEMory (mass memory) subsystem commands provide access to the disk drives. The HP 1600C-series logic analyzers support both LIF (Logical Information Format) and DOS (Disk Operating System) formats.

The HP 1660E/ES/EP-series logic analyzers have two disk drives, a hard disk drive and a flexible disk drive. Refer to figure 11-1 and table 11-1 for the MMEMory Subsystem commands syntax diagram. The MMEMory subsystem commands are:

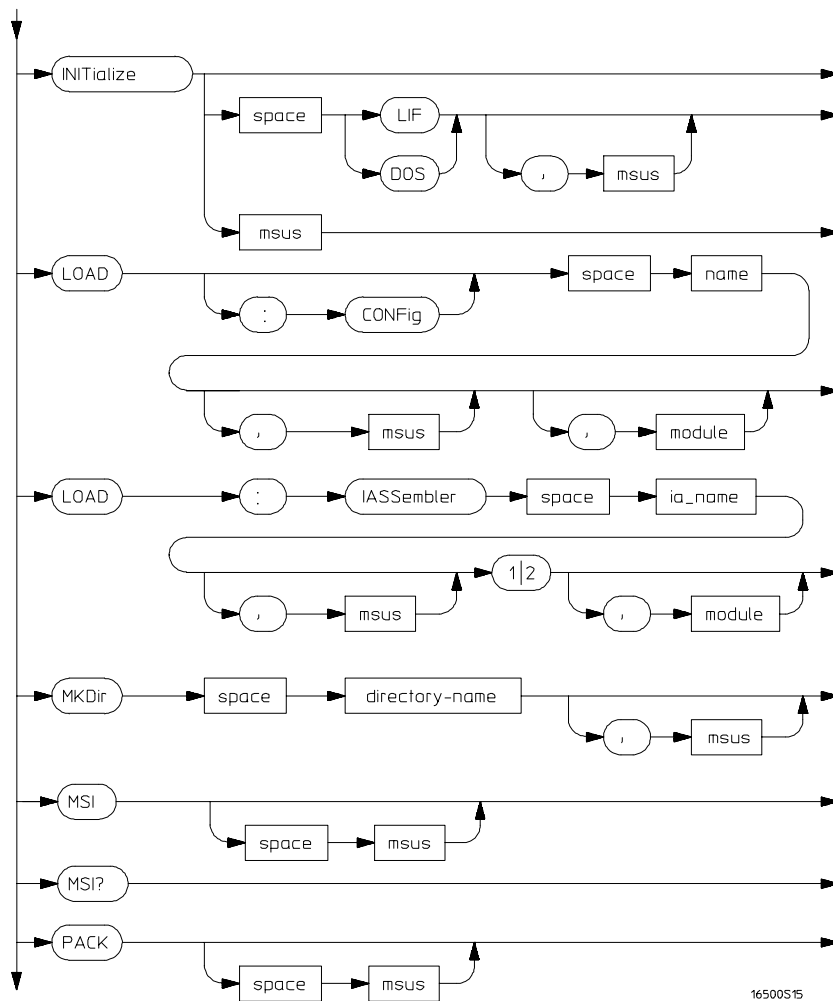
- AUToload
- CATalog
- CD (Change Directory)
- COPY
- DOWNload
- INITialize
- LOAD
- MKDir (Make Directory)
- MSI
- PACK
- PURGe
- PWD (Present Working Directory)
- REName
- STORE
- UPLoad
- VOLume

Figure 11-1



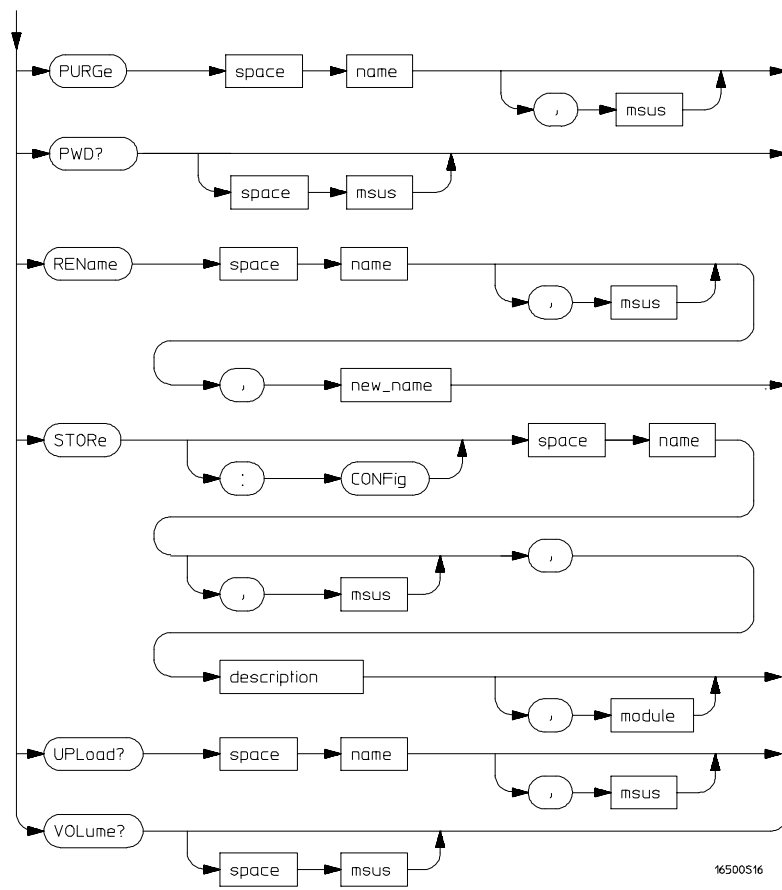
MMEMory Subsystem Commands Syntax Diagram

Figure 11-1 (Continued)



MMEMory Subsystem Commands Syntax Diagram (Continued)

Figure 11-1 (Continued)



MMEMory Subsystem Commands Syntax Diagram (Continued)

Table 11-1

MMEMory Parameter Values

Parameter	Values
auto_file	A string of up to 10 alphanumeric characters for LIF in the following form: "NNNNNNNNNN" or A string of up to 12 alphanumeric characters for DOS in the following form: "NNNNNNNN.NNN"
msus	Mass Storage Unit specifier. <code>INTernal0</code> for the hard disk drive and <code>INTernal1</code> for the flexible disk drive.
name	A string of up to 10 alphanumeric characters for LIF in the following form: "NNNNNNNNNN" or A string of up to 12 alphanumeric characters for DOS in the following form: "NNNNNNNN.NNN"
description	A string of up to 32 alphanumeric characters.
directory_name	A string of up to 64 characters for DOS disks ending in a directory name. Separators can be the slash (/) or the backslash (\) character. The string of two periods (..) represents the parent of the present working directory.
type	An integer, refer to table 11-2.
block_data	Data in IEEE 488.2 format.
ia_name	A string of up to 10 alphanumeric characters for LIF in the following form: "NNNNNNNNNN" or A string of up to 12 alphanumeric characters for DOS in the following form: "NNNNNNNN.NNN"
new_name	A string of up to 10 alphanumeric characters for LIF in the following form: "NNNNNNNNNN" or A string of up to 12 alphanumeric characters for DOS in the following form: "NNNNNNNN.NNN"
module	An integer, 0 through 2.

AUToload

Command :MMEMory:AUToload { {OFF|0} | {<auto_file>} } [,<msus>]

The AUToload command controls the autoload feature which designates a set of configuration files to be loaded automatically the next time the instrument is turned on. The OFF parameter (or 0) disables the autoload feature. A string parameter may be specified instead to represent the desired autoload file. If the file is on the current disk, the autoload feature is enabled to the specified file.

<auto_file> A string of up to 10 alphanumeric characters for LIF in the following form:

NNNNNNNNNN

or

A string of up to 12 alphanumeric characters for DOS in the following form:

NNNNNNNN.NNN

<msus> Mass Storage Unit specifier. INTernal0 for the hard disk drive and INTernal1 for the flexible disk drive.

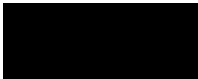
Example

```
OUTPUT XXX; ":MMEMORY:AUTOLOAD OFF"
OUTPUT XXX; ":MMEMORY:AUTOLOAD 'FILE1_A'"
OUTPUT XXX; ":MMEMORY:AUTOLOAD 'FILE2 ',INTERNAL0"
```

Query :MMEMory:AUToload?

The AUToload query returns 0 if the autoload feature is disabled. If the autoload feature is enabled, the query returns a string parameter that specifies the current autoload file. The appropriate slot designator is included in the filename and refers to the slot designator A for the logic analyzer or B for the oscilloscope. If the slot designator is _ (underscore) the file is for the system.

Returned Format [:MMEMory:AUToload] { 0 | <auto_file> } ,<msus> <NL>



<auto_file> A string of up to 10 alphanumeric characters for LIF in the following form:
NNNNNNNNNN
or
A string of up to 12 alphanumeric characters for DOS in the following form:
NNNNNNNN.NNN

Example

OUTPUT XXX;" :MMEMORY:AUTOLOAD?"

CATalog

Query

:MMEMory:CATalog? [[All,] [<msus>]]

The CATalog query returns the directory of the disk in one of two block data formats. The directory consists of a 51 character string for each file on the disk when the ALL option is not used. Each file entry is formatted as follows:

"NNNNNNNNNN TTTTTT FFFFFFFFFFFFFFFFFFFFFFFFFFFFFFFF"

where N is the filename, T is the file type (see table 11-2), and F is the file description.

The optional parameter ALL returns the directory of the disk in a 70-character string as follows:

"NNNNNNNNNNNN TTTTTT FFFFFFFFFFFFFFFFFFFFFFFFFFFFFFFF
DDMMYY HH:MM:SS"

where N is the filename, T is the file type (see table 11-2), F is the file description, and, D, M, Y, and HH:MM:SS are the date, month, year, and time respectively in 24-hour format.

<msus> Mass Storage Unit specifier. INTerna10 for the hard disk drive and INTerna11 for the flexible disk drive.

Returned Format

[:MMEMory:CATalog] <block_data>

<block_data> ASCII block containing <filename> <file_type>
<file_description>

Example

This example is for sending the CATALOG? ALL query:

```
OUTPUT 707; ":MMEemory:CATALOG? ALL"
```

This example is for sending the CATALOG? query without the ALL option.

Keep in mind if you do not use the ALL option with a DOS disk, each filename entry will be truncated at 51 characters:

```
OUTPUT 707; ":MMEemory:CATALOG?"
```

CD (Change Directory)

Command

```
:MMEemory:CD <directory_name> [ ,<msus> ]
```

The CD command allows you to change the current working directory on the hard disk or a DOS flexible disk. The command allows you to send path names of up to 64 characters for DOS format. Separators can be either the slash (/) or backslash (\) character. Both the slash and backslash characters are equivalent and are used as directory separators. The string containing double periods (..) represents the parent of the directory.

<directory_
name>

String of up to 64 characters for DOS disks ending in the new directory name

Example

```
OUTPUT 707; ":MMEemory:CD 'CHILD_DIR' "
```

```
OUTPUT 707; ":MMEemory:CD '..' "
```

```
OUTPUT 707; ":MMEemory:CD '\SYSTEM\SOURCE_DIR\DIR', INTERNAL0"
```

The slash (/) character in DOS path names will be automatically translated to the backslash character (\) on the disk; therefore, any flexible DOS disk used in the HP 1660E/ES/EP will be compatible in DOS computers.

COPY

Command :MMEMemory: COPY <name>[,<msus>] ,<new_name>[,<msus>]

The COPY command copies one file to a new file or an entire disk's contents to another disk. The two <name> parameters are the filenames. The first pair of parameters specifies the source file. The second pair specifies the destination file. An error is generated if the source file doesn't exist, or if the destination file already exists.

<name> A string of up to 10 alphanumeric characters for LIF in the following form:

NNNNNNNNNN

or

A string of up to 12 alphanumeric characters for DOS in the following form:

NNNNNNNN.NNN

<new_name> A string of up to 10 alphanumeric characters for LIF in the following form:

NNNNNNNNNN

or

A string of up to 12 alphanumeric characters for DOS in the following form:

NNNNNNNN.NNN

<msus> Mass Storage Unit specifier. INTerna10 for the hard disk drive and INTerna11 for the flexible disk drive.

Example

To copy the contents of "FILE1" to "FILE2:"

```
OUTPUT XXX;":MMEMORY: COPY 'FILE1' , 'FILE2' "
```

DOWNload

Command :MMEMory:DOWNload <name>[,<msus>],<description>,
 <type>,<block_data>

The DOWNload command downloads a file to the mass storage device. The <name> parameter specifies the filename, the <description> parameter specifies the file descriptor, and the <block_data> contains the contents of the file to be downloaded.

Table 11-2 lists the file types for the <type> parameter.

<name> A string of up to 10 alphanumeric characters for LIF in the following form:

NNNNNNNNNN

or

A string of up to 12 alphanumeric characters for DOS in the following form:

NNNNNNNN.NNN

<msus> Mass Storage Unit specifier. INTERNAL0 for the hard disk drive and INTERNAL1 for the flexible disk drive.

<description> A string of up to 32 alphanumeric characters

<type> An integer (see table 11-2)

<block_data> Contents of file in block data format

Example

```
OUTPUT XXX;":MMEMORY:DOWNLOAD 'SETUP ',INTERNAL0,'FILE CREATED FROM SETUP
QUERY',-16115,#800000643..."
```

Table 11-2

File Types

File	File Type
HP 1660E/ES/EP and HP 1670E ROM Software	-15599
HP 1660E/ES/EP and HP 1670E System Software	-15598
HP 1660E/ES/EP Logic Analyzer Software	-15597
HP 1660ES Oscilloscope Software	-15596
HP 1670E Deep Memory Analyzer Software	-15595
HP 1670E Deep Memory Analyzer Configuration	-16094
HP 1660E/ES/EP and HP 1670E Option Software	-15594
Autoload File	-15615
Inverse Assembler	-15614
Enhanced Inverse Assembler	-15604
DOS File (from Print to Disk)	-5813

INITialize

Command :MMEMoRY:INITialize [{LIF|DOS} [,<msus>]]

The INITialize command formats the disk in either LIF (Logical Information Format) or DOS (Disk Operating System). If no format is specified, then the initialize command will format the disk in the LIF format.

<msus> Mass Storage Unit specifier. INTerna10 for the hard disk drive and INTerna11 for the flexible disk drive.

Example

```
OUTPUT XXX; ":MMEMORY:INITIALIZE DOS "  
OUTPUT XXX; ":MMEMORY:INITIALIZE LIF,INTERNAL0 "
```

CAUTION

Once executed, the initialize command formats the specified disk, permanently erasing all existing information from the disk. After that, there is no way to retrieve the original information.



LOAD [:CONFig]

Command :MMEMory:LOAD[:CONFig] <name>[, <msus>][, <module>]

The LOAD command loads a configuration file from the disk into the logic analyzer, oscilloscope, software options, or the system. The <name> parameter specifies the filename from the disk. The optional <module> parameter specifies which module(s) to load the file into. The accepted values are 0 for system, 1 for logic analyzer, and 2 for the oscilloscope. Not specifying the <module> parameter is equivalent to performing a 'LOAD ALL' from the front panel which loads the appropriate file for the system, logic analyzer, oscilloscope, and any software option.

<name> A string of up to 10 alphanumeric characters for LIF in the following form:

NNNNNNNNNN

or

A string of up to 12 alphanumeric characters for DOS in the following form:

NNNNNNNN.NNN

<msus> Mass Storage Unit specifier. INTerna10 for the hard disk drive and INTerna11 for the default flexible disk drive.

<module> An integer, 0 through 2

Example

```
OUTPUT XXX;":MMEMORY:LOAD:CONFIG 'FILE  ' "  
OUTPUT XXX;":MMEMORY:LOAD 'FILE ',0"  
OUTPUT XXX;":MMEM:LOAD:CONFIG 'FILE A',INTERNAL0,1"
```

LOAD :IASSEMBler

Command :MMEMory:LOAD:IASSEMBler <IA_name>[,<msus>] , {1|2}
 [,<module>]

This variation of the LOAD command allows inverse assembler files to be loaded into a module that performs state analysis. The <IA_name> parameter specifies the inverse assembler filename from the desired <msus>. The parameter after the optional <msus> specifies which machine to load the inverse assembler into.

The optional <module> parameter is used to specify which slot the state analyzer is in. For the HP 1660E/ES/EP-series, this is always 1. If this parameter is not specified, the current slot is assumed.

<IA_name> A string of up to 10 alphanumeric characters for LIF in the following form:

NNNNNNNNNN

or

A string of up to 12 alphanumeric characters for DOS in the following form:

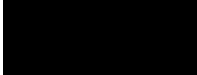
NNNNNNNN.NNN

<msus> Mass Storage Unit specifier. INTerna10 for the hard disk drive and INTerna11 for the flexible disk drive.

<module> An integer, always 1

Example

```
OUTPUT XXX;":MMEMORY:LOAD:IASSEMBLER 'I68020 IP',1"
OUTPUT XXX;":MMEM:LOAD:IASS 'I68020 IP',INTERNAL0,1,2"
```



MKDir (Make Directory)

Command :MMEMemory:MKDir <directory_name> [,<msus>]

The MKDir command allows you to make a directory on the hard drive or a DOS disk in the flexible drive. Directories cannot be made on LIF disks. MKDir will make a directory under the present working directory on the current drive if the optional path is not specified. Separators can be either the slash (/) or backslash (\) character. Both the slash and backslash characters are equivalent and are used as directory separators. The string containing two periods (..) represents the parent of the present working directory.

<directory_name> String of up to 64 characters for DOS disks ending in the new directory name.

<msus> Mass Storage Unit specifier. INTerna10 for the hard disk drive and INTerna11 for the flexible disk drive.

Example

```
OUTPUT XXX;" :MMEMORY:MKDIR 'NEW.DIR' "  
OUTPUT XXX;" :MMEM:MKD '\SYSTEM\NEW.DIR',INT0 "
```

The slash (/) character in DOS path names will be automatically translated to the backslash character (\) on the disk; therefore, any flexible DOS disk used in the HP 1660E/ES/EP will be compatible in DOS computers.

MSI (Mass Storage Is)

Command :MMEMoRY:MSI [<msus>]

The MSI command selects a default mass storage device.

<msus> Mass Storage Unit specifier. INTerna10 for the hard disk drive and INTerna11 for the flexible disk drive.

Example

```
OUTPUT XXX; ":MMEMORY:MSI "  
OUTPUT XXX; ":MMEM:MSI INTERNAL0 "
```

Query :MMEMoRY:MSI?

The MSI? query returns the current MSI setting.

Returned Format [:MMEMoRY:MSI] <msus><NL>

Example

```
OUTPUT XXX; ":MMEMORY:MSI? "
```



PACK

Command :MMEMory:PACK [<msus>]

The PACK command packs the files on the LIF disk in the drive. If a DOS disk is in the drive when the PACK command is sent, no action is taken.

<msus> Mass Storage Unit specifier. INTERNAL0 for the hard disk drive and INTERNAL1 for the flexible disk drive.

Example

```
OUTPUT XXX;" :MMEMORY:PACK"  
OUTPUT XXX;" :MMEM:PACK INTERNAL0 "
```

PURGe

Command :MMEMory:PURGe <name> [, <msus>]

The PURGe command deletes a file from the disk in the drive. The <name> parameter specifies the filename to be deleted.

<name> A string of up to 10 alphanumeric characters for LIF in the following form:

NNNNNNNNNN

or

A string of up to 12 alphanumeric characters for DOS in the following form:

NNNNNNNN.NNN

<msus> Mass Storage Unit specifier. INTERNAL0 for the hard disk drive and INTERNAL1 for the flexible disk drive.

Example

```
OUTPUT XXX;" :MMEMORY:PURGE 'FILE1' "  
OUTPUT XXX;" :MMEM:PURG 'FILE1',INTERNAL0 "
```

CAUTION

Once executed, the purge command permanently erases all the existing information about the specified file. After that, there is no way to retrieve the original information.

PWD (Present Working Directory)

Query :MMEMory:PWD? [<msus>]

The PWD query returns the present working directory for the specified drive. If the <msus> option is not sent, the present working directory will be returned for the current drive.

Returned Format [:MMEMory:PWD] <directory>,<msus><NL>

<directory> String of up to 64 characters with the backslash (\) as separator for DOS and LIF disks.

<msus> Mass Storage Unit specifier. INTERNAL10 for the hard disk drive and INTERNAL11 for the flexible disk drive.

Example

```
OUTPUT XXX; ":MMEMORY:PWD?"  
OUTPUT XXX; ":MMEMORY:PWD? INTERNAL11"
```

REName

Command :MMEMory:REName <name>[,<msus>],<new_name>

The REName command renames a file on the disk in the drive. The <name> parameter specifies the filename to be changed and the <new_name> parameter specifies the new filename.

You cannot rename a file to an already existing filename.

<name> A string of up to 10 alphanumeric characters for LIF in the following form:

NNNNNNNNNN

or

A string of up to 12 alphanumeric characters for DOS in the following form:

NNNNNNNN.NNN

MMEMory Subsystem
STORe [:CONFig]

- <msus> Mass Storage Unit specifier. INTerna10 for the hard disk drive and INTerna11 for the flexible disk drive.
- <new name> A string of up to 10 alphanumeric characters for LIF in the following form:
NNNNNNNNNN
or
A string of up to 12 alphanumeric characters for DOS in the following form:
NNNNNNNN.NNN

Example

```
OUTPUT XXX;" :MMEMORY:RENAME 'OLDFILE', 'NEWFILE' "  
OUTPUT XXX;" :MMEM:REN 'OLDFILE' [ , INTERNAL1 ] , 'NEWFILE' "
```

STORe [:CONFig]

Command :MMEMory:STORe [:CONFig] <name> [, <msus>] ,
<description> [, <module>]

The STORe command stores module or system configurations onto a disk. The [:CONFig] specifier is optional and has no effect on the command. The <name> parameter specifies the file on the disk. The <description> parameter describes the contents of the file. The optional <module> parameter allows you to store the configuration for either the system, the logic analyzer, or the oscilloscope. 2 refers to the oscilloscope, 1 refers to the logic analyzer, and 0 refers to the system.

If the optional <module> parameter is not specified, the configurations for the system, logic analyzer, and oscilloscope are stored.

- <name> A string of up to 10 alphanumeric characters for LIF in the following form:
NNNNNNNNNN
or
A string of up to 12 alphanumeric characters for DOS in the following form:
NNNNNNNN.NNN
- <msus> Mass Storage Unit specifier. INTerna10 for the hard disk drive and INTerna11 for the flexible disk drive.
- <description> A string of up to 32 alphanumeric characters
- <module> An integer, 0 through 2

Example

```
OUTPUT XXX;":MMEM:STOR 'DEFAULTS','SETUPS FOR ALL MODULES'"
OUTPUT XXX;":MEMORY:STORE:CONFIG 'STATEDATA',INTERNAL0,
'ANALYZER 1 CONFIG',1"
```

The appropriate module designator "_X" is added to all files when they are stored. "X" refers to either an __ (double underscore) for the system or an _A for the logic analyzer, or an _B for the oscilloscope.

UPLoad

Query

```
:MMEMory:UPLoad? <name> [ ,<msus> ]
```

The UPLoad query uploads a file. The <name> parameter specifies the file to be uploaded from the disk. The contents of the file are sent out of the instrument in block data form.

This command should only be used for HP 16550A, HP 1660E/ES/EP-series, or HP 1670A-series configuration files.

<name> A string of up to 10 alphanumeric characters for LIF in the following form:

```
NNNNNNNNNN
```

or

A string of up to 12 alphanumeric characters for DOS in the following form:

```
NNNNNNNN.NNN
```

<msus> Mass Storage Unit specifier. INTernal0 for the hard disk drive and INTernal1 for the flexible disk drive.

Returned Format

```
[ :MMEMory:UPLoad] <block_data><NL>
```

Example

```
10 DIM Block$[32000] !allocate enough memory for block data
20 DIM Specifier$[2]
30 OUTPUT XXX;":EOI ON"
40 OUTPUT XXX;":SYSTEM HEAD OFF"
50 OUTPUT XXX;":MMEMORY:UPLOAD? 'FILE1'" !send upload query
60 ENTER XXX USING "#,2A";Specifier$ !read in #8
70 ENTER XXX USING "#,8D";Length !read in block length
80 ENTER XXX USING "-K";Block$ !read in file
90 END
```

VOLume

Query :MMEMemory:VOLume? [<msus>]

TheVOLume query returns the volume type of the disk. The volume types are DOS or LIF. Question marks (???) are returned if there is no disk, if the disk is not formatted, or if a disk has a format other than DOS or LIF.

<msus> Mass Storage Unit specifier. INTerna10 for the hard disk drive and INTerna11 for the flexible disk drive.

Returned Format [:MMEMemory:VOLume]{DOS|LIF|???}<NL>

Example

```
OUTPUT XXX;":MMEMORY:VOLUME?"
```



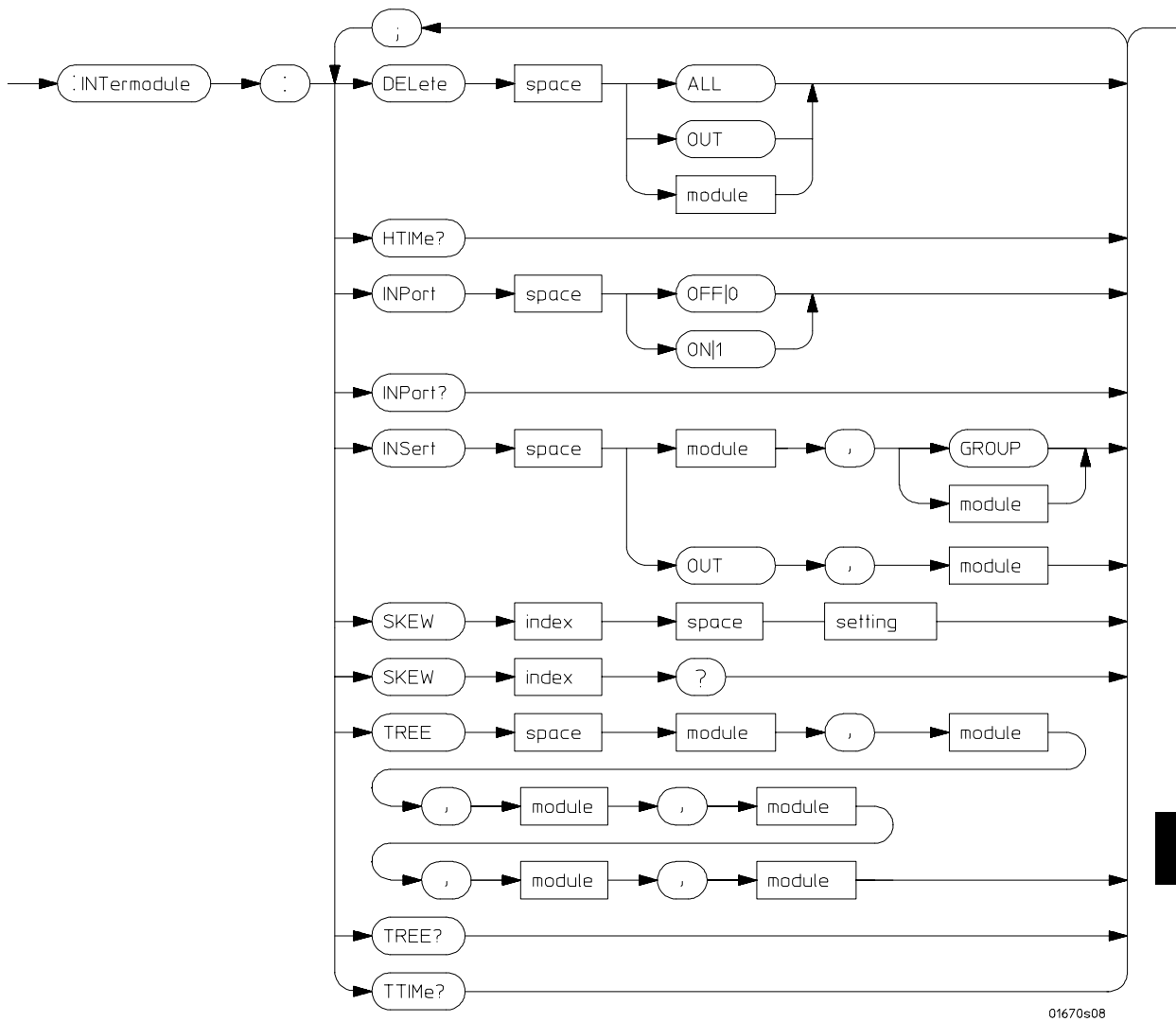
INTermodule Subsystem

Introduction

The INTermodule subsystem commands specify intermodule arming from the rear-panel input BNC or to the rear-panel output BNC. Refer to figure 12-1 and table 12-1 for the INTermodule Subsystem commands syntax diagram. The INTermodule commands are:

- DELeTe
- HTIME
- INPort
- INSert
- SKEW
- TREE
- TTIME

Figure 12-1



INtermodule Subsystem Commands Syntax Diagram

Table 12-1

INtermodule Parameter Values

Parameter	Value
module	An integer, 1 to 10 (3 through 10 unused)
index	An integer, 1 to 10 (3 through 10 unused)
setting	A numeric, - 1.0 to 1.0 in seconds

:INtermodule

Selector

: INtermodule

The INtermodule selector specifies INtermodule as the subsystem the commands or queries following will refer to. Because the INtermodule command is a root level command, it will normally appear as the first element of a compound header.

Example

OUTPUT XXX; " : INTERMODULE : HTIME ? "

DElete

Command

: DElete { ALL | OUT | <module> }

The DElete command is used to delete a module, PORT OUT, or an entire intermodule tree. The <module> parameter sent with the delete command refers to the slot location of the module. The logic analyzer is slot 1 and the oscilloscope is slot 2.

<module> An integer, 1 through 10 (3 through 10 unused)

Example

OUTPUT XXX; " : INTERMODULE : DELETE ALL "
 OUTPUT XXX; " : INTERMODULE : DELETE 1 "

HTIME

Query : HTIME?

The HTIME query returns a value representing the internal hardware skew in the Intermodule configuration. If there is no internal skew, or if intermodule bus is not configured, 9.9E37 is returned.

The internal hardware skew is only a display adjustment for time-correlated waveforms. The value returned is the average propagation delay of the trigger lines through the intermodule bus circuitry. The value is for reference only because the value returned by TTIME includes the internal hardware skew represented by HTIME.

Returned Format [:INtermodule:HTIME]
 <value_1> , <value_2> , 9.9E37 , 9.9E37 , 9.9E37 , <NL>
 <value_1> Skew for logic analyzer (real number)
 <value_2> Skew for oscilloscope (real number)

Example OUTPUT XXX; " : INTERMODULE : HTIME? "

INPort

Command : INPort { {ON|1} | {OFF|0} }

The INPort command causes intermodule acquisitions to be armed from the Input port.

Example OUTPUT XXX; " : INTERMODULE : INPORT ON "

Query : INPort ?

The INPort query returns the current setting.

Returned Format [: INTERmodule : INPort] { 1 | 0 } <NL>

Example OUTPUT XXX; " : INTERMODULE : INPORT ? "

INSert

Command : INSert { <module> | OUT } , { GROUP | <module> }

The INSert command adds PORT OUT to the Intermodule configuration. The first parameter selects the logic analyzer or PORT OUT to be added to the intermodule configuration, and the second parameter tells the instrument where the logic analyzer or PORT OUT will be located. A "1" corresponds to the slot location of the logic analyzer, and a "2" corresponds to the slot location of the oscilloscope.

<module> An integer, 1 through 10 (3 through 10 unused)

Example OUTPUT XXX; " : INTERMODULE : INSERT 1 , GROUP "
 OUTPUT XXX; " : INTERMODULE : INSERT 2 , GROUP "
 OUTPUT XXX; " : INTERMODULE : INSERT OUT , 2 "

SKEW<N>

Command :SKEW<N> <setting>

The SKEW command sets the skew value for a module. The <N> index value is the module number (1 corresponds to the logic analyzer, 2 corresponds to the oscilloscope, and 3 through 10 are unused). The <setting> parameter is the skew setting (- 1.0 to 1.0) in seconds.

<N> An integer, 1 through 10 (3 through 10 unused)

<setting> A real number from -1.0 to 1.0 seconds

Example

OUTPUT XXX; " : INTERMODULE : SKEW1 3.0E-9 "

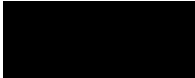
Query : SKEW<N>?

The query returns the user defined skew setting.

Returned Format [INTERmodule : SKEW<N>] <setting><NL>

Example

OUTPUT XXX; " : INTERMODULE : SKEW1? "



TREE

Command : TREE <module> , <module>

The TREE command allows an intermodule setup to be specified in one command. The first parameter is the intermodule arm value for module A, the logic analyzer. The second parameter corresponds to the intermodule arm value for PORT OUT. A -1 means the module is not in the intermodule tree, a 0 value means the module is armed from the Intermodule run button (Group run), and a positive value indicates the module is being armed by another module with the slot location 1 to 10. A 1 corresponds to the slot location of module A (logic analyzer), 2 corresponds to the slot location of module B (oscilloscope) and 3 through 10 are unused in the HP 1660E/ES-series.

<module> An integer, -1 through 10 (3 through 10 unused)

Example

OUTPUT XXX; " : INTERMODULE : TREE 0 , -1 "

Query : TREE ?

The TREE? query returns a string that represents the intermodule tree. A -1 means the module is not in the intermodule tree, a 0 value means the module is armed from the Intermodule run button (Group run), and a positive value indicates the module is being armed by another module with the slot location 1 to 10. A 1 corresponds to the slot location of module A (logic analyzer) and a 2 to the slot location of module B (oscilloscope), 3 through 10 are unused.

Returned Format [INTERmodule : TREE] <module_1> , <module_2> , -1 , -1 , -1 <NL>

Example

OUTPUT XXX; " : INTERMODULE : TREE ? "

TTIME

Query :TTIME?

The TTIME query returns values representing the absolute intermodule trigger time for all of the modules in the Intermodule configuration. The first value is the trigger time for the logic analyzer, the second value is for the oscilloscope, and the others are not applicable to the HP 1660E/ES/EP-series logic analyzers.

The value 9.9E37 is returned when:

- The module is not time correlated; or
- A time-correlatable module did not trigger.

The trigger times returned by this command have already been offset by the INtermodule:SKEW values and internal hardware skews (INtermodule:HTIME).

Returned Format [:INtermodule:TTIME] <value_1>, <value_2>, 0, 0, 0<NL>

<value_1> Trigger time for the logic analyzer (real number)

<value_2> Trigger time for the oscilloscope (real number)

Example OUTPUT XXX; " : INTERMODULE: TTIME? "

Logic Analyzer Commands



MACHine Subsystem

Introduction

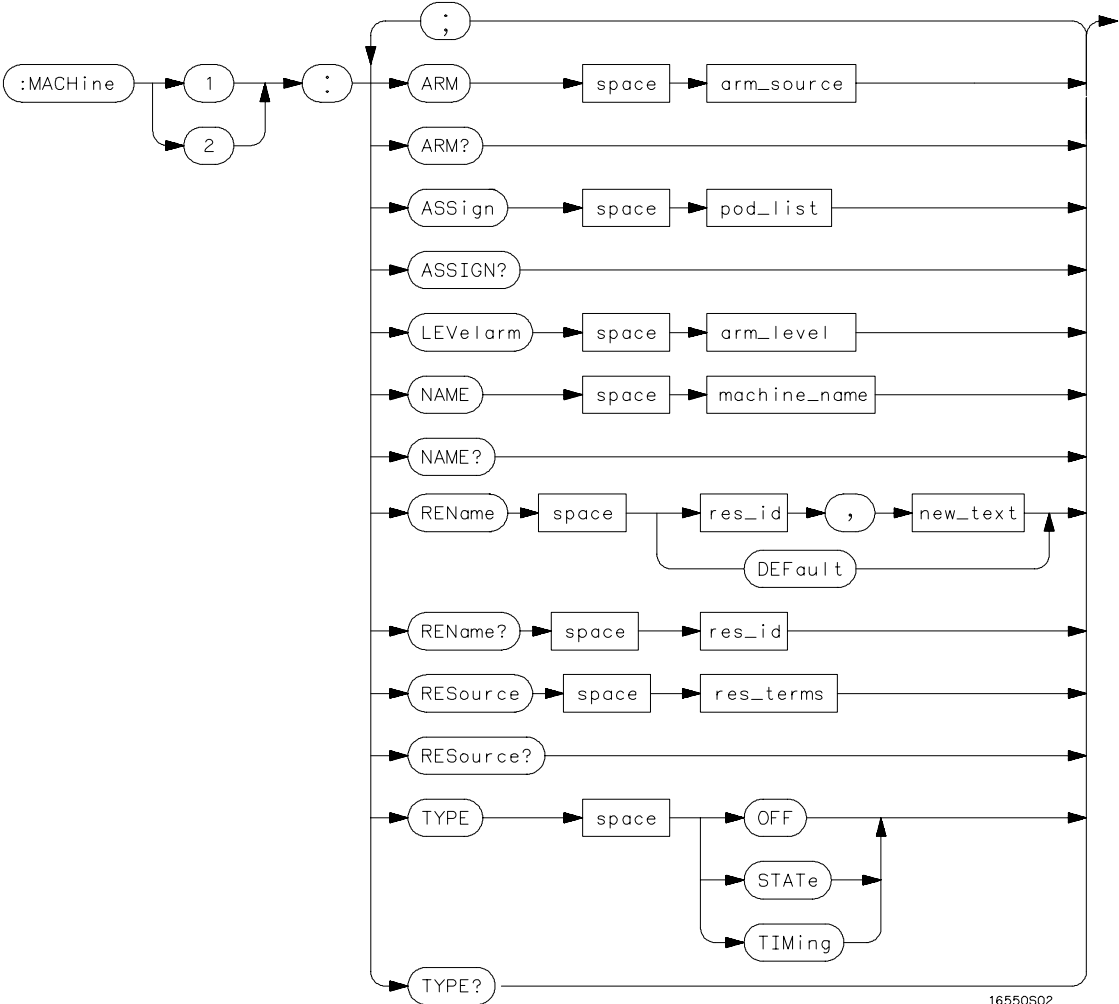
The MACHine subsystem contains the commands that control the machine level of operation of the logic analyzer. The functions of three of these commands reside in the State/Timing Configuration menu. These commands are:

- ASSign
- NAME
- TYPE

Even though the functions of the following commands reside in the Trace menu they are at the machine level of the command tree and are therefore located in the MACHine subsystem. These commands are:

- ARM
- LEVelarm
- REName
- RESource

Figure 13-1



MACHine Subsystem Syntax Diagram

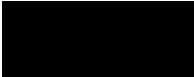


Table 13-1

Machine Parameter Values

Parameter	Values
arm_source	{RUN INtermodule MACHine{1 2}}
pod_list	{NONE <pod_num>[, <pod_num>]...}
pod_num	{1 2 3 4 5 6 7 8}
arm_level	An integer from 1 to 11 representing sequence level
machine_name	A string of up to 10 alphanumeric characters
res_id	<state_terms> for state analyzer or {<state_terms> GLEdGe{1 2}} for timing analyzer
new_text	A string of up to 8 alphanumeric characters
state_terms	{A B C D E F G H I J RANGE{1 2} TIMER{1 2}}
res_terms	{<res_id>[, <res_id>]...}

MACHine

Selector

:MACHine<N>

The MACHine <N> selector specifies which of the two analyzers (machines) available in the HP 1660E/ES/EP-series the commands or queries following will refer to. Because the MACHine<N> command is a root level command, it will normally appear as the first element of a compound header.

<N> {1|2} (the machine number)

Example

```
OUTPUT XXX; ":MACHINE1:NAME 'TIMING' "
```

ARM

Command :MACHine{1|2}:ARM <arm_source>

The ARM command specifies the arming source of the specified analyzer (machine). The RUN option disables the arm source. For example, if you do not want to use either the intermodule bus or the other machine to arm the current machine, you specify the RUN option.

<arm_source> {RUN|INTERmodule|MACHine{1|2}}

Example

OUTPUT XXX; ":MACHINE1:ARM MACHINE2"

Query :MACHine{1|2}:ARM?

The ARM query returns the source that the current analyzer (machine) will be armed by.

Returned Format [:MACHine{1|2}:ARM] <arm_source>

Example

OUTPUT XXX; ":MACHINE:ARM?"

ASSign

Command :MACHine{1|2}:ASSign <pod_list>

The ASSign command assigns pods to a particular analyzer (machine). The ASSign command will assign two pods for each pod number you specify because pods must be assigned to analyzers in pairs.

<pod_list> {NONE|<pod#>[, <pod#>]...}

<pod#> {1|2|3|4|5|6|7|8}



MACHine Subsystem LEVelarm

Example OUTPUT XXX;":MACHINE1:ASSIGN 5, 2, 1"

Query :MACHine{1|2}:ASSign?

The ASSign query returns which pods are assigned to the current analyzer (machine).

Returned Format [:MACHine{1|2}:ASSign] <pod_list><NL>

<pod_list> {NONE|<pod#>[, <pod#>]...}

<pod#> {1|2|3|4|5|6|7|8}

Example OUTPUT XXX;":MACHINE1:ASSIGN?"

LEVelarm

Command :MACHine{1|2}:LEVelarm <arm_level>

The LEVelarm command allows you to specify the sequence level for a specified machine that will be armed by the Intermodule Bus or the other machine. This command is only valid if the specified machine is on and the arming source is not set to RUN with the ARM command.

<arm_level> An integer from 1 to the maximum number of levels specified in the appropriate trigger menu.

Example OUTPUT XXX;":MACHINE1:LEVELARM 2"

Query :MACHine{1|2}:LEVelarm?

The LEVelarm query returns the current sequence level receiving the arming for a specified machine.

Returned Format: [:MACHine{1|2}:LEVelarm] <arm_level><NL>
 <arm_level> An integer from 1 to 11 representing sequence level

Example OUTPUT XXX; " :MACHINE1 :LEVELARM? "

NAME

Command :MACHine{1|2}:NAME <machine_name>

The NAME command allows you to assign a name of up to 10 characters to a particular analyzer (machine) for easier identification.

<machine_name> A string of up to 10 alphanumeric characters

Example OUTPUT XXX; " :MACHINE1 :NAME 'DRAMTEST' "

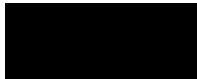
Query :MACHine{1|2}:NAME?

The NAME query returns the current analyzer name as an ASCII string.

Returned Format [:MACHine{1|2}:NAME] <machine_name><NL>

<machine_name> A string of up to 10 alphanumeric characters

Example OUTPUT XXX; " :MACHINE1 :NAME? "



REName

Command :MACHine{1|2}:REName {<res_id>, <new_text> | DEFault}

The REName command allows you to assign a specific name of up to eight characters to terms A through J, Range 1 and 2, and Timer 1 and 2 in the state analyzer. In the timing analyzer, GLEDge (glitch/edge) 1 and 2 can be renamed in addition to the terms available in the state analyzer. The DEFault option sets all resource term names to the default names assigned when turning on the instrument.

<res_id> <state_terms> for state analyzer
or
{<state_terms>|GLEDge{1|2}} for timing analyzer
<new_text> A string of up to 8 alphanumeric characters

Example OUTPUT XXX;":MACHINE1:RENAME A,'DATA' "

Query :MACHine{1|2}:RENAME? <res_id>

The REName query returns the current names for specified terms assigned to the specified analyzer.

Returned Format [:MACHine{1|2}:RENAME] <res_id>,<new_text><NL>

<res_id> <state_terms> for state analyzer
or
{<state_terms>|GLEDge{1|2}} for timing analyzer
<new_text> A string of up to 8 alphanumeric characters

Example OUTPUT XXX;":MACHINE1:RENAME? D"

RESource

Command :MACHine{1|2}:RESource <res_terms>

The RESource command allows you to assign resource terms A through J, Range 1 and 2, and Timer 1 and 2 to a particular analyzer (machine 1 or 2).

In the timing analyzer only, two additional resource terms are available. These terms are GLEDge (Glitch/Edge) 1 and 2. These terms will always be assigned to the machine that is configured as the timing analyzer.

<res_terms> {A|B|C|D|E|F|G|H|I|J|TImEr1|TImEr2|RANGe1|RANGe2|GLEdGe1|GLEdGe2}

Example OUTPUT XXX; ":MACHINE1:RESOURCE A,C,RANGE1 "

Query :MACHine{1|2}:RESOURCE?

The RESource query returns the current resource terms assigned to the specified analyzer.

Returned Format [:MACHine{1|2}:RESOURCE] <res_terms>[,<res_terms>,...]<NL>

<res_terms> {A|B|C|D|E|F|G|H|I|J|TImEr1|TImEr2|RANGe1|RANGe2|GLEdGe1|GLEdGe2}

Example OUTPUT XXX; ":MACHINE1:RESOURCE? "

TYPE

Command `:MACHine{1|2}:TYPE <analyzer_type>`

The TYPE command specifies what type a specified analyzer (machine) will be. The analyzer types are state or timing. The TYPE command also allows you to turn off a particular machine.

Only one timing analyzer can be specified at a time.

<analyzer_type> {OFF|STATe|TIMing|SPA}

Example `OUTPUT XXX;":MACHINE1:TYPE STATE"`

Query `:MACHine{1|2}:TYPE?`

The TYPE query returns the current analyzer type for the specified analyzer.

Returned Format `[:MACHine{1|2}:TYPE] <analyzer_type><NL>`

<analyzer_type> {OFF|STATe|TIMing}

Example `OUTPUT XXX;":MACHINE1:TYPE?"`

 
WLIS_t Subsystem

Introduction

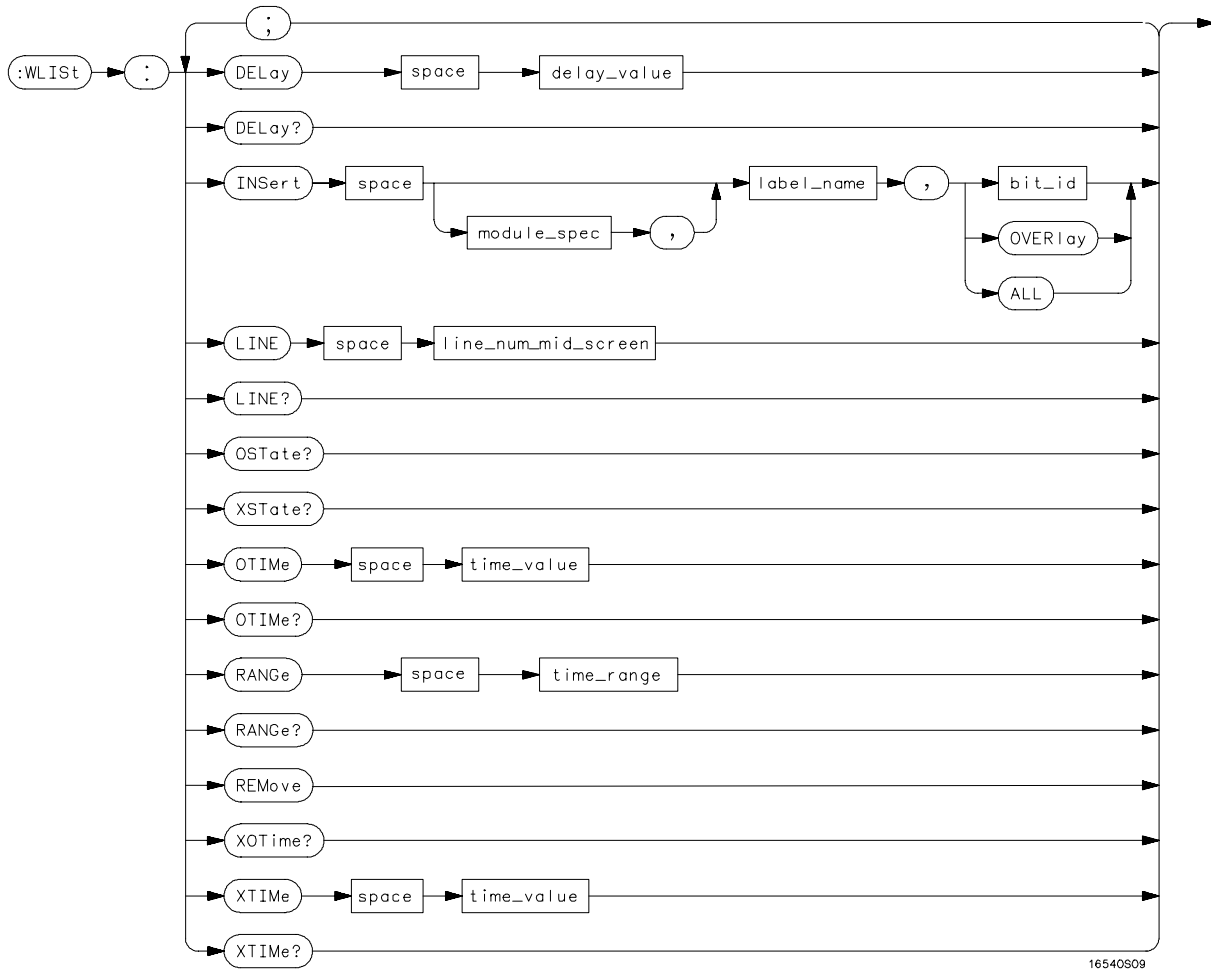
The WLISt subsystem contains the commands available for the Timing/State mixed mode display. The X and O markers can only be placed on the waveforms in the waveform portion of the Timing/State mixed mode display. The XState and OState queries return what states the X and O markers are on. Because the markers can only be placed on the timing waveforms, the queries return what state (state acquisition memory location) the marked pattern is stored in.

In order to have mixed mode, one machine must be a state analyzer with time tagging on (use MACHine<N>:STRigger:TAG TIME) and the other must be a timing analyzer.

The WLISt subsystem commands are:

- DELay
- INSert
- LINE
- OSTate
- OTIME
- RANGe
- REMove
- XOTime
- XState
- XTIME

Figure 14-1



WLISt Subsystem Syntax Diagram

Table 14-1

WLISt Parameter Values

Parameter	Value
delay_value	Real number between -2500 s and +2500 s
module_spec	{ 1 2 3 4 5 6 7 8 9 10 } (analyzer location; always 1 for HP 1660)
bit_id	An integer from 0 to 31
label_name	String of up to 6 alphanumeric characters
line_num_mid_screen	An integer from -8191 to +8191
time_value	Real number
time_range	Real number between 10 ns and 10 ks

WLISt (Waveforms/LISting)

Selector

:WLISt

The WLISt selector is used as a part of a compound header to access the settings normally found in the Mixed Mode menu. Because the WLISt command is a root level command, it will always appear as the first element of a compound header.

The WLISt subsystem is only available when one or more state analyzers, with time tagging on, are specified.

Example

```
OUTPUT XXX;":WLISt:XTIME 40.0E-6"
```

DELaY

Command :MACHine{1|2}:WLISt:DELaY <delay_value>

The DELaY command specifies the amount of time between the timing trigger and the horizontal center of the the timing waveform display. The allowable values for delay are -2500 s to +2500 s.

<delay_value> Real number between -2500 s and +2500 s.

Example

OUTPUT XXX; ":MACHINE1:WLIST:DELAY 100E-6"

Query :MACHine{1|2}:WLISt:DELaY?

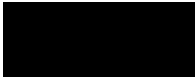
The DELaY query returns the current time offset (delay) value from the trigger.

Returned Format [:MACHine{1|2}:WLISt:DELaY] <time_value><NL>

<delay_value> Real number between -2500 s and +2500 s.

Example

OUTPUT XXX; ":MACHINE1:WLIST:DELAY?"



INSert

Command :MACHine{1|2}:WLISt:INSert [<module_spec> ,]
 <label_name>[, {<bit_id> | OVERlay | ALL}]

The INSert command inserts waveforms in the timing waveform display. The waveforms are added from top to bottom up to a maximum of 96 waveforms. Once 96 waveforms are present, each time you insert another waveform, it replaces the last waveform.

The first parameter specifies from which module the waveform is coming from; however, the HP 1660E-series logic analyzers are single-module instruments. Therefore, for the HP 1660E models only, this parameter is not needed. It is described here as a reminder that programs for the HP 16500A logic analysis system can be used. HP 1660ES models can also insert waveforms from the oscilloscope. To insert an oscilloscope waveform you must specify the first parameter as 2. If you do not specify "2", the analyzer is assumed. The second parameter specifies the label name that will be inserted. The optional third parameter specifies the label bit number, overlay, or all. If a number is specified, only the waveform for that bit number is added to the screen.

If you specify OVERlay, all the bits of the label are displayed as a composite overlaid waveform. If you specify ALL, all the bits are displayed sequentially. If you do not specify the third parameter, ALL is assumed.

<module_spec> {1|2|3|4|5|6|7|8|9|10} (3 through 10 not used)

 <label_name> String of up to 6 alphanumeric characters for analyzer waveforms or
 String of one character and one digit for oscilloscope waveforms (CS models
 only).

 <bit_id> An integer from 0 to 31

Example OUTPUT XXX;":MACHINE1:WLIST:INSERT 3, 'WAVE',10"

LINE

Command :MACHine{1|2}:WLISt:LINE <line_num_mid_screen>

The LINE command allows you to scroll the state analyzer listing vertically. The command specifies the state line number relative to the trigger that the analyzer highlights at the center of the screen.

<line_num_mid_screen> An integer from -8191 to +8191

Example

OUTPUT XXX; ":MACHINE1:WLIST:LINE 0"

Query :MACHine{1|2}:WLISt:LINE?

The LINE query returns the line number for the state currently in the box at center screen.

Returned Format [:MACHine{1|2}:WLISt:LINE] <line_num_mid_screen><NL>

Example

OUTPUT XXX; ":MACHINE1:WLIST:LINE?"



OSTate

Query :WLISt:OSTate?

The OSTate query returns the state where the O Marker is positioned. If data is not valid, the query returns 32767.

Returned Format [:WLISt:OSTate] <state_num><NL>
<state_num> An integer from -8191 to +8191

Example OUTPUT XXX;":WLISt:OSTATE?"

OTIME

Command :WLISt:OTIME <time_value>

The OTime command positions the O Marker on the timing waveforms in the mixed mode display. If the data is not valid, the command does nothing.

<time_value> A real number

Example OUTPUT XXX;":WLISt:OTIME 40.0E-6"

Query :WLISt:OTIME?

The OTime query returns the O Marker position in time. If data is not valid, the query returns 9.9E37.

Returned Format [:WLISt:OTIME] <time_value><NL>
<time_value> A real number

Example OUTPUT XXX;":WLISt:OTIME?"

RANGe

Command :MACHine{1|2}:WLISt:RANGe <time_value>

The RANGe command specifies the full-screen time in the timing waveform menu. It is equivalent to ten times the seconds per division setting on the display. The allowable values for RANGe are from 10 ns to 10 ks.

<time_value> A real number between 10 ns and 10 ks

Example OUTPUT XXX; ":MACHINE1:WLIST:RANGE 100E-9"

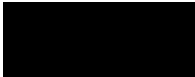
Query :MACHine{1|2}:WLISt:RANGe?

The RANGe query returns the current full-screen time.

Returned Format [:MACHine{1|2}:WLISt:RANGe] <time_value><NL>

<time_value> A real number between 10 ns and 10 ks

Example OUTPUT XXX; ":MACHINE1:WLIST:RANGE?"



REMove

Command :MACHine{1|2}:WLISt:REMove

The REMove command deletes all waveforms from the display.

Example OUTPUT XXX; ":MACHINE1:WLIST:REMOVE "

XOTime

Query :MACHine{1|2}:WLISt:XOTime?

The XOTime query returns the time from the X marker to the O marker. If data is not valid, the query returns 9.9E37.

Returned Format [:MACHine{1|2}:WLISt:XOTime] <time_value><NL>
<time_value> A real number

Example OUTPUT XXX; ":MACHINE1:WLIST:XOTIME?"

XState

Query :WLISt:XState?

The XState query returns the state where the X Marker is positioned. If data is not valid, the query returns 32767.

Returned Format [:WLISt:XState] <state_num><NL>
<state_num> An integer

Example OUTPUT XXX; ":WLIST:XSTATE?"

XTIME

Command :WLISt:XTIME <time_value>

The XTIME command positions the X Marker on the timing waveforms in the mixed mode display. If the data is not valid, the command performs no action.

<time_value> A real number

Example

OUTPUT XXX; ":WLISt:XTIME 40.0E-6"

Query :WLISt:XTIME?

The XTIME query returns the X Marker position in time. If data is not valid, the query returns 9.9E37.

Returned Format [:WLISt:XTIME] <time_value><NL>

<time_value> A real number

Example

OUTPUT XXX; ":WLISt:XTIME?"





SFORmat Subsystem

Introduction

The SFORmat subsystem contains the commands available for the State Format menu in the HP 1660E/ES/EP-series logic analyzers. These commands are:

- CLOCK
- LABEL
- MASTER
- MODE
- MOPQual
- MQUal
- REMOVE
- SETHold
- SLAVE
- SOPQual
- SQUal
- THRESHold

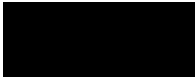
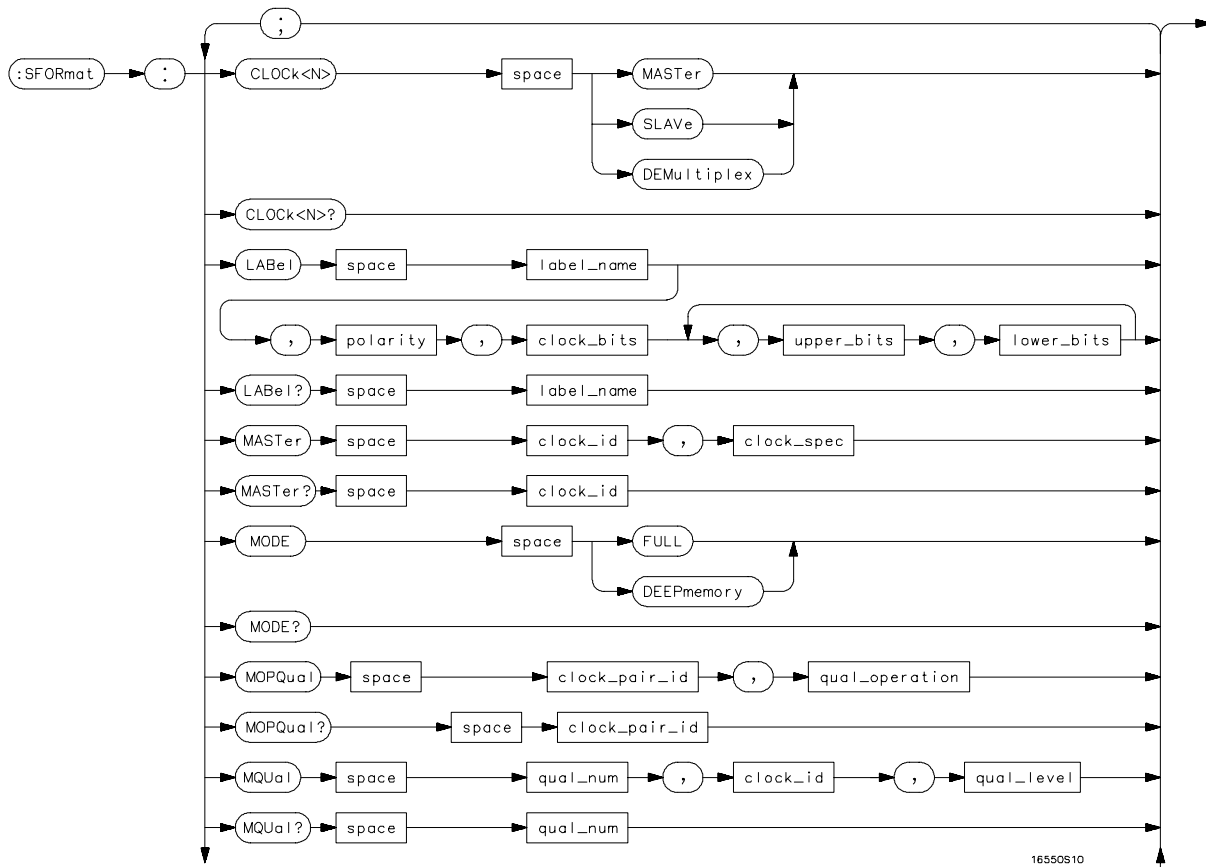
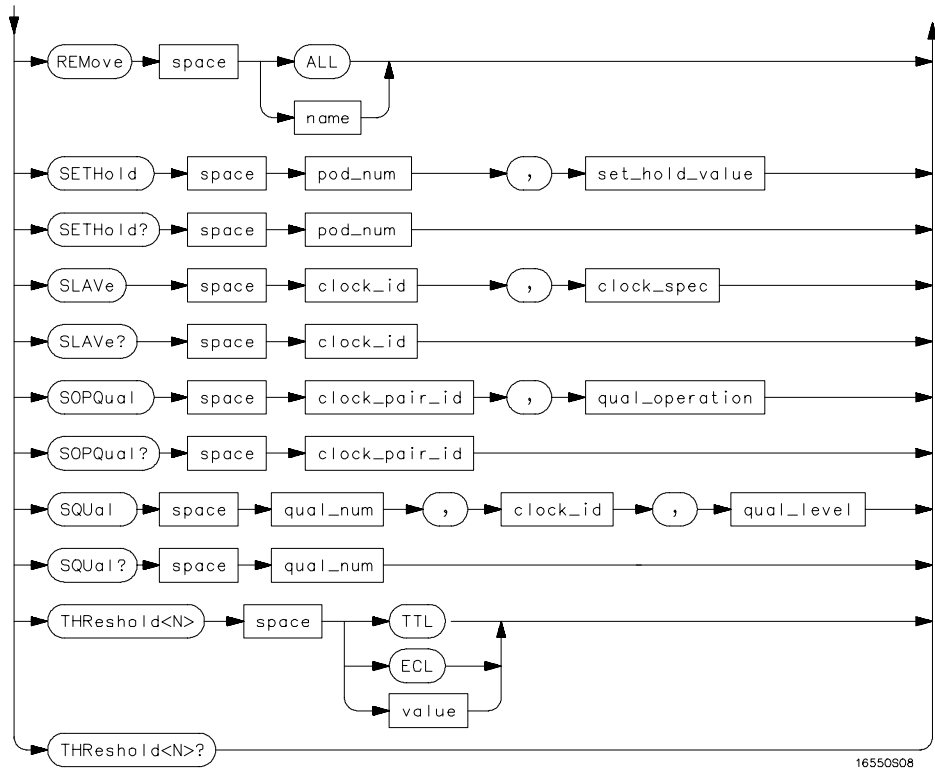


Figure 15-1



SFORmat Subsystem Syntax Diagram

Figure 15-1



SFORmat Subsystem Syntax Diagram (continued)

Table 15-1

SFORmat Parameter Values

Parameter	Values
<N>	{ {1 2} {3 4} {5 6} {7 8} }
label_name	String of up to 6 alphanumeric characters
polarity	{ POSitive NEGative }
clock_bits	Format (integer from 0 to 63) for a clock (clocks are assigned in decreasing order)
upper_bits	Format (integer from 0 to 65535) for a pod (pods are assigned in decreasing order)
lower_bits	Format (integer from 0 to 65535) for a pod (pods are assigned in decreasing order)
clock_id	{ J K L M N P }
clock_spec	{ OFF RISing FALLing BOTH }
clock_pair_id	{ 1 2 }
qual_operation	{ AND OR }
qual_num	{ 1 2 3 4 }
qual_level	{ OFF LOW HIGH }
pod_num	{ 1 2 3 4 5 6 7 8 }
set_hold_value	{ 0 1 2 3 4 5 6 7 8 9 }
value	voltage (real number) -6.00 to +6.00

SFOrmat

Selector :MACHine{1|2}:SFOrmat

The SFOrmat (State Format) selector is used as a part of a compound header to access the settings in the State Format menu. It always follows the MACHine selector because it selects a branch directly below the MACHine level in the command tree.

Example

OUTPUT XXX;" :MACHINE2:SFOrmat:MASTER J, RISING"

CLOCK

Command :MACHine{1|2}:SFOrmat:CLOCK<N> <clock_mode>

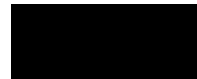
The CLOCK command selects the clocking mode for a given pod when the pod is assigned to the state analyzer. When the MASTer option is specified, the pod will sample all 16 channels on the master clock. When the SLAVe option is specified, the pod will sample all 16 channels on the slave clock. When the DEMultiplex option is specified, only one pod of a pod pair can acquire data. The 16 bits of the selected pod will be clocked by the demultiplex master for labels with bits assigned under the Master pod. The same 16 bits will be clocked by the demultiplex slave for labels with bits assigned under the Slave pod. The master clock always follows the slave clock when both are used.

<N> { {1|2} | {3|4} | {5|6} | {7|8} } 1 through 8 for the HP 1660E/ES/EP, 1 through 6 for the HP 1661E/ES/EP, 1 through 4 for the HP 1662E/ES/EP, and 1 through 2 for the HP 1663E/ES/EP.

<clock_mode> {MASTer|SLAVe|DEMultiplex}

Example

OUTPUT XXX;" :MACHINE1:SFOrmat:CLOCK2 MASTER"



Query `:MACHine{1|2}:SFORmat:CLOCK<N>?`

The CLOCK query returns the current clocking mode for a given pod.

Returned Format `[:MACHine{1|2}:SFORmat:CLOCK<N>] <clock_mode><NL>`

Example `OUTPUT XXX; ":MACHINE1:SFORMAT:CLOCK2?"`

LABel

Command `:MACHine{1|2}:SFORmat:LABel <name>,[<polarity>,<clock_bits>,<upper_bits>,<lower_bits>[,<upper_bits>,<lower_bits>]...]`

The LABel command allows you to specify polarity and assign channels to new or existing labels. If the specified label name does not match an existing label name, a new label will be created.

The order of the pod-specification parameters is significant. The first one listed will match the highest numbered pod assigned to the machine you're using. Each pod specification after that is assigned to the next highest numbered pod. This way they match the left-to-right descending order of the pods you see on the Format display. Not including enough pod specifications results in the lowest numbered pod(s) being assigned a value of zero (all channels excluded). If you include more pod specifications than there are pods for that machine, the extra ones will be ignored. However, an error is reported anytime when more than 13 pod specifications are listed.

The polarity can be specified at any point after the label name.

Because pods contain 16 channels, the format value for a pod must be between 0 and 65535 ($2^{16}-1$). When giving the pod assignment in binary (base 2), each bit will correspond to a single channel. A "1" in a bit position means the associated channel in that pod is assigned to that pod and bit. A "0" in a bit position means the associated channel in that pod is excluded from the label. For example, assigning #B1111001100 is equivalent to entering ".....****..**.." from the front panel.

A label cannot have a total of more than 32 channels assigned to it.

<name> String of up to 6 alphanumeric characters

SFORmat Subsystem
LABel

<polarity> {POSitive|NEGative}
<clock_bits> Format (integer from 0 to 63) for a clock (clocks are assigned in decreasing order)
<upper_bits> Format (integer from 0 to 65535) for a pod (pods are assigned in decreasing order)
<lower_bits> Format (integer from 0 to 65535) for a pod (pods are assigned in decreasing order)

Example

```
OUTPUT XXX;" :MACHINE2:SFORMAT:LABEL 'STAT', POSITIVE,
0,127,40312"
OUTPUT XXX;" :MACHINE2:SFORMAT:LABEL 'SIG 1', #B11,
#B0000000011111111,#B0000000000000000 "
```

Query

:MACHine{1|2}:SFORMat:LABel? <name>

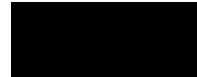
The LABel query returns the current specification for the selected (by name) label. If the label does not exist, nothing is returned. The polarity is always returned as the first parameter. Numbers are always returned in decimal format.

Returned Format

[:MACHine{1|2}:SFORMat:LABel] <name>,<polarity>
[, <clock_bits>, <upper_bits>, <lower_bits>]<NL>

Example

```
OUTPUT XXX;" :MACHINE2:SFORMAT:LABEL? 'DATA' "
```



MASTer

Command Syntax: :MAChine{1|2}:SFORmat:MASTer <clock_id>,
 <clock_spec>

The MASTer clock command allows you to specify a master clock for a given machine. The master clock is used in all clocking modes (Master, Slave, and Demultiplexed). Each command deals with only one clock (J,K,L,M,N,P); therefore, a complete clock specification requires six commands, one for each clock. Edge specifications (RISing, FALLing, or BOTH) are ORed.

At least one clock edge must be specified.

<clock_id> {J|K|L|M|N|P}
<clock_spec> {OFF|RISing|FALLing|BOTH}

Example

OUTPUT XXX;":MACHINE2:SFORmat:MASTer J, RISING"

Query :MAChine{1|2}:SFORmat:MASTer? <clock_id>

Returned Format The MASTer query returns the clock specification for the specified clock.
 [:MAChine{1|2}:SFORmat:MASTer]<clock_id>,<clock_spec><NL>

Example

OUTPUT XXX;":MACHINE2:SFORmat:MASTer? <clock_id>"

MODE

Command `:MACHine{1|2}:SFORmat:MODE <acq_mode>`

The MODE command allows you to select the acquisition mode of the state analyzer. The modes are either full-channel with 4 Kbits of memory depth per channel or half-channel with 8 Kbits of memory depth per channel.

`<acq_mode>` {FULL|DEEPmemory}

Example

OUTPUT XXX;":MACHine1:SFORmat:MODE FULL"

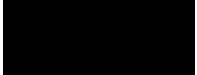
Query `:MACHine{1|2}:SFORmat:MODE?`

The MODE query returns the current acquisition mode.

Returned Format `[:MACHine{1|2}:SFORmat:MODE] <acq_mode><NL>`

Example

OUTPUT XXX;":MACHINE1:SFORmat:MODE?"



MOPQual

Command :MACHine{1|2}:SFORmat:MOPQual <clock_pair_id>,
 <qual_operation>

The MOPQual (master operation qualifier) command allows you to specify either the AND or the OR operation between master clock qualifier pair 1 and 2, or between master clock qualifier pair 3 and 4. For example, you can specify a master clock operation qualifer 1 AND 2.

<clock_pair_id> {1|2}

 <qual_ {AND|OR}
 operation>

Example OUTPUT XXX; ":MACHINE1:SFORmat:MOPQUAL 1,AND"

Query :MACHine{1|2}:SFORmat:MOPQual? <clock_pair_id>

The MOPQual query returns the operation qualifier specified for the master clock.

Returned Format: [:MACHine{1|2}:SFORmat:MOPQual <clock_pair_id>]
 <qual_operation><NL>

Example OUTPUT XXX; ":MACHine1:SFORmat:MOPQUAL? 1"

MQUal

Command :MACHine{1|2}:SFOrmat:MQUal
<qual_num>, <clock_id>, <qual_level>

The MQUal (master qualifier) command allows you to specify the level qualifier for the master clock.

<qual_num> { {1|2} | {3|4} } 1 through 4 for HP 1660E/ES/EP, HP 1661E/ES/EP, HP 1662E/ES/EP; 1 or 2 for HP 1663E/ES/EP.
<clock_id> {J|K|L|M|N|P}
<qual_level> {OFF|LOW|HIGH}

Example OUTPUT XXX;":MACHINE2:SFOrmat:MQUAL 1,J,LOW"

Query :MACHine{1|2}:SFOrmat:MQUal? <qual_num>

The MQUal query returns the qualifier specified for the master clock.

Returned Format [:MACHine{1|2}:SFOrmat:MQUal] <qual_level><NL>

Example OUTPUT XXX;":MACHINE2:SFOrmat:MQUAL? 1"



REMove

Command :MACHine{1|2}:SFORmat:REMove {<name>|ALL}

The REMove command allows you to delete all labels or any one label for a given machine.

<name> String of up to 6 alphanumeric characters

Example

```
OUTPUT XXX; ":MACHINE2:SFORMAT:REMOVE 'A' "
OUTPUT XXX; ":MACHINE2:SFORMAT:REMOVE ALL"
```

SETHold

Command :MACHine{1|2}:SFORmat:SETHold <pod_num>,
<set_hold_value>

The SETHold (setup/hold) command allows you to set the setup and hold specification for the state analyzer.

<pod_num> {{1|2}|{3|4}|{5|6}|{7|8}} 1 through 8 for the HP 1660E/ES/EP, 1 through 6 for the HP 1661E/ES/EP, 1 through 4 for the HP 1662E/ES/EP, and 1 through 2 for the HP 1663E/ES/EP.

<set_hold_value> An integer {0|1|2|3|4|5|6|7|8|9} representing the setup and hold values in table 15-2 on the next page.

Example

```
OUTPUT XXX; ":MACHINE2:SFORMAT:SETHOLD 1,2"
```

Table 15-2

Setup and hold values

For one clock and one edge	For one clock and both edges	For multiple clocks
0 = 3.5/0.0 ns	0 = 4.0/0.0	0 = 4.5/0.0
1 = 3.0/0.5 ns	1 = 3.5/0.5	1 = 4.0/0.5
2 = 2.5/1.0 ns	2 = 3.0/1.0	2 = 3.5/1.0
3 = 2.0/1.5 ns	3 = 2.5/1.5	3 = 3.0/1.5
4 = 1.5/2.0 ns	4 = 2.0/2.0	4 = 2.5/2.0
5 = 1.0/2.5 ns	5 = 1.5/2.5	5 = 2.0/2.5
6 = 0.5/3.0 ns	6 = 1.0/3.0	6 = 1.5/3.0
7 = 0.0/3.5 ns	7 = 0.5/3.5	7 = 1.0/3.5
N/A	8 = 0.0/4.0	8 = 0.5/4.0
N/A	N/A	9 = 0.0/4.5

Query `:MACHine{1|2}:SFORMAT:SETHOLD? <pod_num>`

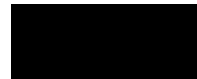
The SETHold query returns the current setup and hold settings.

Returned Format `[:MACHine{1|2}:SFORMAT:SETHold <pod_num>] <set_hold_value><NL>`

Example

OUTPUT XXX; " :MACHINE2:SFORMAT:SETHOLD? 3 "

Even though the command requires integers to specify the setup and hold, the query returns the current settings in a string. For example, if you send the integer 0 for the setup and hold value, the query will return 3.5/0.0 ns as an ASCII string when you have one clock and one edge specified.



SLAVE

Command :MACHine{1|2}:SFORMat:SLAVE
 <clock_id>, <clock_spec>

The SLAVE clock command allows you to specify a slave clock for a given machine. The slave clock is only used in the Slave and Demultiplexed clocking modes. Each command deals with only one clock (J,K,L,M,N,P); therefore, a complete clock specification requires six commands, one for each clock. Edge specifications (RISing, FALLing, or BOTH) are ORed.

When slave clock is being used at least one edge must be specified.

<clock_id> {J|K|L|M|N|P}
<clock_spec> {OFF|RISing|FALLing|BOTH}

Example OUTPUT XXX; ":MACHINE2:SFORMAT:SLAVE J, RISING"

Query :MACHine{1|2}:SFORMat:SLAVE?<clock_id>

Returned Format [:MACHine{1|2}:SFORMat:SLAVE] <clock_id>, <clock_spec><NL>

Example OUTPUT XXX; ":MACHINE2:SFORMAT:SLAVE? K"

SOPQual

Command `:MACHine{1|2}:SFORmat:SOPQual <clock_pair_id>,
<qual_operation>`

The SOPQual (slave operation qualifier) command allows you to specify either the AND or the OR operation between slave clock qualifier pair 1 and 2, or between slave clock qualifier pair 3 and 4. For example you can specify a slave clock operation qualifer 1 AND 2.

`<clock_pair_id>` {1|2} 1 is qualifier for pair 1 and 2; 2 is qualifier for pair 3 and 4.

`<qual_operation>` {AND|OR}

Example

OUTPUT XXX;" :MACHine2:SFORmat:SOPQUAL 1,AND"

Query `:MACHine{1|2}:SFORmat:SOPQual? <clock_pair_id>`

The SOPQual query returns the operation qualifier specified for the slave clock.

Returned Format `[:MACHine{1|2}:SFORmat:SOPQual <clock_pair_id>]
<qual_operation><NL>`

Example

OUTPUT XXX;" :MACHine2:SFORmat:SOPQUAL? 1"



SQUal

Command :MACHine{1|2}:SFORmat:SQUal <qual_num>,<clock_id>,<qual_level>

The SQUal (slave qualifier) command allows you to specify the level qualifier for the slave clock.

<qual_num> {{1|2}|{3|4}} 1 through 4 for HP 1660E/ES/EP, HP 1661E/ES/EP, HP 1662E/ES/EP; or, 1 or 2 for HP 1663E/ES/EP.

<clock_id> {J|K|L|M|N|P}

<qual_level> {OFF|LOW|HIGH}

Example

OUTPUT XXX; ":MACHINE2:SFORMAT:SQUAL 1,J,LOW"

Query :MACHine{1|2}:SFORmat:SQUal?<qual_num>

The SQUal query returns the qualifier specified for the slave clock.

Returned Format [:MACHine{1|2}:SFORmat:SQUal] <clock_id>,<qual_level><NL>

Example

OUTPUT XXX; ":MACHINE2:SFORMAT:SQUAL? 1"

THReshold

Command :MAChine{1|2}:SFORmat:THReshold<N>
 {TTL|ECL|<value>}

The THReshold command allows you to set the voltage threshold for a given pod to ECL, TTL, or a specific voltage from -6.00 V to +6.00 V in 0.05 volt increments.

<N> {{1|2}|{3|4}|{5|6}|{7|8}} 1 through 8 for the HP 1660E/ES/EP, 1 through 6 for the HP 1661E/ES/EP, 1 through 4 for the HP 1662E/ES/EP, and 1 or 2 for the HP 1663E/ES/EP.

<value> Voltage (real number) -6.00 to +6.00

TTL Default value of +1.6 V

ECL Default value of -1.3 V

Example

OUTPUT XXX;" :MACHINE1:SFORmat:THRESHOLD1 4.0 "

Query :MAChine{1|2}:SFORmat:THReshold<N>?

The THReshold query returns the current threshold for a given pod.

Returned Format [:MAChine{1|2}:SFORmat:THReshold<N>] <value><NL>

Example

OUTPUT XXX;" :MACHINE1:SFORmat:THRESHOLD4? "



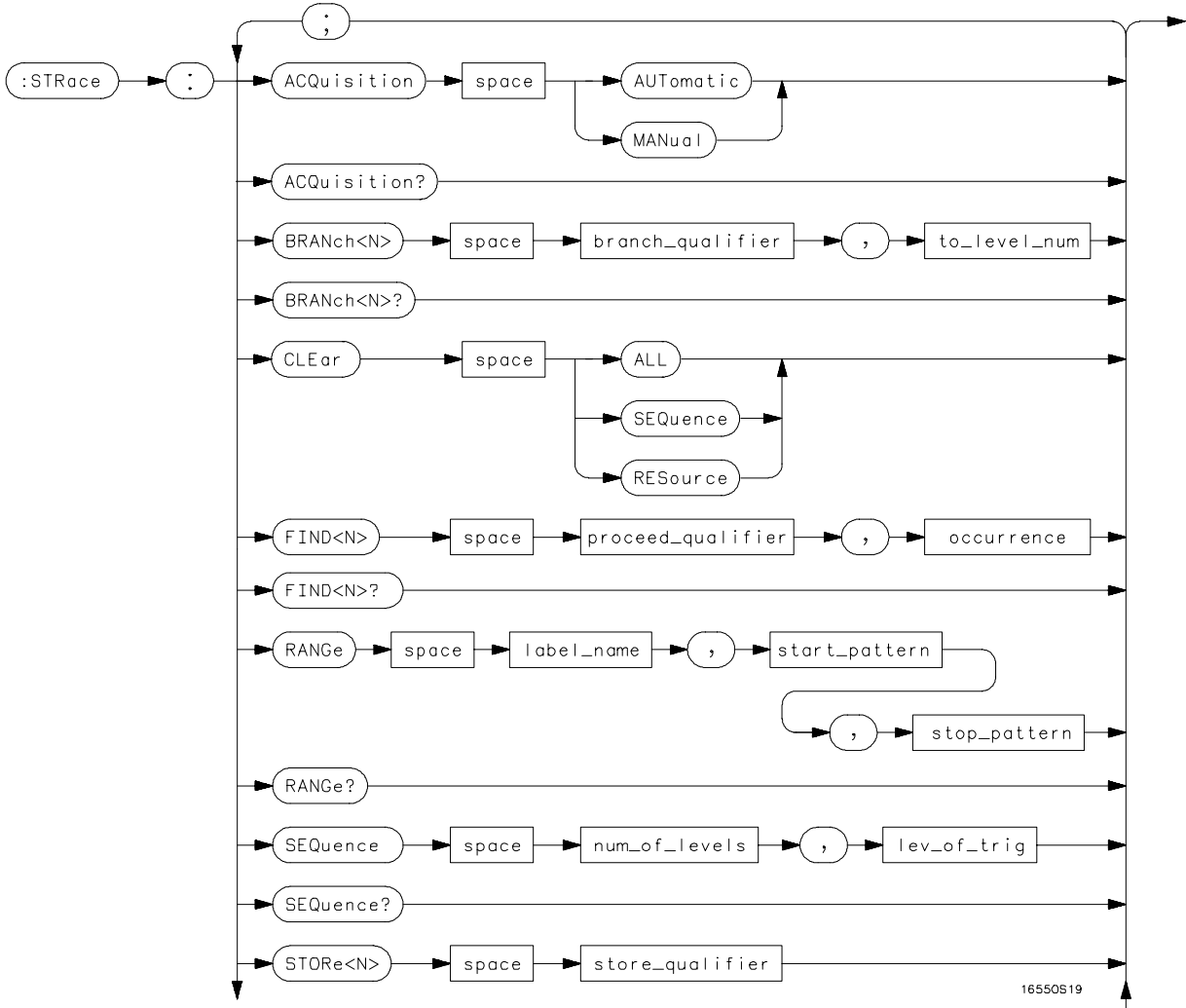
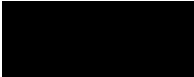
STRigger (STRace) Subsystem

Introduction

The STRigger subsystem contains the commands available for the State Trigger menu in the HP 1660E/ES/EP-series logic analyzers. The State Trigger subsystem will also accept the STRace command as used in previous HP 1650-series logic analyzers to eliminate the need to rewrite programs containing STRace as the command keyword. The STRigger subsystem commands are:

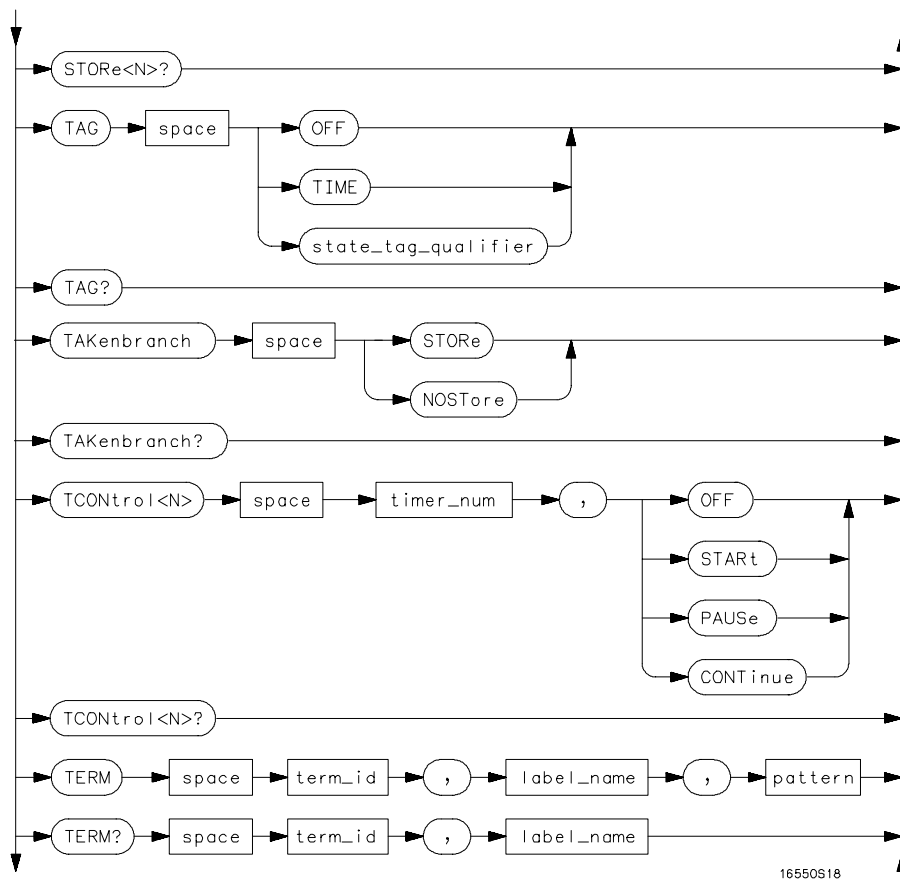
- ACQuisition
- BRANch
- CLear
- FIND
- RANGe
- SEQuence
- STORe
- TAG
- TAKenbranch
- TCONtrol
- TERM
- TIMER
- TPOsition

Figure 16-1



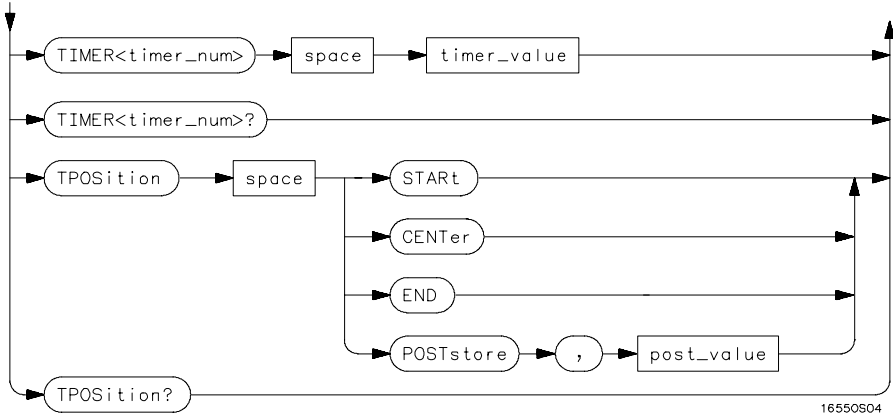
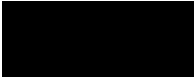
STRigger Subsystem Syntax Diagram

Figure 16-1 (continued)



STRigger Subsystem Syntax Diagram (continued)

Figure 16-1 (continued)



STRigger Subsystem Sntax Diagram (continued)

Table 16-1

STRigger Parameter Values

Parameter	Values
branch_qualifier	<qualifier>
to_lev_num	integer from 1 to last level
proceed_qualifier	<qualifier>
occurrence	number from 1 to 1048575
label_name	string of up to 6 alphanumeric characters
start_pattern	"{#B{0 1} . . . #Q{0 1 2 3 4 5 6 7} . . . #H{0 1 2 3 4 5 6 7 8 9 A B C D E F} . . . {0 1 2 3 4 5 6 7 8 9} . . . }"
stop_pattern	"{#B{0 1} . . . #Q{0 1 2 3 4 5 6 7} . . . #H{0 1 2 3 4 5 6 7 8 9 A B C D E F} . . . {0 1 2 3 4 5 6 7 8 9} . . . }"
num_of_levels	integer from 2 to 12
lev_of_trig	integer from 1 to (number of existing sequence levels – 1)
store_qualifier	<qualifier>
state_tag_qualifier	<qualifier>
timer_num	{1 2}
timer_value	400 ns to 500 seconds
term_id	{A B C D E F G H I J}
pattern	"{#B{0 1 X} . . . #Q{0 1 2 3 4 5 6 7 X} . . . #H{0 1 2 3 4 5 6 7 8 9 A B C D E F X} . . . {0 1 2 3 4 5 6 7 8 9} . . . }"
qualifier	see "Qualifier" on page 16-7
post_value	integer from 0 to 100 representing percentage

Qualifier

The qualifier for the state trigger subsystem can be terms A through J, Timer 1 and 2, and Range 1 and 2. In addition, qualifiers can be the NOT boolean function of terms, timers, and ranges. The qualifier can also be an expression or combination of expressions as shown below and figure 16-2, "Complex Qualifier," on page 16-11.

The following parameters show how qualifiers are specified in all commands of the STRigger subsystem that use <qualifier>.

```

<qualifier>      { "ANYSTATE" | "NOSTATE" | "<expression>" }
<expression>    { <expression1a>|<expression1b>|<expression1a> OR
                  <expression1b>|<expression1a> AND <expression1b>}
<expression1a>  { <expression1a_term>|(<expression1a_term>[ OR
                  <expression1a_term>]* )|(<expression1a_term>[ AND
                  <expression1a_term>]* )}
<expression1a_
  term>          { <expression2a>|<expression2b>|<expression2c>|<expression2d>}
<expression1b>  { <expression1b_term>|(<expression1b_term>[ OR
                  <expression1b_term>]* )|(<expression1b_term>[ AND
                  <expression1b_term>]* )}
<expression1b_
  term>          { <expression2e>|<expression2f>|<expression2g>|<expression2h>}
<expression2a>  { <term3a>|<term3b>|(<term3a> <boolean_op> <term3b>)}
<expression2b>  { <term3c>|<range3a>|(<term3c> <boolean_op> <range3a>)}
<expression2c>  { <term3d>}
<expression2d>  { <term3e>|<timer3a>|(<term3e> <boolean_op> <timer3a>)}
<expression2e>  { <term3f>|<term3g>|(<term3f> <boolean_op> <term3g>)}
<expression2f>  { <term3h>|<range3b>|(<term3h> <boolean_op> <range3b>)}
<expression2g>  { <term3i>}
<expression2h>  { <term3j>|<timer3b>|(<term3j> <boolean_op> <timer3b>)}
  <boolean_op>   { AND|NAND|OR|NOR|XOR|NXOR}
  <term3a>       { A|NOTA}

```

STRigger (STRace) Subsystem Qualifier

```
<term3b> {B|NOTB}  
<term3c> {C|NOTC}  
<term3d> {D|NOTD}  
<term3e> {E|NOTE}  
<term3f> {F|NOTF}  
<term3g> {G|NOTG}  
<term3h> {H|NOTH}  
<term3i> {I|NOTI}  
<term3j> {J|NOTJ}  
<range3a> {IN_RANGE1|OUT_RANGE1}  
<range3b> {IN_RANGE2|OUT_RANGE2}  
<timer3a> {TIMER1<|TIMER1>}  
<timer3b> {TIMER2<|TIMER2>}
```

Qualifier Rules

The following rules apply to qualifiers:

- Qualifiers are quoted strings and, therefore, need quotes.
- Expressions are evaluated from left to right.
- Parenthesis are used to change the order evaluation and, therefore, are optional.
- An expression must map into the combination logic presented in the combination pop-up menu within the STRigger menu (see figure 16-2 on page 16-11).

Example

```
'A'  
'( A OR B )'  
'(( A OR B ) AND C )'  
'(( A OR B ) AND C AND IN_RANGE2 )'  
'(( A OR B ) AND ( C AND IN_RANGE1 ))'  
'IN_RANGE1 AND ( A OR B ) AND C'
```



STRigger (STRace)

Selector :MACHine{1|2}:STRigger

The STRigger (STRace) (State Trigger) Command is used as a part of a compound header to access the settings found in the State Trace menu. It always follows the MACHine Command because it selects a branch directly below the MACHine level in the command tree.

Example OUTPUT XXX; ":MACHINE1:STRIGGER:TAG TIME"

ACQuisition

Command :MACHine{1|2}:STRigger:ACQuisition
 {AUTOMatic|MANual}

The ACQuisition command allows you to specify the acquisition mode for the State analyzer.

Example OUTPUT XXX; ":MACHINE1:STRIGGER:ACQUISITION AUTOMATIC"

Query :MACHine{1|2}:STRigger:ACQuisition?

The ACQuisition query returns the current acquisition mode specified.

Returned Format [:MACHine{1|2}:STRigger:ACQuisition] {AUTOMatic|MANual}<NL>

Example OUTPUT XXX; ":MACHINE1:STRIGGER:ACQUISITION?"

BRANCh

Command :MACHine{1|2}:STRigger:BRANCh<N>
 <branch_qualifier>, <to_level_number>

The BRANCh command defines the branch qualifier for a given sequence level. When this branch qualifier is matched, it will cause the sequencer to jump to the specified sequence level.

The terms used by the branch qualifier (A through J) are defined by the TERM command. The meaning of IN_RANGE and OUT_RANGE is determined by the RANGE command.

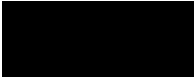
Within the limitations shown by the syntax definitions, complex expressions may be formed using the AND and OR operators. Expressions are limited to what you could manually enter through the State Trigger menu. Regarding parentheses, the syntax definitions on the next page show only the required ones. Additional parentheses are allowed as long as the meaning of the expression is not changed. Figure 16-2 shows a complex expression as seen in the State Trigger menu.

Example

The following statements are all correct and have the same meaning. Notice that the conventional rules for precedence are not followed. The expressions are evaluated from left to right.

```
OUTPUT XXX; ":MACHINE1:STRIGGER:BRANCH1 'C AND D OR F OR G', 1"  
OUTPUT XXX; ":MACHINE1:STRIGGER:BRANCH1 '((C AND D) OR (F OR G))', 1"  
OUTPUT XXX; ":MACHINE1:STRIGGER:BRANCH1 'F OR (C AND D) OR G', 1"
```

<N>	An integer from 1 to <number_of_levels>
<to_level_ number>	An integer from 1 to <number_of_levels>
<number_of_ levels>	An integer from 2 to the number of existing sequence levels (maximum 12)
<branch_ qualifier>	<qualifier> see "Qualifier" on page 16-7



Example

```
OUTPUT XXX; ":MACHINE1:STRIGGER:BRANCH1 'ANystate', 3"
OUTPUT XXX; ":MACHINE2:STRIGGER:BRANCH2 'A', 7"
OUTPUT XXX; ":MACHINE1:STRIGGER:BRANCH3 '((A OR B) OR NOTG)',
1"
```

Query

```
:MACHine{1|2}:STRigger:BRANch<N>?
```

The BRANch query returns the current branch qualifier specification for a given sequence level.

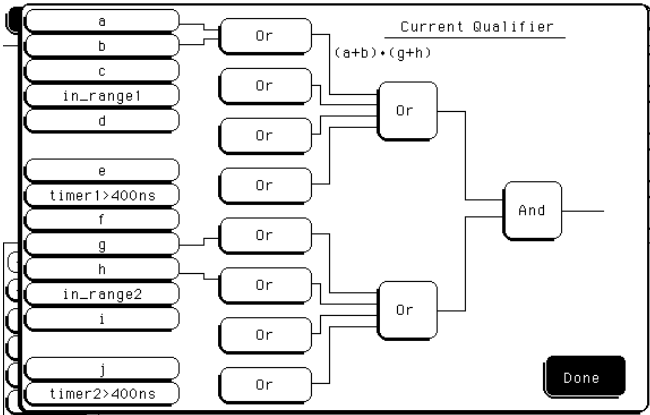
Returned Format

```
[ :MACHine{1|2}:STRigger:BRANch<N>] <branch_qualifier>,
<to_level_num><NL>
```

Example

```
OUTPUT XXX; ":MACHINE1:STRIGGER:BRANCH3?"
```

Figure 16-2



Complex qualifier

Figure 16-2 is a front panel representation of the complex qualifier (a OR b) AND (g OR h).

Example

```
This example would be used to specify the complex qualifier.
OUTPUT XXX; ":MACHINE1:STRIGGER:BRANCH1 '((A OR B) AND
(G OR H))', 2"
```


Terms A through E, RANGE 1, and TIMER 1 must be grouped together and terms F through J, RANGE 2, and TIMER 2 must be grouped together. In the first level, terms from one group may not be mixed with terms from the other. For example, the expression ((A OR IN_RANGE2) AND (C OR H)) is not allowed because the term C cannot be specified in the E through J group.

In the first level, the operators you can use are AND, NAND, OR, NOR, XOR, NXOR. Either AND or OR may be used at the second level to join the two groups together. It is acceptable for a group to consist of a single term. Thus, an expression like (B AND G) is legal, since the two operands are both simple terms from separate groups.

CLear

Command :MACHine{1|2}:STRigger:CLear
 {All|SEquence|RESource}

The CLear command allows you to clear all settings in the State Trigger menu and replace them with the default, clear only the Sequence levels, or clear only the resource term patterns.

Example OUTPUT XXX; ":MACHINE1:STRIGGER:CLEAR RESOURCE"

FIND

Command `:MACHine{1|2}:STRigger:FIND<N>
<proceed_qualifier>, <occurrence>`

The FIND command defines the proceed qualifier for a given sequence level. The qualifier tells the state analyzer when to proceed to the next sequence level. When this proceed qualifier is matched the specified number of times, the sequencer will proceed to the next sequence level. In the sequence level where the trigger is specified, the FIND command specifies the trigger qualifier (see SEQUENCE command).

The terms A through J are defined by the TERM command. The meaning of IN_RANGE and OUT_RANGE is determined by the RANGE command. Expressions are limited to what you could manually enter through the State Trigger menu. Regarding parentheses, the syntax definitions below show only the required ones. Additional parentheses are allowed as long as the meaning of the expression is not changed. See figure 16-2 for a detailed example.

<N> An integer from 1 to (number of existing sequence levels -1)
 <occurrence> An integer from 1 to 1048575
 <proceed_qualifier> <qualifier> see "Qualifier" on page 16-7

Example

```
OUTPUT XXX;":MACHINE1:STRIGGER:FIND1 'ANYSSTATE', 1"
OUTPUT XXX;":MACHINE1:STRIGGER:FIND3 '((NOTA AND NOTB) OR G)', 1"
```

Query `:MACHine{1|2}:STRigger:FIND<N>?`

The FIND query returns the current proceed qualifier specification for a given sequence level.

Returned Format `[:MACHine{1|2}:STRigger:FIND<N>] <proceed_qualifier>, <occurrence><NL>`

Example OUTPUT XXX; ":MACHINE1:STRIGGER:FIND4?"

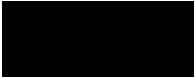
RANGe

Command `:MACHine{1|2}:STRigger:RANGE <label_name>, <start_pattern>, <stop_pattern>`

The RANGe command allows you to specify a range recognizer term for the specified machine. Since a range can only be defined across one label and, since a label must contain 32 or less bits, the value of the start pattern or stop pattern will be between $2^{32}-1$ and 0.

Because a label can only be defined across a maximum of two pods, a range term is only available across a single label; therefore, the end points of the range cannot be split between labels.

When these values are expressed in binary, they represent the bit values for the label at one of the range recognizers' end points. Don't cares (X) are not allowed in the end point pattern specifications.



<label_name> String of up to 6 alphanumeric characters

<start_pattern> "{#B{0|1} . . . |
#Q{0|1|2|3|4|5|6|7} . . . |
#H{0|1|2|3|4|5|6|7|8|9|A|B|C|D|E|F} . . . |
{0|1|2|3|4|5|6|7|8|9} . . . }"

<stop_pattern> "{#B{0|1} . . . |
#Q{0|1|2|3|4|5|6|7} . . . |
#H{0|1|2|3|4|5|6|7|8|9|A|B|C|D|E|F} . . . |
{0|1|2|3|4|5|6|7|8|9} . . . }"

Example

OUTPUT XXX;":MACHINE1:STRIGGER:RANGE 'DATA', '127', '255' "
OUTPUT XXX;":MACHINE1:STRIGGER:RANGE 'ABC', '#B00001111',
'#HCF' "

Query

:MACHine{1|2}:STRigger:RANGe?

The RANGe query returns the range recognizer end point specifications for the range.

Returned Format

[:MACHine{1|2}:STRace:RANGe] <label_name>,<start_pattern>,
<stop_pattern><NL>

Example

OUTPUT XXX;":MACHINE1:STRIGGER:RANGE? "

SEquence

Command :MACHine{1|2}:STRigger:SEquence
<number_of_levels>,
<level_of_trigger>

The SEquence command redefines the state analyzer trace sequence. First, it deletes the current trace sequence. Then it inserts the number of levels specified, with default settings, and assigns the trigger to be at a specified sequence level. The number of levels can be between 2 and 12 when the analyzer is armed by the RUN key.

<number_of_levels> An integer from 2 to 12

<level_of_trigger> An integer from 1 to (number of existing sequence levels -1)

Example

OUTPUT XXX;":MACHINE1:STRIGGER:SEQUENCE 4,3"

Query :MACHine{1|2}:STRigger:SEquence?

The SEquence query returns the current sequence specification.

Returned Format [:MACHine{1|2}:STRigger:SEquence] <number_of_levels>,
<level_of_trigger><NL>

<number_of_levels> An integer from 2 to 12

<level_of_trigger> An integer from 1 to (number of existing sequence levels -1)

Example

OUTPUT XXX;":MACHINE1:STRIGGER:SEQUENCE?"

STORE

Command :MACHine{1|2}:STRigger:STORE<N> <store_qualifier>

The STORE command defines the store qualifier for a given sequence level. Any data matching the STORE qualifier will actually be stored in memory as part of the current trace data. The qualifier may be a single term or a complex expression. The terms A through J are defined by the TERM command. The meaning of IN_RANGE1 and 2 and OUT_RANGE1 and 2 is determined by the RANGE command.

Expressions are limited to what you could manually enter through the State Trigger menu. Regarding parentheses, the syntax definitions below show only the required ones. Additional parentheses are allowed as long as the meaning of the expression is not changed.

A detailed example is provided in figure 16-2 on page 16-11.

<N> An integer from 1 to the number of existing sequence levels (maximum 12)

<store_qualifier> <qualifier> see "Qualifier" on page 16-7

Example

```
OUTPUT XXX; ":MACHINE1:STRIGGER:STORE1 'ANYSSTATE' "  
OUTPUT XXX; ":MACHINE1:STRIGGER:STORE2 'OUT_RANGE1' "  
OUTPUT XXX; ":MACHINE1:STRIGGER:STORE3 '(NOTC AND NOTD AND  
NOTH) ' "
```

Query

:MACHine{1|2}:STRigger:STORE<N>?

The STORE query returns the current store qualifier specification for a given sequence level <N>.

Returned Format

[:MACHine{1|2}:STRigger:STORE<N>] <store_qualifier><NL>

Example

```
OUTPUT XXX; ":MACHINE1:STRIGGER:STORE4? "
```

TAG

Command :MAChine{1|2}:STRigger:TAG
 {OFF|TIME|<state_tag_qualifier>}

The TAG command selects the type of count tagging (state or time) to be performed during data acquisition. State tagging is indicated when the parameter is the state tag qualifier, which will be counted in the qualified state mode. The qualifier may be a single term or a complex expression. The terms A through J are defined by the TERM command. The terms IN_RANGE1 and 2 and OUT_RANGE1 and 2 are defined by the RANGE command.

Expressions are limited to what you could manually enter through the State Trigger menu. Regarding parentheses, the syntax definitions below show only the required ones. Additional parentheses are allowed as long as the meaning of the expression is not changed. A detailed example is provided in figure 16-2 on page 16-11.

<state_tag_qualifier> <qualifier> see "Qualifier" on page 16-7

Example

```
OUTPUT XXX;":MACHINE1:STRIGGER:TAG OFF"  
OUTPUT XXX;":MACHINE1:STRIGGER:TAG TIME"  
OUTPUT XXX;":MACHINE1:STRIGGER:TAG '(IN_RANGE OR NOTF)'"  
OUTPUT XXX;":MACHINE1:STRIGGER:TAG '((IN_RANGE OR A) AND E)'"
```

Query :MAChine{1|2}:STRigger:TAG?

The TAG query returns the current count tag specification.

Returned Format [:MAChine{1|2}:STRigger:TAG]
 {OFF|TIME|<state_tag_qualifier>}<NL>

Example

```
OUTPUT XXX;":MACHINE1:STRIGGER:TAG?"
```



TAKenbranch

Command `:MACHine{1|2}:STRigger:TAKenbranch {STORE|NOSTore}`

The TAKenbranch command allows you to specify whether the state causing a sequence level change is stored or not stored for the specified machine. Both a state that causes the sequencer to proceed or a state that causes the sequencer to branch is considered a sequence level change. A branch can also jump to itself and this also considered a sequence level change. The state causing the branch is defined by the BRANch command.

Example `OUTPUT XXX; ":MACHINE2:STRIGGER:TAKENBRANCH STORE"`

Query `:MACHine{1|2}:STRigger:TAKenbranch?`

The TAKenbranch query returns the current setting.

Returned Format `[:MACHine{1|2}:STRigger:TAKenbranch] {STORE|NOSTore}<NL>`

Example `OUTPUT XXX; ":MACHINE2:STRIGGER:TAKENBRANCH?"`

TCONtrol

Command `:MACHine{1|2}:STRigger:TCONtrol<N> <timer_num>,
{OFF|START|PAUSE|CONTINUE}`

The TCONtrol (timer control) command allows you to turn off, start, pause, or continue the timer for the specified level. The time value of the timer is defined by the TIMER command. There are two timers and they are independently available for either machine. Neither timer can be assigned to both machines simultaneously.

`<N>` An integer from 1 to the number of existing sequence levels (maximum 12)

`<timer_num>` {1|2}

Example

OUTPUT XXX;" :MACHINE2:STRIGGER:TCONTROL6 1, PAUSE"

Query `:MACHine{1|2}:STRigger:TCONTROL<N>? <timer_num>`

The TCONtrol query returns the current TCONtrol setting of the specified level.

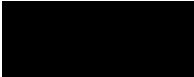
Returned Format `[:MACHine{1|2}:STRigger:TCONTROL<N> <timer_num>]
{OFF|START|PAUSE|CONTINUE}<NL>`

`<N>` An integer from 1 to the number of existing sequence levels (maximum 12)

`<timer_num>` {1|2}

Example

OUTPUT XXX;" :MACHINE2:STRIGGER:TCONTROL?6 1"



TERM

Command :MACHine{1|2}:STRigger:TERM <term_id> ,
 <label_name> , <pattern>

The TERM command allows you to specify a pattern recognizer term in the specified machine. Each command deals with only one label in the given term; therefore, a complete specification could require several commands. Since a label can contain 32 or less bits, the range of the pattern value will be between $2^{32} - 1$ and 0. When the value of a pattern is expressed in binary, it represents the bit values for the label inside the pattern recognizer term. Because the pattern parameter may contain don't cares and be represented in several bases, it is handled as a string of characters rather than a number. All 10 terms (A through J) are available for either machine but not both simultaneously. If you send the TERM command to a machine with a term that has not been assigned to that machine, an error message "Legal command but settings conflict" is returned.

<term_id> {A|B|C|D|E|F|G|H|I|J}
 <label_name> A string of up to 6 alphanumeric characters
 <pattern> "#B{0|1|X} . . . |
 #Q{0|1|2|3|4|5|6|7|X} . . . |
 #H{0|1|2|3|4|5|6|7|8|9|A|B|C|D|E|F|X} . . . |
 {0|1|2|3|4|5|6|7|8|9} . . . }"

Example OUTPUT XXX; ":MACHINE1:STRIGGER:TERM A,'DATA','255' "
 OUTPUT XXX; ":MACHINE1:STRIGGER:TERM B,'ABC','#BXXXX1101' "

STRigger (STRace) Subsystem TIMER

Query `:MACHine{1|2}:STRigger:TERM?
<term_id>,<label_name>`

The TERM query returns the specification of the term specified by term identification and label name.

Returned Format `[:MACHine{1|2}:STRace:TERM]
<term_id>,<label_name>,<pattern><NL>`

Example `OUTPUT XXX;":MACHINE1:STRIGGER:TERM? B,'DATA' "`

TIMER

Command `:MACHine{1|2}:STRigger:TIMER{1|2} <time_value>`

The TIMER command sets the time value for the specified timer. The limits of the timer are 400 ns to 500 seconds in 16 ns to 500 μ s increments. The increment value varies with the time value of the specified timer. There are two timers and they are independently available for either machine. A timer can only be assigned to one machine at a time, but either machine can use both timers.

`<time_value>` A real number from 400 ns to 500 seconds in increments which vary from 16 ns to 500 μ s.

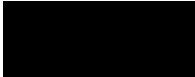
Example `OUTPUT XXX;":MACHINE1:STRIGGER:TIMER1 100E-6"`

Query `:MACHine{1|2}:STRigger:TIMER{1|2}?`

The TIMER query returns the current time value for the specified timer.

Returned Format `[:MACHine{1|2}:STRigger:TIMER{1|2}] <time_value><NL>`

`<time_value>` A real number from 400 ns to 500 seconds in increments which vary from 16 ns to 500 μ s.



Example

OUTPUT XXX; ":MACHINE1:STRIGGER:TIMER1?"

TPOsition

Command

:MACHine{1|2}:STRigger:TPOsition
 {START|CENTer|END|POSTstore,<poststore>}

The TPOsition (trigger position) command allows you to set the trigger at the start, center, end or at any position in the trace (poststore). When START is specified, approximately 16 states are stored before the trigger. When END is specified, approximately 16 states are stored after the trigger. Poststore is defined as 0 to 100 percent. When 0 or 100 percent is specified, the trigger is actually the first or last state respectively.

<poststore> An integer from 0 to 100 representing percentage of poststore.

Example

OUTPUT XXX; ":MACHINE1:STRIGGER:TPOSITION END"
 OUTPUT XXX; ":MACHINE1:STRIGGER:TPOSITION POSTstore,75"

Query

:MACHine{1|2}:STRigger:TPOsition?

The TPOsition query returns the current trigger position setting.

Returned Format

[:MACHine{1|2}:STRigger:TPOsition] {START|CENTer|END|
 POSTstore,<poststore>}<NL>

Example

OUTPUT XXX; ":MACHINE1:STRIGGER:TPOSITION?"



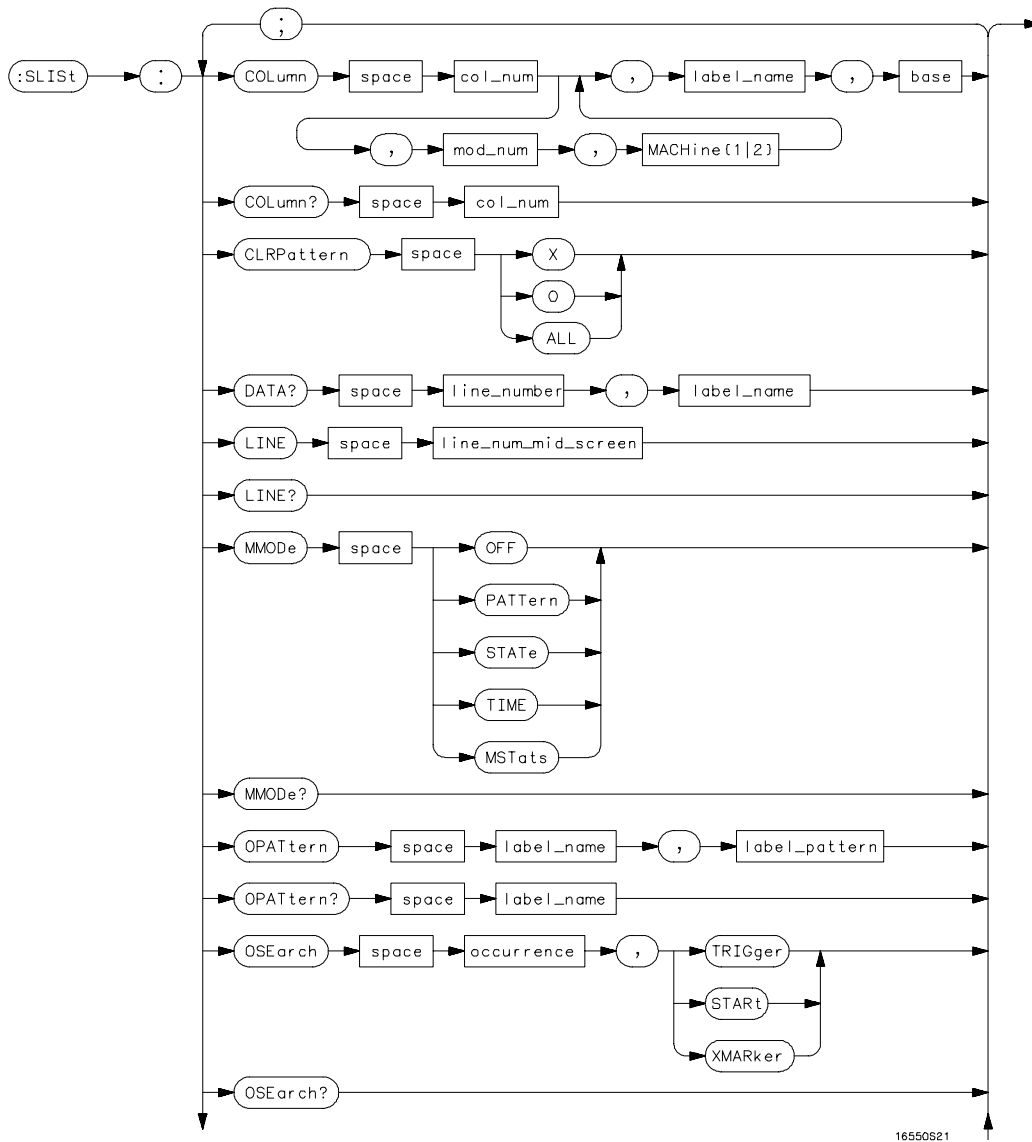
SLIS_t Subsystem

Introduction

The SLIST subsystem contains the commands available for the State Listing menu in the HP 1660E/ES/EP-series logic analyzer. These commands are:

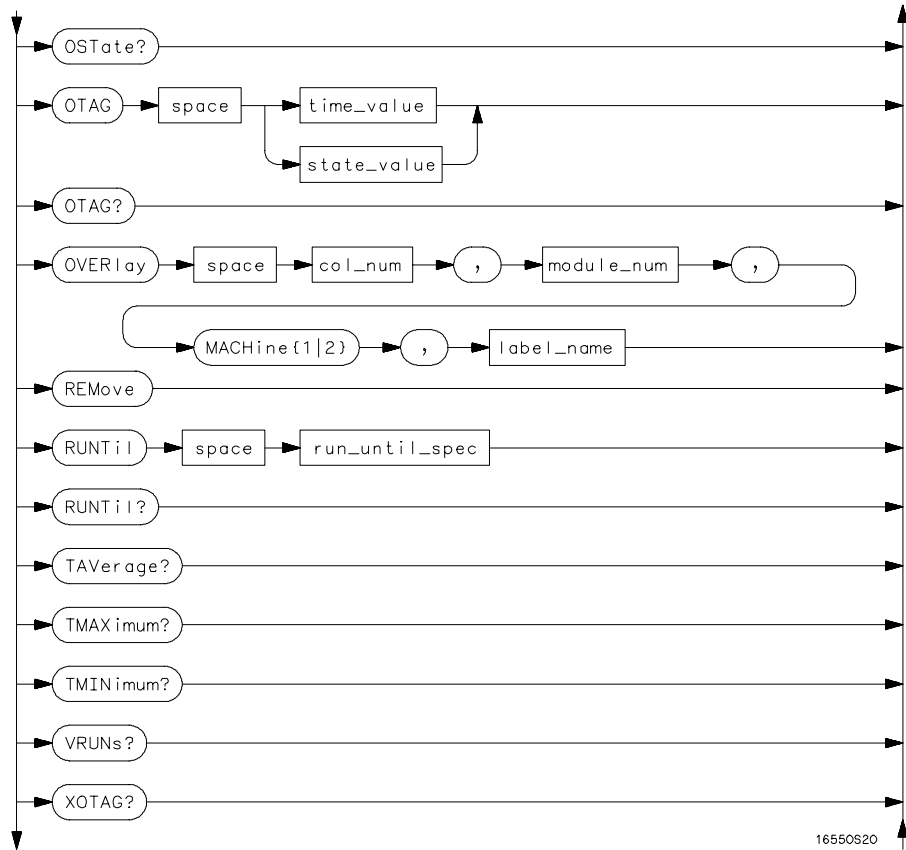
- COLumn
- CLRPattern
- DATA
- LINE
- MMODE
- OPATtern
- OSEarch
- OSTate
- OTAG
- OVERlay
- REMove
- RUNTil
- TAVerage
- TMAXimum
- TMINimum
- VRUNs
- XOTag
- XOTime
- XPATtern
- XSEarch
- XSTate
- XTAG

Figure 17-1



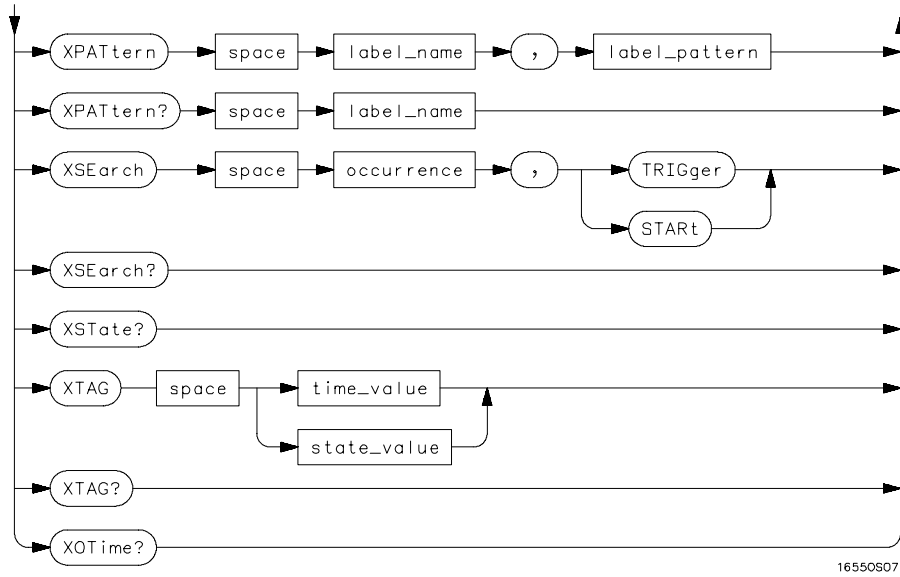
SLISt Subsystem Syntax Diagram

Figure 17-1 (continued)



SLISt Subsystem Syntax Diagram (continued)

Figure 17-1 (continued)



SLISSt Subsystem Syntax Diagram (continued)

Table 17-1

SLISt Parameter Values

Parameter	Values
module_num	{1 2 3 4 5 6 7 8 9 10} (2 through 10 not used)
mach_num	{1 2}
col_num	Integer from 1 to 61
line_number	Integer from -8191 to +8191
label_name	A string of up to 6 alphanumeric characters
base	{BINary HEXadecimal OCTal DECimal TWOS AScii SYMBOL IASSEMBler} for labels or {ABSolute RELative} for tags
line_num_mid_screen	Integer from -8191 to +8191
label_pattern	"{#B{0 1 X} . . . #Q{0 1 2 3 4 5 6 7 X} . . . #H{0 1 2 3 4 5 6 7 8 9 A B C D E F X} . . . {0 1 2 3 4 5 6 7 8 9} . . . }"
occurrence	Integer from -8191 to +8192
time_value	Real number
state_value	Real number
run_until_spec	{OFF LT, <value> GT, <value> INRange, <value>, <value> OUTRange, <value>, <value>}
value	Real number

SLISt

Selector `:MACHine{1|2}:SLISt`

The SLISt selector is used as part of a compound header to access those settings normally found in the State Listing menu. It always follows the MACHine selector because it selects a branch directly below the MACHine level in the command tree.

Example

OUTPUT XXX; ":MACHINE1:SLIST:LINE 256"

COLumn

Command `:MACHine{1|2}:SLISt:COLumn <col_num>`
`[,<module_num>, MACHine{1|2}],<label_name>,<base>`

The COLumn command allows you to configure the state analyzer list display by assigning a label name and base to one of the 61 vertical columns in the menu. A column number of 1 refers to the leftmost column. When a label is assigned to a column it replaces the original label in that column.

When the label name is "TAGS," the TAGS column is assumed and the next parameter must specify RELative or ABSolute.

A label for tags must be assigned in order to use ABSolute or RELative state tagging.

SLISSt Subsystem CLRPattern

<col_num> integer from 1 to 61
<module_num> {1|2|3|4|5|6|7|8|9|10} (2 through 10 not used)
<label_name> string of up to 6 alphanumeric characters
<base> {BINary|HEXadecimal|OCTal|DECimal|TWOS|ASCii|SYMBOL|IASSEMBler} for labels
or
{ABSolute|RELative} for tags

Example

OUTPUT XXX;" :MACHINE1:SLIST:COLUMN 4,'A',HEX"

Query

:MACHine{1|2}:SLISt:COLumn? <col_num>

The COLumn query returns the column number, label name, and base for the specified column.

Returned Format

[:MACHine{1|2}:SLISt:COLumn] <col_num>,<module_num>,
MACHine{1|2},<label_name>,<base><NL>

Example

OUTPUT XXX;" :MACHINE1:SLIST:COLUMN? 4"

CLRPattern

Command

:MACHine{1|2}:SWAVEform:CLRPattern {X|O|ALL}

The CLRPattern command allows you to clear the patterns in the selected Specify Patterns menu.

Example

OUTPUT XXX;" :MACHINE1:SWAVEFORM:CLRPATTERN X"

DATA

Query :MACHine{1|2}:SLIST:DATA?
<line_number>,<label_name>

The DATA query returns the value at a specified line number for a given label. The format will be the same as the one shown in the listing display.

Returned Format [:MACHine{1|2}:SLIST:DATA] <line_number>,<label_name>,
<pattern_string><NL>

<line_number> integer from -8191 to +8191

<label_name> string of up to 6 alphanumeric characters

<pattern_string> "{#B{0|1|X} . . . |
#Q{0|1|2|3|4|5|6|7|X} . . . |
#H{0|1|2|3|4|5|6|7|8|9|A|B|C|D|E|F|X} . . . |
{0|1|2|3|4|5|6|7|8|9} . . . }"

Example OUTPUT XXX;":MACHINE1:SLIST:DATA? 512, 'RAS'"

LINE

Command :MACHine{1|2}:SLIST:LINE <line_num_mid_screen>

The LINE command allows you to scroll the state analyzer listing vertically. The command specifies the state line number relative to the trigger that the analyzer highlights at the center of the screen.

<line_num_mid_screen> integer from -8191 to +8191

Example OUTPUT XXX;":MACHINE1:SLIST:LINE 0"

SLISt Subsystem
MMODE (Marker Mode)

Query :MACHine{1|2}:SLISt:LINE?

The LINE query returns the line number for the state currently in the box at the center of the screen.

Returned Format [:MACHine{1|2}:SLISt:LINE] <line_num_mid_screen><NL>

Example OUTPUT XXX; ":MACHINE1:SLIST:LINE?"

MMODE (Marker Mode)

Command :MACHine{1|2}:SLISt:MMODE <marker_mode>

The MMODE command selects the mode controlling the marker movement and the display of marker readouts. When PATTErn is selected, the markers will be placed on patterns. When STATE is selected and state tagging is on, the markers move on qualified states counted between normally stored states. When TIME is selected and time tagging is enabled, the markers move on time between stored states. When MSTats is selected and time tagging is on, the markers are placed on patterns, but the readouts will be time statistics.

<marker_mode> {OFF|PATTErn|STATE|TIME|MSTats}

Example OUTPUT XXX; ":MACHINE1:SLIST:MMODE TIME"

Query :MACHine{1|2}:SLISt:MMODE?

The MMODE query returns the current marker mode selected.

Returned Format: [:MACHine{1|2}:SLISt:MMODE] <marker_mode><NL>

Example OUTPUT XXX; ":MACHINE1:SLIST:MMODE?"

OPATtern

Command :MACHine{1|2}:SLISt:OPATtern
<label_name>,<label_pattern>

The OPATtern command allows you to construct a pattern recognizer term for the O Marker which is then used with the OSEarch criteria when moving the marker on patterns. Because this command deals with only one label at a time, a complete specification could require several invocations.

When the value of a pattern is expressed in binary, it represents the bit values for the label inside the pattern recognizer term. In whatever base is used, the value must be between 0 and $2^{32} - 1$, since a label may not have more than 32 bits. Because the <label_pattern> parameter may contain don't cares, it is handled as a string of characters rather than a number.

<label_name> string of up to 6 alphanumeric characters

<label_pattern> "#{B{0|1|X} . . . |
#Q{0|1|2|3|4|5|6|7|X} . . . |
#H{0|1|2|3|4|5|6|7|8|9|A|B|C|D|E|F|X} . . . |
{0|1|2|3|4|5|6|7|8|9} . . . }"

Example

OUTPUT XXX;":MACHINE1:SLIST:OPATTERN 'DATA','255' "
OUTPUT XXX;":MACHINE1:SLIST:OPATTERN 'ABC','#BXXXX1101' "

Query :MACHine{1|2}:SLISt:OPATtern? <label_name>

The OPATtern query returns the pattern specification for a given label name.

Returned Format
[:MACHine{1|2}:SLISt:OPATtern]
<label_name>,<label_pattern><NL>

Example

OUTPUT XXX;":MACHINE1:SLIST:OPATTERN? 'A' "

OSEarch

Command `:MACHine{1|2}:SLISt:OSEarch <occurrence>,<origin>`

The OSEarch command defines the search criteria for the O marker, which is then used with associated OPATtern recognizer specification when moving the markers on patterns. The origin parameter tells the marker to begin a search with the trigger, the start of data, or with the X marker. The actual occurrence the marker searches for is determined by the occurrence parameter of the OSEarch recognizer specification, relative to the origin. An occurrence of 0 places the marker on the selected origin. With a negative occurrence, the marker searches before the origin. With a positive occurrence, the marker searches after the origin.

`<occurrence>` integer from -8191 to +8191

`<origin>` {TRIGger | START | XMARKer}

Example

OUTPUT XXX;":MACHINE1:SLIST:OSEARCH +10,TRIGGER"

Query `:MACHine{1|2}:SLISt:OSEarch?`

The OSEarch query returns the search criteria for the O marker.

Returned Format `[:MACHine{1|2}:SLISt:OSEarch] <occurrence>,<origin><NL>`

Example

OUTPUT XXX;":MACHINE1:SLIST:OSEARCH?"

OSTate

Query :MACHine{1|2}:SLISt:OSTate?

The OSTate query returns the line number in the listing where the O marker resides (-8191 to +8191). If data is not valid, the query returns 32767.

Returned Format [:MACHine{1|2}:SLISt:OSTate] <state_num><NL>
 <state_num> an integer from -8191 to +8191, or 32767

Example OUTPUT XXX; ":MACHINE1:SLIST:OSTATE?"

OTAG

Command :MACHine{1|2}:SLISt:OTAG
 {<time_value>|<state_value>}

The OTAG command specifies the tag value on which the O Marker should be placed. The tag value is time when time tagging is on, or states when state tagging is on. If the data is not valid tagged data, no action is performed.

<time_value> real number

<state_value> integer

Example :OUTPUT XXX; ":MACHINE1:SLIST:OTAG 40.0E-6"

Query :MACHine{1|2}:SLISt:OTAG?

The OTAG query returns the O Marker position in time when time tagging is on or in states when state tagging is on, regardless of whether the marker was positioned in time or through a pattern search. If data is not valid, the query returns 9.9E37 for time tagging, or returns 32767 for state tagging.

Returned Format [:MACHine{1|2}:SLISt:OTAG] {time_value}|<state_value><NL>

<time_value> real number

<state_value> integer

Example OUTPUT XXX;":MACHINE1:SLIST:OTAG?"

OVERlay

Command :MACHine{1|2}:SLISt:OVERlay
<col_num>,<module_num>,
MACHine{1|2},<label_name>

The OVERlay command allows you to add time-correlated labels from other modules or machines to the state listing.

<col_num> integer from 1 to 61

<module_num> integer 1 through 10 (2 through 10 unused)

<label_name> string of up to 6 alphanumeric characters

Example OUTPUT XXX;":MACHINE1:SLIST:OVERlay,25,5,MACHINE2,'DATA' "

REMove

Command `:MACHine{1|2}:SLIST:REMove`

The REMove command removes all labels, except the leftmost label, from the listing menu.

Example

OUTPUT XXX; ":MACHINE1:SLIST:REMOVE"

RUNTil (Run Until)

Command `:MACHine{1|2}:SLIST:RUNTil <run_until_spec>`

The RUNTil command allows you to define a stop condition when the trace mode is repetitive. Specifying OFF causes the analyzer to make runs until either the display's STOP field is touched, or until the STOP command is issued.

There are four conditions based on the time between the X and O markers. Using this difference in the condition is effective only when time tags have been turned on (see the TAG command in the STRace subsystem). These four conditions are as follows:

- The difference is less than (LT) some value.
- The difference is greater than (GT) some value.
- The difference is inside some range (INRange).
- The difference is outside some range (OUTRange).

End points for the INRange and OUTRange should be at least 8 ns apart since this is the minimum time resolution of the time tag counter.

SLIST Subsystem
RUNtil (Run Until)

There are two conditions which are based on a comparison of the acquired state data and the compare data image. The analyzer can run until one of the following conditions is true:

- Every channel of every label has the same value (EQUAL).
- Any channel of any label has a different value (NEQUAL).

The RUNtil instruction (for state analysis) is available in both the SLIST and COMPare subsystems.

<run_until_spec> {OFF | LT, <value> | GT, <value> | INRange, <value>, <value> | OUTRange, <value>, <value> | EQUAL | NEQUAL}
<value> real number from -9E9 to +9E9

Example OUTPUT XXX; ":MACHINE1:SLIST:RUNTIL GT,800.0E-6"

Query :MACHINE{1|2}:SLIST:RUNTIL?

Returned Format The RUNtil query returns the current stop criteria.
[:MACHINE{1|2}:SLIST:RUNTIL] <run_until_spec><NL>

Example OUTPUT XXX; ":MACHINE1:SLIST:RUNTIL?"

TAVerage

Query :MACHine{1|2}:SLISt:TAVerage?

The TAVerage query returns the value of the average time between the X and O Markers. If the number of valid runs is zero, the query returns 9.9E37. Valid runs are those where the pattern search for both the X and O markers was successful, resulting in valid delta-time measurements.

Returned Format: [:MACHine{1|2}:SLISt:TAVerage] <time_value><NL>
 <time_value> real number

Example OUTPUT XXX; ":MACHINE1:SLIST:TAVERAGE?"

TMAXimum

Query :MACHine{1|2}:SLISt:TMAXimum?

The TMAXimum query returns the value of the maximum time between the X and O Markers. If data is not valid, the query returns 9.9E37.

Returned Format [:MACHine{1|2}:SLISt:TMAXimum] <time_value><NL>
 <time_value> real number

Example OUTPUT XXX; ":MACHINE1:SLIST:TMAXIMUM?"

TMINimum

Query :MACHine{1|2}:SLISt:TMINimum?

The TMINimum query returns the value of the minimum time between the X and O Markers. If data is not valid, the query returns 9.9E37.

Returned Format [:MACHine{1|2}:SLISt:TMINimum] <time_value><NL>
<time_value> real number

Example OUTPUT XXX;" :MACHINE1:SLIST:TMINIMUM?"

VRUNs

Query :MACHine{1|2}:SLISt:VRUNs?

The VRUNs query returns the number of valid runs and total number of runs made. Valid runs are those where the pattern search for both the X and O markers was successful resulting in valid delta time measurements.

Returned Format [:MACHine{1|2}:SLISt:VRUNs] <valid_runs>,<total_runs><NL>
<valid_runs> zero or positive integer
<total_runs> zero or positive integer

Example OUTPUT XXX;" :MACHINE1:SLIST:VRUNs?"

XOTag

Query :MACHine{1|2}:SLISt:XOTag?

The XOTag query returns the time from the X to the O marker when the marker mode is time or the number of states from the X to the O marker when the marker mode is state. If there is no data in the time mode the query returns 9.9E37. If there is no data in the state mode, the query returns 32767.

Returned Format [:MACHine{1|2}:SLISt:XOTag] {<XO_time>|<XO_states>}<NL>

<XO_time> real number

<XO_states> integer

Example OUTPUT XXX; ":MACHINE1:SLIST:XOTAG?"

XOTime

Query :MACHine{1|2}:SLISt:XOTime?

The XOTime query returns the time from the X to the O marker when the marker mode is time or the number of states from the X to the O marker when the marker mode is state. If there is no data in the time mode the query returns 9.9E37. If there is no data in the state mode, the query returns 32767.

Returned Format [:MACHine{1|2}:SLISt:XOTime] {<XO_time>|<XO_states>}<NL>

<XO_time> real number

<XO_states> integer

Example OUTPUT XXX; ":MACHINE1:SLIST:XOTIME?"

XPATtern

Command :MACHine{1|2}:SLISt:XPATtern <label_name>,
<label_pattern>

The XPATtern command allows you to construct a pattern recognizer term for the X Marker which is then used with the XSEarch criteria when moving the marker on patterns. Since this command deals with only one label at a time, a complete specification could require several invocations.

When the value of a pattern is expressed in binary, it represents the bit values for the label inside the pattern recognizer term. In whatever base is used, the value must be between 0 and $2^{32} - 1$, since a label may not have more than 32 bits. Because the <label_pattern> parameter may contain don't cares, it is handled as a string of characters rather than a number.

<label_name> string of up to 6 alphanumeric characters
<label_pattern> "{#B{0|1|X} . . . |
#Q{0|1|2|3|4|5|6|7|X} . . . |
#H{0|1|2|3|4|5|6|7|8|9|A|B|C|D|E|F|X} . . . |
{0|1|2|3|4|5|6|7|8|9} . . . }"

Example

OUTPUT XXX;" :MACHINE1:SLIST:XPATTERN 'DATA','255' "
OUTPUT XXX;" :MACHINE1:SLIST:XPATTERN 'ABC','#BXXXX1101' "

Query :MACHine{1|2}:SLISt:XPATtern? <label_name>

The XPATtern query returns the pattern specification for a given label name.

Returned Format [:MACHine{1|2}:SLISt:XPATtern]
<label_name>,<label_pattern><NL>

Example

OUTPUT XXX;" :MACHINE1:SLIST:XPATTERN? 'A' "

XSearch

Command :MACHine{1|2}:SLIST:XSearch <occurrence>,<origin>

The XSearch command defines the search criteria for the X Marker, which is then used with associated XPATtern recognizer specification when moving the markers on patterns. The origin parameter tells the Marker to begin a search with the trigger or with the start of data. The occurrence parameter determines which occurrence of the XPATtern recognizer specification, relative to the origin, the marker actually searches for. An occurrence of 0 places a marker on the selected origin.

<occurrence> integer from -8191 to +8191

<origin> {TRIGger|START}

Example

OUTPUT XXX; ":MACHINE1:SLIST:XSEARCH +10,TRIGGER"

Query :MACHine{1|2}:SLIST:XSearch?

The XSearch query returns the search criteria for the X marker.

Returned Format [:MACHine{1|2}:SLIST:XSearch] <occurrence>,<origin><NL>

Example

OUTPUT XXX; ":MACHINE1:SLIST:XSEARCH?"

XState

Query :MACHine{1|2}:SLISt:XState?

The XState query returns the line number in the listing where the X marker resides (-8191 to +8191). If data is not valid, the query returns 32767.

Returned Format [:MACHine{1|2}:SLISt:XState] <state_num><NL>

<state_num> integer from -8191 to +8191, or 32767

Example OUTPUT XXX;":MACHINE1:SLIST:XSTATE?"

XTAG

Command :MACHine{1|2}:SLISt:XTAG
{<time_value>|<state_value>}

The XTAG command specifies the tag value on which the X Marker should be placed. The tag value is time when time tagging is on or states when state tagging is on. If the data is not valid tagged data, no action is performed.

<time_value> real number

<state_value> integer

Example OUTPUT XXX;":MACHINE1:SLIST:XTAG 40.0E-6"

Query :MACHine{1|2}:SLISt:XTAG?

The XTAG query returns the X Marker position in time when time tagging is on or in states when state tagging is on, regardless of whether the marker was positioned in time or through a pattern search. If data is not valid tagged data, the query returns 9.9E37 for time tagging, or returns 32767 for state tagging.



Returned Format [:MACHine{1|2}:SLISt:XTAG] {<time_value>|<state_value>}<NL>

Example OUTPUT XXX; ":MACHINE1:SLIST:XTAG?"



SWAVeform Subsystem

Introduction

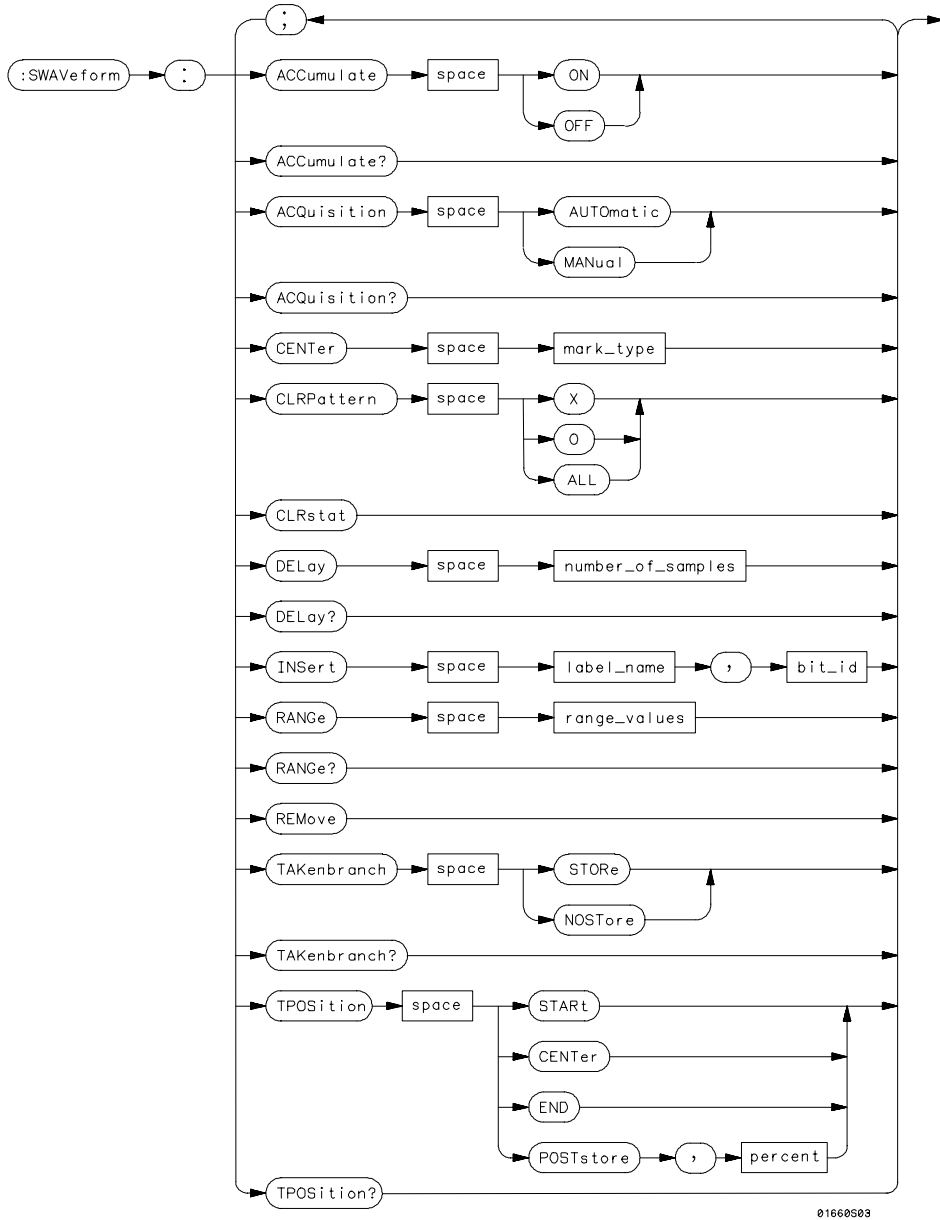
The commands in the State Waveform subsystem allow you to configure the display so that you can view state data as waveforms on up to 96 channels identified by label name and bit number. The 11 commands are analogous to their counterparts in the Timing Waveform subsystem. However, in this subsystem the x-axis is restricted to representing only samples (states), regardless of whether time tagging is on or off. As a result, the only commands which can be used for scaling are DELay and RANGe.

The way to manipulate the X and O markers on the Waveform display is through the State Listing (SLISt) subsystem. Using the marker commands from the SLISt subsystem will affect the markers on the Waveform display.

The commands in the SWAVEform subsystem are:

- ACCumulate
- ACQuisition
- CENter
- CLRPattern
- CLRStat
- DELay
- INSert
- RANGe
- REMove
- TAKenbranch
- TPOsition

Figure 18-1



SWAVeform Subsystem Syntax Diagram

Table 18-1

SWAVEform Parameter Values

Parameter	Value
number_of_samples	integer from -8191 to +8191
label_name	string of up to 6 alphanumeric characters
bit_id	{OVERlay <bit_num> ALL}
bit_num	integer representing a label bit from 0 to 31
range_values	integer from 10 to 5000 (representing (10 × states/Division))
mark_type	{X O XO TRIGger}
percent	integer from 0 to 100

SWAVEform(State Waveform)

Selector :MACHine{1|2}:SWAVEform

The SWAVEform selector is used as part of a compound header to access the settings in the State Waveform menu. It always follows the MACHine selector because it selects a branch directly below the MACHine level in the command tree.

Example

```
OUTPUT XXX;" :MACHINE2:SWAVEFORM:RANGE 40 "
```

ACCumulate

Command :MACHine{1|2}:SWAVeform:ACCumulate
 {{ON|1}|{OFF|0}}

The ACCumulate command allows you to control whether the waveform display gets erased between individual runs or whether subsequent waveforms are displayed over the previous waveforms.

Example OUTPUT XXX; ":MACHINE1:SWAVEFORM:ACCUMULATE ON"

Query :MACHine{1|2}:SWAVeform:ACCumulate?

The ACCumulate query returns the current setting. The query always shows the setting as the characters, "0" (off) or "1" (on).

Returned Format [:MACHine{1|2}:SWAVeform:ACCumulate] {0|1}<NL>

Example OUTPUT XXX; ":MACHINE1:SWAVEFORM:ACCUMULATE?"

ACQquisition

Command :MACHine{1|2}:SWAVeform:ACQquisition
 {AUTOMatic|MANual}

The ACQquisition command allows you to specify the acquisition mode for the state analyzer. The acquisition modes are automatic and manual.

Example OUTPUT XXX; ":MACHINE2:SWAVEFORM:ACQUISITION AUTOMATIC"

SWAVEform Subsystem CENTer

Query :MACHine{1|2}:SWAVEform:ACQuisition?

Returned Format The ACQuisition query returns the current acquisition mode.
[:MACHine{1|2}:SWAVEform:ACQuisition] {AUTOMatic|MANual}<NL>

Example OUTPUT XXX; ":MACHINE2:SWAVEFORM:ACQUISITION?"

CENTer

Command :MACHine{1|2}:SWAVEform:CENTer <marker_type>

The CENTer command allows you to center the waveform display about the specified markers. The markers are placed on the waveform in the SLIST subsystem.

<marker_type> {X|O|XO|TRIGger}

Example OUTPUT XXX; ":MACHINE1:SWAVEFORM:CENTER X"

CLRPattern

Command :MACHine{1|2}:SWAVEform:CLRPattern {X|O|ALL}

The CLRPattern command allows you to clear the patterns in the selected Specify Patterns menu.

Example OUTPUT XXX; ":MACHINE1:SWAVEFORM:CLRPATTERN"

CLRStat

Command :MACHine{1|2}:SWAVeform:CLRStat

The CLRStat command allows you to clear the waveform statistics without having to stop and restart the acquisition.

Example OUTPUT XXX; ":MACHINE1:SWAVEFORM:CLRSTAT"

DELaY

Command :MACHine{1|2}:SWAVeform:DELaY <number_of_samples>

The DELaY command allows you to specify the number of samples between the State trigger and the horizontal center of the screen for the waveform display. The allowed number of samples is from -8191 to +8191.

<number_of_ integer from -8191 to +8191
samples>

Example OUTPUT XXX; ":MACHINE2:SWAVEFORM:DELAY 127"

Query :MACHine{1|2}:SWAVeform:DELaY?

The DELaY query returns the current sample offset value.

Returned Format [:MACHine{1|2}:SWAVeform:DELaY] <number_of_samples><NL>

<number_of_ integer from -8191 to +8191
samples>

Example OUTPUT XXX; ":MACHINE1:SWAVEFORM:DELAY?"

INSert

Command :MAChine{1|2}:SWAVeform:INSert
 <label_name>, <bit_id>

The INSert command allows you to add waveforms to the state waveform display. Waveforms are added from top to bottom on the screen. When 96 waveforms are present, inserting additional waveforms replaces the last waveform. Bit numbers are zero-based, so a label with 8 bits is referenced as bits 0 through 7. Specifying OVERlay causes a composite waveform display of all bits or channels for the specified label. ALL inserts all bits individually.

<label_name> string of up to 6 alphanumeric characters
 <bit_id> {OVERlay|<bit_num>|ALL}
 <bit_num> integer representing a label bit from 0 to 31

Example

```
OUTPUT XXX;":MACHINE1:SWAVEFORM:INSERT 'WAVE', 19"  
OUTPUT XXX;":MACHINE1:SWAVEFORM:INSERT 'ABC', OVERLAY"  
OUTPUT XXX;":MACH1:SWAV:INSERT 'POD1', #B1001"
```

RANGE

Command :MAChine{1|2}:SWAVeform:RANGE <number_of_samples>

The RANGE command allows you to specify the number of samples across the screen on the State Waveform display. It is equivalent to ten times the states per division setting (states/Div) on the front panel. A number between 10 and 5000 may be entered.

<number_of_ integer from 10 to 5000
samples>

Example

```
OUTPUT XXX;":MACHINE2:SWAVEFORM:RANGE 80"
```

Query :MACHine{1|2}:SWAVeform:RANGe?

The RANGe query returns the current range value.

Returned Format [:MACHine{1|2}:SWAVeform:RANGe] <number_of_samples><NL>
 <number_of_samples> integer from 10 to 5000

Example OUTPUT XXX; ":MACHINE2:SWAVEFORM:RANGE?"

REMove

Command :MACHine{1|2}:SWAVeform:REMove

The REMove command allows you to clear the waveform display before building a new display.

Example OUTPUT XXX; ":MACHINE1:SWAVEFORM:REMOVE"

TAKenbranch

Command :MACHine{1|2}:SWAVeform:TAKenbranch
 {STORE|NOSTore}

The TAKenbranch command allows you to control whether the states that cause branching are stored or not stored. This command is only available when the acquisition mode is set to manual.

Example OUTPUT XXX; ":MACHINE2:SWAVEFORM:TAKENBRANCH STORE"

Query :MACHine{1|2}:SWAVeform:TAKenbranch?

The TAKenbranch query returns the current setting.
Returned Format [:MACHine{1 | 2} :SWAVeform:TAKenbranch] {STORE | NOSTore} <NL>

Example OUTPUT XXX; " :MACHINE2:SWAVEFORM:TAKENBRANCH? "

TPOStition

Command :MACHine{1 | 2} :SWAVeform:TPOStition
{ START | CENTER | END | POSTstore , <percent> }

The TPOStition command allows you to control where the trigger point is placed. The trigger point can be placed at the start, center, end, or at a percentage of post store. The post store option is the same as the User Defined option when setting the trigger point from the front panel.

The TPOStition command is only available when the acquisition mode is set to manual.

<percent> integer from 1 to 100

Example OUTPUT XXX; " :MACHINE2:SWAVEFORM:TPOSITION CENTER "

Query :MACHine{1 | 2} :SWAVeform:TPOStition?

The TPOStition query returns the current trigger setting.
Returned Format [:MACHine{1 | 2} :SWAVeform:TPOStition]
{ START | CENTER | END | POSTstore ,
<percent> } <NL>

<percent> integer from 1 to 100

Example OUTPUT XXX; " :MACHINE2:SWAVEFORM:TPOStition? "



SCHart Subsystem

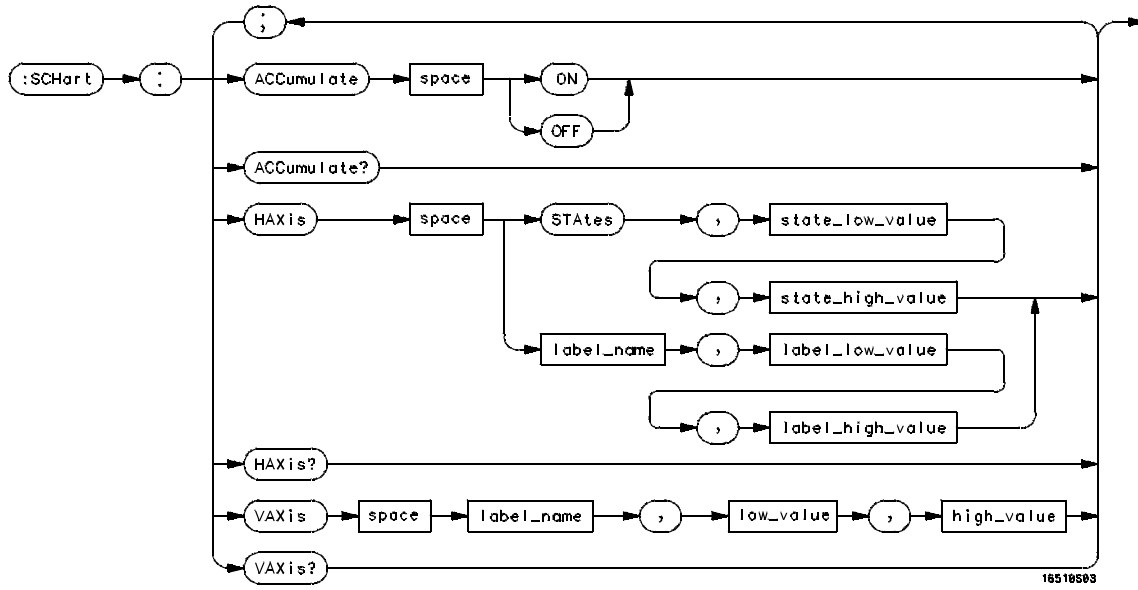
Introduction

The State Chart subsystem provides the commands necessary for programming the Chart display in HP 1660E/ES/EP-series logic analyzers. The commands allow you to build charts of label activity, using data normally found in the Listing display. The chart's Y axis is used to show data values for the label of your choice. The X axis can be used in two different ways. In one, the X axis represents states (shown as rows in the State Listing display). In the other, the X axis represents the data values for another label. When states are plotted along the X axis, X and O markers are available. Because the State Chart display is simply an alternative way of looking at the data in the State Listing, the X and O markers can be manipulated through the SLISt subsystem. Because the programming commands do not force the menus to switch, you can position the markers in the SLISt subsystem and see the effects in the State Chart display.

The commands in the SChart subsystem are:

- ACCumulate
- HAXis
- VAXis

Figure 19-1



SCHart Subsystem Syntax Diagram

Table 19-1

SCHart Parameter Values

Parameter	Values
state_low_value	integer from -8191 to +8191
state_high_value	integer from <state_low_value> to +8191
label_name	string of up to 6 alphanumeric characters
label_low_value	string from 0 to $2^{32} - 1$ (#HFFFF)
label_high_value	string from <label_low_value> to $2^{32} - 1$ (#HFFFF)
low_value	string from 0 to $2^{32} - 1$ (#HFFFF)
high_value	string from low_value to $2^{32} - 1$ (#HFFFF)

SCHart

Selector :MACHine{1|2}:SCHart

The SCHart selector is used as part of a compound header to access the settings found in the State Chart menu. It always follows the MACHine selector because it selects a branch below the MACHine level in the command tree.

Example

OUTPUT XXX;" :MACHINE1:SCHART:VAXIS 'A', '0', '9'"

ACCumulate

Command :MACHine{1|2}:SCHart:ACCumulate {{ON|1}|{OFF|0}}

The ACCumulate command allows you to control whether the chart display gets erased between each individual run or whether subsequent waveforms are allowed to be displayed over the previous waveforms.

Example OUTPUT XXX; ":MACHINE1:SCHART:ACCUMULATE OFF"

Query :MACHine{1|2}:SCHart:ACCumulate?

The ACCumulate query returns the current setting. The query always shows the setting as the character "0" (off) or "1" (on).

Returned Format [:MACHine{1|2}:SCHart:ACCumulate] {0|1}<NL>

Example OUTPUT XXX; ":MACHINE1:SCHART:ACCUMULATE?"

HAXis

Command :MACHine{1|2}:SCHart:HAXis {STates,
<state_low_value>,<state_high_value>|<label_name>,
<label_low_value>,<label_high_value>}

The HAXis command allows you to select whether states or a label's values will be plotted on the horizontal axis of the chart. The axis is scaled by specifying the high and low values.

The shortform for STATES is STA. This is an intentional deviation from the normal truncation rule.

SCHart Subsystem HAXis

<state_low_value>	integer from -8191 to +8191
<state_high_value>	integer from <state_low_value> to +8191
<label_name>	string of up to 6 alphanumeric characters
<label_low_value>	string from 0 to $2^{32}-1$ (#HFFFF)
<label_high_value>	string from <label_low_value> to $2^{32}-1$ (#HFFFF)

Example

```
OUTPUT XXX;" :MACHINE1:SCHART:HAXIS STATES, -100, 100"  
OUTPUT XXX;" :MACHINE1:SCHART:HAXIS 'READ', '-511', '511'"
```

Query

```
:MACHine{1|2}:SCHart:HAXis?
```

Returned Format

The HAXis query returns the current horizontal axis label and scaling.

```
[ :MACHine{1|2}:SCHart:HAXis] {{STATes,<state_low_value>,  
<state_high_value>}}|{<label_name>,<label_low_value>,  
<label_high_value>}}
```

Example

```
OUTPUT XXX;" :MACHINE1:SCHART:HAXIS?"
```

VAXis

Command :MACHine{1|2}:SCHart:VAXis
<label_name>,<low_value>,<high_value>

The VAXis command allows you to choose which label will be plotted on the vertical axis of the chart and scale the vertical axis by specifying the high value and low value.

<label_name> string of up to 6 alphanumeric characters
<low_value> string from 0 to $2^{32}-1$ (#HFFFF)
<high_value> string from <low_value> to $2^{32}-1$ (#HFFFF)

Example OUTPUT XXX;" :MACHINE2:SCHART:VAXIS 'SUM1', '0', '99'"
OUTPUT XXX;" :MACHINE1:SCHART:VAXIS 'BUS', '#H00FF', '#H0500'"

Query :MACHine{1|2}:SCHart:VAXis?

The VAXis query returns the current vertical axis label and scaling.

Returned Format [:MACHine{1|2}:SCHart:VAXis] <label_name>,<low_value>,
<high_value><NL>

Example OUTPUT XXX;" :MACHINE1:SCHART:VAXIS?"



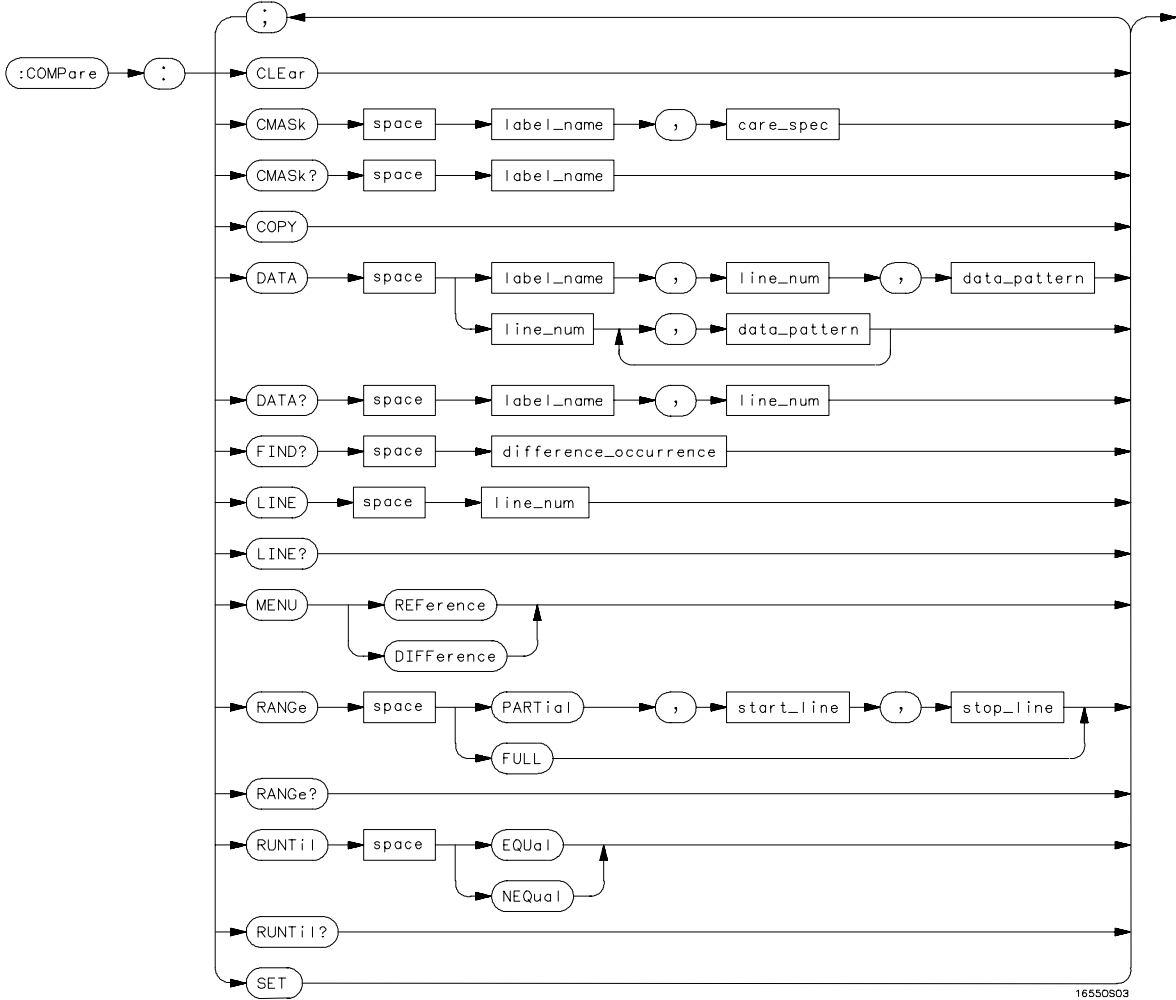
COMPare Subsystem

Introduction

Commands in the state COMPare subsystem provide the ability to do a bit-by-bit comparison between the acquired state data listing and a compare data image. The commands are:

- CLEAr
- CMASk
- COPY
- DATA
- FIND
- LINE
- MENU
- RANGe
- RUNTil
- SET

Figure 20-1



COMPare Subsystem Syntax Diagram

Table 20-1

Compare Parameter Values

Parameter	Values
label_name	string of up to 6 characters
care_spec	string of characters "{ * . } . . . "
*	care
.	don't care
line_num	integer from -8191 to +8191
data_pattern	" {B{0 1 X} . . . #Q{0 1 2 3 4 5 6 7 X} . . . #H{0 1 2 3 4 5 6 7 8 9 A B C D E F X} . . . {0 1 2 3 4 5 6 7 8 9} . . . } "
difference_occurrence	integer from 1 to 8192
start_line	integer from -8191 to +8191
stop_line	integer from <start_line> to +8191

COMPare

Selector

:MACHine{1|2}:COMPare

The COMPare selector is used as part of a compound header to access the settings found in the Compare menu. It always follows the MACHine selector because it selects a branch directly below the MACHine level in the command tree.

Example

OUTPUT XXX; ":MACHINE1:COMPARE:FIND? 819"

CLEAr

Command :MACHine{1|2}:COMPare:CLEAr

The CLEAr command clears all "don't cares" in the reference listing and replaces them with zeros except when the CLEAr command immediately follows the SET command (see SET command).

Example OUTPUT XXX; ":MACHINE2:COMPARE:CLEAR "

CMASK

Command :MACHine{1|2}:COMPare:CMASK
<label_name>, <care_spec>

The CMASK (Compare Mask) command allows you to set the bits in the channel mask for a given label in the compare listing image to "compares" or "don't compares."

<label_name> A string of up to 6 alphanumeric characters

<care_spec> A string of characters "{*|.}..." (32 characters maximum)

<*> An indicator that tells the logic analyzer that it cares about this bit.

<.> An indicator that tells the logic analyzer that it does not care about this bit (don't care).

Example OUTPUT XXX; ":MACHINE2:COMPARE:CMASK 'DATA', '*.*.*.*.*'"

Query :MACHine{1|2}:COMPare:CMASK <label_name>?

The CMASK query returns the state of the bits in the channel mask for a given label in the compare listing image.

Returned Format [:MACHine{1|2}:COMPare:CMASK] <label_name>, <care_spec>

<label_name> A string of up to 6 alphanumeric characters

<care_spec> A string of characters "{*|.}..." (32 characters maximum)

<*> An indicator that tells the logic analyzer that it cares about this bit.

<.> An indicator that tells the logic analyzer that it does not care about this bit (don't care).

Example

OUTPUT XXX; ":MACHINE2:COMPARE:CMASK 'DATA'?"

COPY

Command :MACHine{1|2}:COMPare:COPY

The COPY command copies the current acquired State Listing for the specified machine into the Compare Reference template. It does not affect the compare range or channel mask settings.

Example

OUTPUT XXX; ":MACHINE2:COMPARE:COPY"

DATA

Command :MACHine{1|2}:COMPare:DATA {<label_name>,
 <line_num>,<data_pattern>|<line_num>,
 <data_pattern>[, <data_pattern>]... }

The DATA command allows you to edit the compare listing image for a given label and state row. When DATA is sent to an instrument where no compare image is defined (such as at power-up) all other data in the image is set to don't cares.

Not specifying the <label_name> parameter allows you to write data patterns to more than one label for the given line number. The first pattern is placed in the leftmost label, with the following patterns being placed in a left-to-right fashion (as seen on the Compare display). Specifying more patterns than there are labels simply results in the extra patterns being ignored.

Because don't cares (Xs) are allowed in the data pattern, it must always be expressed as a string. You may still use different bases although don't cares cannot be used in a decimal number.

<label_name> A string of up to 6 alphanumeric characters

<line_num> An integer from -8191 to +8191

<data pattern> A string in one of the following forms:
 " {B{0|1|X} . . . |
 #Q{0|1|2|3|4|5|6|7|X} . . . |
 #H{0|1|2|3|4|5|6|7|8|9|A|B|C|D|E|F|X} . . . |
 {0|1|2|3|4|5|6|7|8|9} . . . }"

Example

```
OUTPUT XXX;":MACHINE2:COMPARE:DATA 'CLOCK', 42, '#B011X101X'"
OUTPUT XXX;":MACHINE2:COMPARE:DATA 'OUT3', 0, '#HFF40'"
OUTPUT XXX;":MACHINE1:COMPARE:DATA 129, '#BXX00', '#B1101',
'#B10XX'"
OUTPUT XXX;":MACH2:COMPARE:DATA -511, '4', '64', '16', 256',
'8', '16'"
```

COMPare Subsystem
DATA

Query :MACHine{1|2}:COMPare:DATA?
 <label_name>,<line_num>

The DATA query returns the value of the compare listing image for a given label and state row.

Returned Format [:MACHine{1|2}:COMPare:DATA] <label_name>,<line_num>,
 <data_pattern><NL>

<label_name> A string of up to 6 alphanumeric characters

<line_num> An integer from -8191 to +8191

<data_pattern> A string in one of the following forms:
 "{B{0|1|X} . . . |
 #Q{0|1|2|3|4|5|6|7|X} . . . |
 #H{0|1|2|3|4|5|6|7|8|9|A|B|C|D|E|F|X} . . . |
 {0|1|2|3|4|5|6|7|8|9} . . . }"

Example

```
10 DIM Label$(6), Response$(80)
15 PRINT "This program shows the values for a signal's Compare listing"
20 INPUT "Enter signal label: ", Label$
25 OUTPUT XXX;" :SYSTEM:HEADER OFF"            !Turn headers off (from responses)
30 OUTPUT XXX;" :MACHINE2:COMPARE:RANGE?"
35 ENTER XXX; First, Last !Read in the range's end-points
40 PRINT "LINE ", "VALUE of "; Label$
45 FOR State = First TO Last            !Print compare value for each state
50    OUTPUT XXX;" :MACH2:COMPARE:DATA? '" & Label$ & "'," & VAL$(State)
55    ENTER XXX; Response$
60    PRINT State, Response$
65    NEXT State
70 END
```

FIND

Query :MACHine{1|2}:COMPare:FIND?
<difference_occurrence>

The FIND query is used to get the line number of a specified difference occurrence (first, second, third, etc) within the current compare range, as dictated by the RANGe command (see page 20-11). A difference is counted for each line where at least one of the current labels has a discrepancy between its acquired state data listing and its compare data image.

Invoking the FIND query updates both the Listing and Compare displays so that the line number returned is in the center of the screen.

Returned Format [:MACHine{1|2}:COMPare:FIND] <difference_occurrence>,
<line_number><NL>

<difference_ integer from 1 to 8192
occurrence>

<line_number> integer from -8191 to +8191

Example OUTPUT XXX; " :MACHINE2:COMPARE:FIND? 26 "

LINE

Command :MACHine{1|2}:COMPare:LINE <line_num>

The LINE command allows you to center the compare listing data about a specified line number.

<line_num> An integer from -8191 to +8191

Example

OUTPUT XXX;":MACHINE2:COMPARE:LINE -511"

Query :MACHine{1|2}:COMPare:LINE?

The LINE query returns the current line number specified.

Returned Format [:MACHine{1|2}:COMPare:LINE] <line_num><NL>

<line_num> An integer from -8191 to +8191

Example

OUTPUT XXX;":MACHINE4:COMPARE:LINE?"

MENU

Command :MACHine{1|2}:COMPare:MENU {REFerence|DIFFerence}

The MENU command allows you to display the reference or the difference listing in the Compare menu.

Example

OUTPUT XXX;":MACHINE2:COMPARE:MENU REFERENCE"

RANGe

Command :MAChine{1|2}:COMParE:RANGe {FULL | PARTIal,<start_line>,<stop_line>}

The RANGe command allows you to define the boundaries for the comparison. The range entered must be a subset of the lines in the acquire memory.

<start_line> integer from -8191 to +8191
 <stop_line> integer from <start_line> to +8191

Example OUTPUT XXX; ":MACHINE2:COMPARE:RANGE PARTIAL, -511, 512"
 OUTPUT XXX; ":MACHINE2:COMPARE:RANGE FULL"

Query :MAChine{1|2}:COMParE:RANGe?

The RANGe query returns the current boundaries for the comparison.

Returned Format [:MAChine{1|2}:COMParE:RANGe] {FULL | PARTIal,<start_line>,<stop_line>}<NL>

<start_line> integer from -8191 to +8191
 <stop_line> integer from <start_line> to +8191

Example OUTPUT XXX; ":MACHINE1:COMPARE:RANGE?"

RUNTil

Command :MACHine{1|2}:COMPare:RUNTil {OFF | LT,<value> |
GT,<value> | INRange,<value>,<value> |
OUTRange,<value>,<value> | EQUal | NEQual }

The RUNTil (run until) command allows you to define a stop condition when the trace mode is repetitive. Specifying OFF causes the analyzer to make runs until either the display's STOP field is touched or the STOP command is issued.

There are four conditions based on the time between the X and O markers. Using this difference in the condition is effective only when time tags have been turned on (see the TAG command in the STRace subsystem). These four conditions are as follows:

- The difference is less than (LT) some value.
- The difference is greater than (GT) some value.
- The difference is inside some range (INRange).
- The difference is outside some range (OUTRange).

End points for the INRange and OUTRange should be at least 8 ns apart since this is the minimum time resolution of the time tag counter.

There are two conditions which are based on a comparison of the acquired state data and the compare data image. You can run until one of the following conditions is true:

- Every channel of every label has the same value (EQUal).
- Any channel of any label has a different value (NEQual).

The RUNTil instruction (for state analysis) is available in both the SLISt and COMPare subsystems.

<value> real number from -9E9 to +9E9

Example OUTPUT XXX; ":MACHINE2:COMPARE:RUNTIL EQUAL"

Query :MACHine{1|2}:COMPare:RUNTil?

The RUNTil query returns the current stop criteria for the comparison when running in repetitive trace mode.

Returned Format [:MACHine{1|2}:COMPare:RUNTil] {OFF | LT,<value> | GT,<value>
| INRange,<value>,<value> | OUTRange,<value>,<value> | EQUAL
| NEQual}<NL>

<value> real number from -9E9 to +9E9

Example OUTPUT XXX; ":MACHINE2:COMPARE:RUNTIL?"

SET

Command :MACHine{1|2}:COMPare:SET

The SET command sets every state in the reference listing to "don't cares." If you send the SET command by mistake you can immediately send the CLEAR command to restore the previous data. This is the only time the CLEAR command will not replace "don't cares" with zeros.

Example OUTPUT XXX; ":MACHINE2:COMPARE:SET"



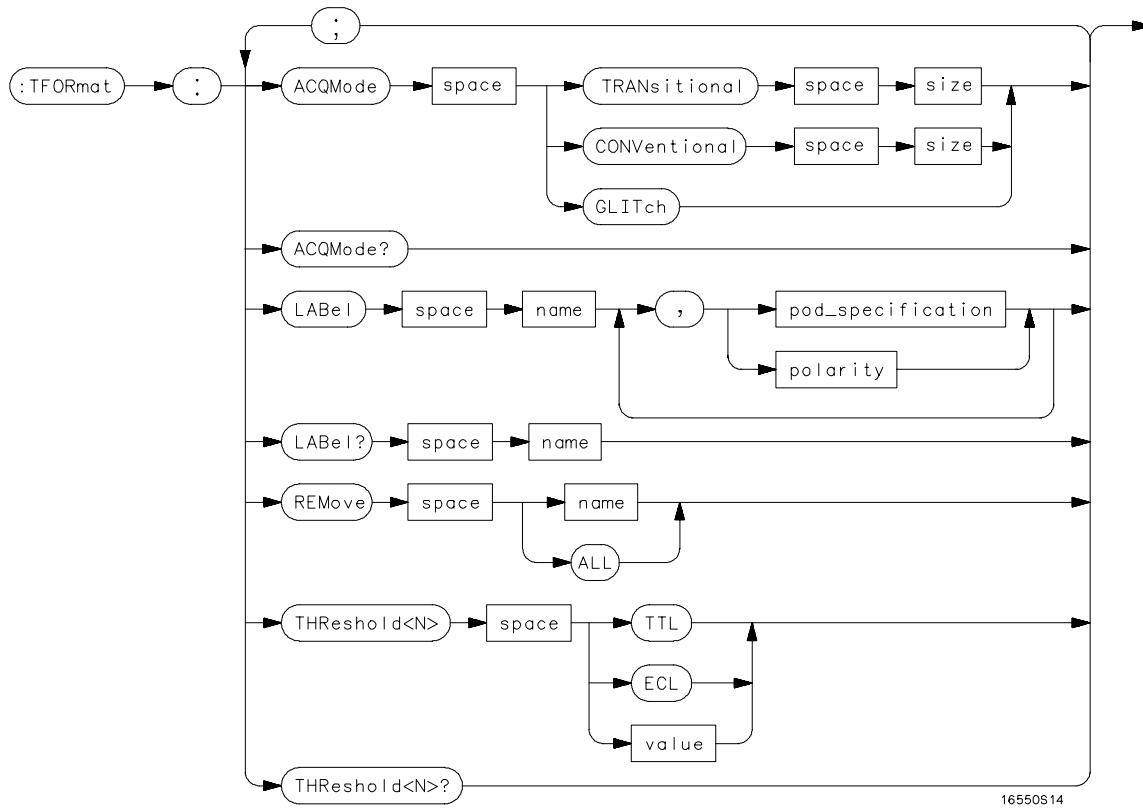
TFORmat Subsystem

Introduction

The TFOFormat subsystem contains the commands available for the Timing Format menu in the HP 1660E/ES/EP-series logic analyzers. These commands are:

- ACQMode
- LABEL
- REMove
- THReshold

Figure 21-1



TFORmat Subsystem Syntax Diagram

Table 21-1

TFormat Parameter Values

Parameter	Values
size	{ FULL HALF }
<N>	{ 1 2 3 4 5 6 7 8 }
name	string of up to 6 alphanumeric characters
polarity	{ POSitive NEGative }
pod_specification	format (integer from 0 to 65535) for a pod (pods are assigned in decreasing order)
value	voltage (real number) -6.00 to +6.00

TFormat (Timing Format)

Selector

:MACHine{ 1 | 2 } :TFormat

The TFormat selector is used as part of a compound header to access those settings normally found in the Timing Format menu. It always follows the MACHine selector because it selects a branch directly below the MACHine level in the language tree.

Example

```
OUTPUT XXX ; " :MACHINE1 :TFORMAT :ACQMODE? "
```

ACQMode

Command :MACHine{1|2}:TFOrmat:ACQMode {TRANSitional
 <size> | CONVentional <size> | GLITCh}

The ACQMode (acquisition mode) command allows you to select the acquisition mode for the timing analyzer. The options are:

- conventional mode at full-channel 250 MHz
- conventional mode at half-channel 500 Mhz
- transitional mode at full-channel 125 MHz
- transitional mode at half-channel 250 MHz
- glitch mode

<size> {FULL|HALF}

Example

OUTPUT XXX; ":MACHINE2:TFORMAT:ACQMODE TRANSITIONAL HALF"

Query :MACHine{1|2}:TFOrmat:ACQMode?

The ACQMode query returns the current acquisition mode.

Returned Format [:MACHine{1|2}:TFOrmat:ACQMode] {TRANSitional
 <size>|CONVentional <size>|GLITCh}<NL>

<size> {FULL|HALF}

Example

OUTPUT XXX; ":MACHINE2:TFORMAT:ACQMODE?"

LABel

Command :MACHine{1|2}:Tformat:LABel <name> ,
 [<polarity> ,][<pod_spec>]

The LABel command allows you to specify polarity and to assign channels to new or existing labels. If the specified label name does not match an existing label name, a new label will be created.

The order of the pod-specification parameters is significant. The first one listed will match the highest numbered pod assigned to the machine you're using. Each pod specification after that is assigned to the next highest numbered pod. This way they match the left-to-right descending order of the pods you see on the Format display. Not including enough pod specifications results in the lowest numbered pods being assigned a value of zero (all channels excluded). If you include more pod specifications than there are pods for that machine, the extra ones will be ignored. However, an error is reported anytime more than 13 pod specifications are listed.

The polarity can be specified at any point after the label name.

Because pods contain 16 channels, the format value for a pod must be between 0 and 65535 ($2^{16}-1$). When giving the pod assignment in binary (base 2), each bit will correspond to a single channel. A "1" in a bit position means the associated channel in that pod is assigned to that pod and bit. A "0" in a bit position means the associated channel in that pod is excluded from the label. For example, assigning #B1111001100 is equivalent to entering ".....****.***." from the front panel.

A label can not have a total of more than 32 channels assigned to it.

<name> string of up to 6 alphanumeric characters

<polarity> {POSitive|NEGative}

<pod_spec> <clock_bits> , <upper_bits> , <lower_bits>
 [, <upper_bits> , <lower_bits>] . . .

<clock_bits> integer from 0 to 63 for clock format (clocks assigned in decreasing order)

<upper_bits> integer from 0 to 65535 for pod format (pods assigned in decreasing order)

<lower_bits> integer from 0 to 65535 for pod format (pods assigned in decreasing order)

Example OUTPUT XXX;":MACHINE2:TFORMAT:LABEL 'STAT', POSITIVE,
 0,127,40312"
 OUTPUT XXX;":MACHINE2:TFORMAT:LABEL 'SIG 1',
 #B11,#B0000000011111111,#B000000000000000 "

Query :MACHine{1|2}:Tformat:LABel? <name>

The LABEL query returns the current specification for the selected (by name) label. If the label does not exist, nothing is returned. Numbers are always returned in decimal format.

Returned Format [:MACHine{1|2}:Tformat:LABel] <name>,<polarity>
 [,<assignment>]...<NL>

 <name> string of up to 6 alphanumeric characters

 <polarity> {POSitive|NEGative}

Example OUTPUT XXX;":MACHINE2:TFORMAT:LABEL? 'DATA' "

REMove

Command :MACHine{1|2}:TFORMAT:REMove {<name>|ALL}

The REMove command allows you to delete all labels or any one label specified by name for a given machine.

 <name> string of up to 6 alphanumeric characters

Example OUTPUT XXX;":MACHINE1:TFORMAT:REMOVE 'A' "
 OUTPUT XXX;":MACHINE1:TFORMAT:REMOVE ALL"

THReshold

Command :MAChine{1|2}:TFOrmat:THReshold<N> {TTL|ECL|<value>}

The THReshold command allows you to set the voltage threshold for a given pod to ECL, TTL, or a specific voltage from -6.00 V to +6.00 V in 0.05 volt increments.

 <N> pod number {1|2|3|4|5|6|7|8}

 <value> voltage (real number) -6.00 to +6.00

 TTL default value of +1.6 V

 ECL default value of -1.3 V

Example OUTPUT XXX;" :MACHINE1:TFORMAT:THRESHOLD1 4.0 "

Query :MAChine{1|2}:TFOrmat:THReshold<N>?

The THReshold query returns the current threshold for a given pod.

Returned Format [:MAChine{1|2}:TFOrmat:THReshold<N>] <value><NL>

Example OUTPUT XXX;" :MACHINE1:TFORMAT:THRESHOLD2?"



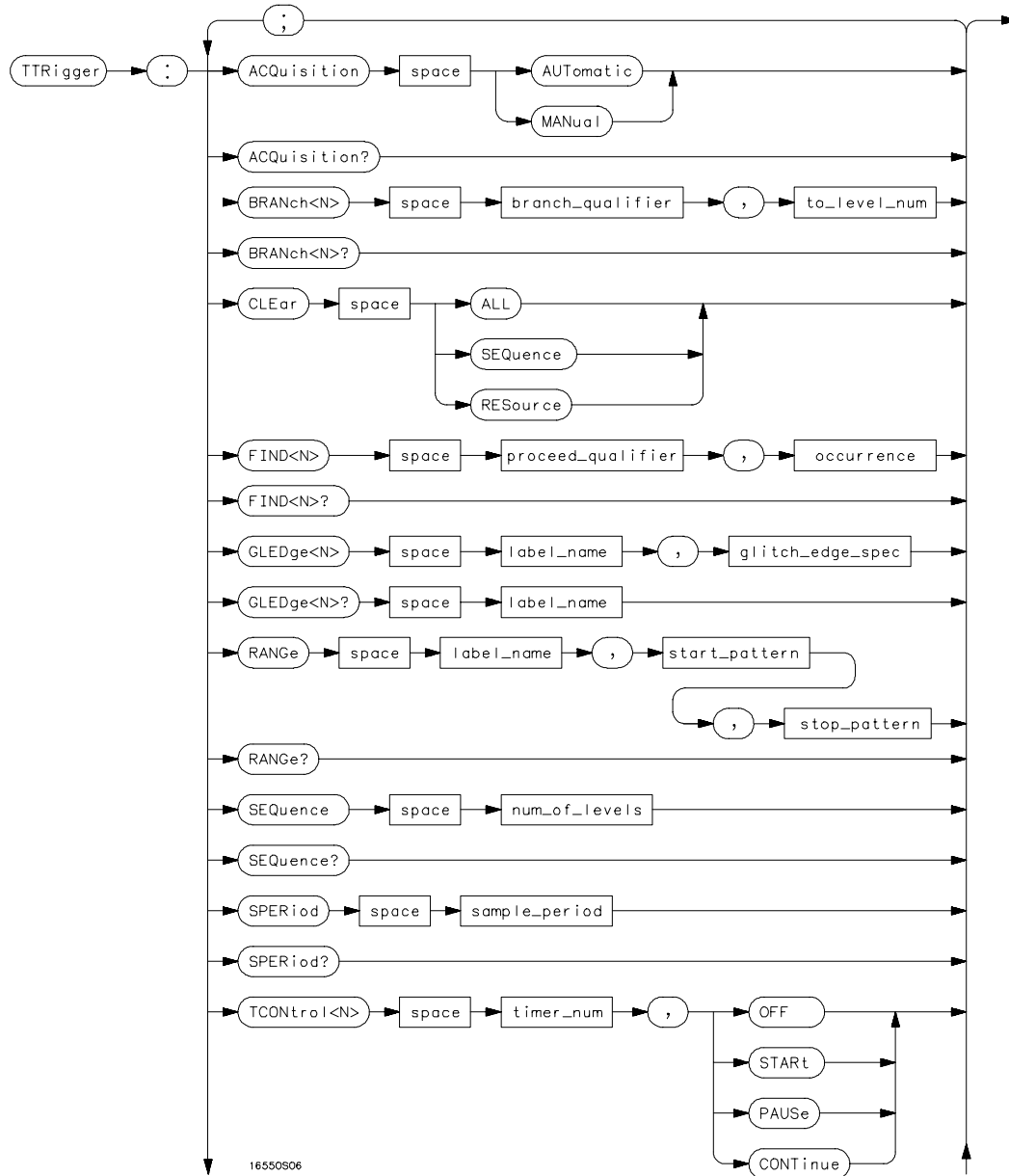
TTRigger (TTRace) Subsystem

Introduction

The TTRigger subsystem contains the commands available for the Timing Trigger menu in the HP 1660E/ES/EP-series logic analyzers. The Timing Trigger subsystem will also accept the TTRace selector as used in previous HP 1650-series logic analyzers to eliminate the need to rewrite programs containing TTRace as the selector keyword. The TTRigger subsystem commands are:

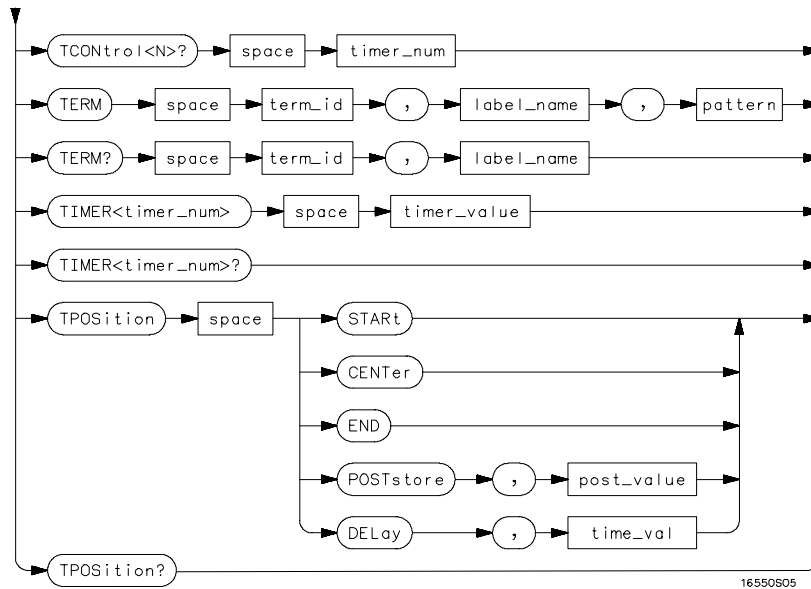
- ACQuisition
- BRANch
- CLEar
- FIND
- GLEdGe
- RANGe
- SEQuence
- SPERiod
- TCONtrol
- TERM
- TIMER
- TPOStion

Figure 22-1



TTRigger Subsystem Syntax Diagram

Figure 22-1 (continued)



TTRigger Subsystem Syntax Diagram (continued)

Table 22-1

TTRigger Parameter Values

Parameter	Values
branch_qualifier	<qualifier>
to_lev_num	integer from 1 to last level
proceed_qualifier	<qualifier>
occurrence	number from 1 to 1048575
label_name	string of up to 6 alphanumeric characters
glitch_edge_spec	string consisting of {R F E G .} R, F, and E represents rising, falling, either edge respectively. G represents a glitch and a period (.) represents a don't care.
start_pattern	"{#B{0 1} . . . #Q{0 1 2 3 4 5 6 7} . . . #H{0 1 2 3 4 5 6 7 8 9 A B C D E F} . . . {0 1 2 3 4 5 6 7 8 9} . . . }"
stop_pattern	"{#B{0 1} . . . #Q{0 1 2 3 4 5 6 7} . . . #H{0 1 2 3 4 5 6 7 8 9 A B C D E F} . . . {0 1 2 3 4 5 6 7 8 9} . . . }"
num_of_levels	integer from 1 to 10
timer_num	{1 2}
timer_value	400 ns to 500 seconds
term_id	{A B C D E F G H I J}
pattern	"{#B{0 1 X} . . . #Q{0 1 2 3 4 5 6 7 X} . . . #H{0 1 2 3 4 5 6 7 8 9 A B C D E F X} . . . {0 1 2 3 4 5 6 7 8 9} . . . }"
qualifier	see "Qualifier" on page 22-6
post_value	integer from 0 to 100 representing percentage
time_val	integer from 0 to 500 representing seconds

Qualifier

The qualifier for the timing trigger subsystem can be terms A through J, Timer 1 and 2, and Range 1 and 2 and glitch/edges 1 and 2. In addition, qualifiers can be the NOT boolean function of terms, timers, and ranges. The qualifier can also be an expression or combination of expressions as shown below and figure 22-2, "Complex Qualifier," on page 22-11.

The following parameters show how qualifiers are specified in all commands of the TTRigger subsystem that use <qualifier>.

<qualifier>	{"ANYSSTATE" "NOSTATE" "<expression>"}
<expression>	{<expression1a> <expression1b> <expression1a> OR <expression1b> <expression1a> AND <expression1b>}
<expression1a>	{<expression1a_term> (<expression1a_term>[OR <expression1a_term>]*) (<expression1a_term>[AND <expression1a_term>]*)}
<expression1a_term>	{<expression2a> <expression2b> <expression2c> <expression2d>}
<expression1b>	{<expression1b_term> (<expression1b_term>[OR <expression1b_term>]*) (<expression1b_term>[AND <expression1b_term>]*)}
<expression1b_term>	{<expression2e> <expression2f> <expression2g> <expression2h>}
<expression2a>	{<term3a> <term3b> (<term3a> <boolean_op> <term3b>)}
<expression2b>	{<term3c> <range3a> (<term3c> <boolean_op> <range3a>)}
<expression2c>	{<term3d> <gledge3a> (<term3d> <boolean_op> <gledge3a>)}
<expression2d>	{<term3e> <timer3a> (<term3e> <boolean_op> <timer3a>)}
<expression2e>	{<term3f> <term3g> (<term3f> <boolean_op> <term3g>)}
<expression2f>	{<term3h> <range3b> (<term3h> <boolean_op> <range3b>)}
<expression2g>	{<term3i> <gledge3b> (<term3i> <boolean_op> <gledge3b>)}
<expression2h>	{<term3j> <timer3b> (<term3e> <boolean_op> <timer3b>)}

<boolean_op> {AND | NAND | OR | NOR | XOR | NXOR}
<term3a> {A | NOTA}
<term3b> {B | NOTB}
<term3c> {C | NOTC}
<term3d> {D | NOTD}
<term3e> {E | NOTE}
<term3f> {F | NOTF}
<term3g> {G | NOTG}
<term3h> {H | NOTH}
<term3i> {I | NOTI}
<term3j> {J | NOTJ}
<range3a> {IN_RANGE1 | OUT_RANGE1}
<range3b> {IN_RANGE2 | OUT_RANGE2}
<gledge3a> {GLEDge1 | NOT GLEDge1}
<gledge3b> {GLEDge2 | NOT GLEDge2}
<timer3a> {TIMER1< | TIMER1>}
<timer3b> {TIMER2< | TIMER2>}

* = is optional such that it can be used zero or more times
+ = must be used at least once and can be repeated



Qualifier Rules

The following rules apply to qualifiers:

- Qualifiers are quoted strings and, therefore, need quotes.
- Expressions are evaluated from left to right.
- Parentheses are used to change the order evaluation and, therefore, are optional.
- An expression must map into the combination logic presented in the combination pop-up menu within the TTRigger menu.

Example

```
'A'  
'( A OR B )'  
'(( A OR B ) AND C )'  
'(( A OR B ) AND C AND IN_RANGE2 )'  
'(( A OR B ) AND ( C AND IN_RANGE1 ))'  
'IN_RANGE1 AND ( A OR B ) AND C'
```

TTRigger (TTRace) (Trace Trigger)

Selector

```
:MACHine{1|2}:TTRigger
```

The TTRigger selector is used as a part of a compound header to access the settings found in the Timing Trace menu. It always follows the MACHine selector because it selects a branch directly below the MACHine level in the command tree.

Example

```
OUTPUT XXX; ":MACHINE1:TTRIGGER:TAG TIME"
```

ACquisition

Command :MACHine{1|2}:TTRigger:ACquisition
 {AUTOMATIC|MANual}

The ACquisition command allows you to specify the acquisition mode for the Timing analyzer.

Example OUTPUT XXX; ":MACHINE1:TTRIGGER:ACQUISITION AUTOMATIC"

Query :MACHine{1|2}:TTRigger:ACquisition?

The ACquisition query returns the current acquisition mode specified.

Returned Format [:MACHine{1|2}:TTRigger:ACquisition] {AUTOMATIC|MANual} <NL>

Example OUTPUT XXX; ":MACHINE1:TTRIGGER:ACQUISITION?"

BRANch

Command :MACHine{1|2}:TTRigger:BRANch<N>
 <branch_qualifier>, <to_level_number>

The BRANch command defines the branch qualifier for a given sequence level. When this branch qualifier is matched, it will cause the sequencer to jump to the specified sequence level.

The terms used by the branch qualifier (A through J) are defined by the TERM command. The meaning of IN_RANGE and OUT_RANGE is determined by the RANGE command.

Within the limitations shown by the syntax definitions, complex expressions may be formed using the AND and OR operators. Expressions are limited to what you could manually enter through the Timing Trigger menu. Regarding parentheses, the syntax definitions on the next page show only the required ones. Additional parentheses are allowed as long as the meaning of the

expression is not changed. Figure 22-2 on page 22-11 shows a complex expression as seen in the Timing Trigger menu.

Example

The following statements are all correct and have the same meaning. Notice that the conventional rules for precedence are not followed. The expressions are evaluated from left to right.

```
OUTPUT XXX;":MACHINE1:TTRIGGER:BRANCH1 'C AND D OR F OR G', 1"  
OUTPUT XXX;":MACHINE1:TTRIGGER:BRANCH1 '((C AND D) OR (F OR G))', 1"  
OUTPUT XXX;":MACHINE1:TTRIGGER:BRANCH1 'F OR (C AND D) OR G',1"
```

<N> integer from 1 to <number_of_levels>

<to_level_number> integer from 1 to <number_of_levels>

<number_of_levels> integer from 1 to the number of existing sequence levels (maximum 10)

<branch_qualifier> <qualifier> see "Qualifier" on page 22-6

Example

```
OUTPUT XXX;":MACHINE1:TTRIGGER:BRANCH1 'ANYSATE', 3"  
OUTPUT XXX;":MACHINE2:TTRIGGER:BRANCH2 'A', 7"  
OUTPUT XXX;":MACHINE1:TTRIGGER:BRANCH3 '((A OR B) OR NOTG)',  
1"
```

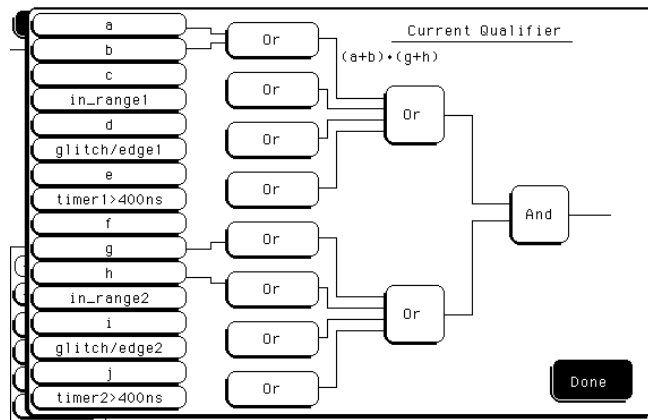
Query Syntax :MACHINE{1|2}:TTRigger:BRANch<N>?

The BRANch query returns the current branch qualifier specification for a given sequence level.

Returned Format [:MACHINE{1|2}:TTRigger:BRANch<N>] <branch_qualifier>, <to_level_num><NL>

Example OUTPUT XXX; ":MACHINE1:TTRIGGER:BRANCH3?"

Figure 22-2



Complex Qualifier

Figure 22-2 is a front-panel representation of the complex qualifier (a OR b) And (g OR h).

Example This example would be used to specify this complex qualifier.

OUTPUT XXX; ":MACHINE1:TTRIGGER:BRANCH1 '((A OR B) AND (G OR H))', 2"

Terms A through E, RANGE 1, GLITCH/EDGE1, and TIMER 1 must be grouped together and terms F through J, RANGE 2, GLITCH/EDGE2, and TIMER 2 must be grouped together. In the first level, terms from one group may not be mixed with terms from the other. For example, the expression ((A OR IN_RANGE2) AND (C OR H)) is not allowed because the term C cannot be specified in the E through J group.

In the first level, the operators you can use are AND, NAND, OR, NOR, XOR, NXOR. Either AND or OR may be used at the second level to join the two groups together. It is acceptable for a group to consist of a single term. Thus, an expression like (B AND G) is legal since the two operands are both simple terms from separate groups.

CLear

Command :MACHine{1|2}:TTRigger:CLear
 {All|SEQuence|RESourCe}

The CLear command allows you to clear all settings in the Timing Trigger menu and replace them with the default, clear only the sequence levels, or clear only the resource term patterns.

Example OUTPUT XXX;" :MACHINE1:TTRIGGER:CLEAR RESOURCE"

FIND

Command :MACHine{1|2}:TTRigger:FIND<N>
<time_qualifier>, <condition_mode>

The FIND command defines the time qualifier for a given sequence level. The qualifier tells the timing analyzer when to proceed to the next sequence level. When this proceed qualifier is matched the specified number of times, the trigger sequence will proceed to the next sequence level. In the sequence level where the trigger is specified, the FIND command specifies the trigger qualifier (see SEQuence command).

The terms A through J are defined by the TERM command. The meaning of IN_RANGE and OUT_RANGE is determined by the RANGE command. Expressions are limited to what you could manually enter through the Timing Trigger menu. Regarding parentheses, the syntax definitions below show only the required ones. Additional parentheses are allowed as long as the meaning of the expression is not changed. See figure 22-2 on page 22-11 for a detailed example.

<N> integer from 1 to the number of existing sequence levels (maximum 10)

<condition_mode> {{GT|LT}, <duration_time>|OCCurrence, <occurrence>}

GT greater than

LT less than

<duration_time> real number from 8 ns to 5.00 seconds depending on sample period

<occurrence> integer from 1 to 1048575

<time_qualifier> <qualifier> see "Qualifier" on page 22-6

Example

```
OUTPUT XXX;":MACHINE1:TTRIGGER:FIND1 'ANYSATE', GT, 10E-6"
OUTPUT XXX;":MACHINE1:TTRIGGER:FIND3 '((NOTA AND NOTB) OR
G)', OCCURRENCE, 10"
```

TTRigger (TTRace) Subsystem

GLEdge

Query `:MACHine{1|2}:TTRigger:FIND<N>?`

The FIND query returns the current time qualifier specification for a given sequence level.

Returned Format `[:MACHine{1|2}:TTRigger:FIND<N>] <condition_mode>, <occurrence><NL>`

Example `OUTPUT XXX; ":MACHINE1:TTRIGGER:FIND4?"`

GLEdge

Command `:MACHine{1|2}:TTRigger:GLEdge<N> <label_name>, <glitch_edge_spec>`

The GLEdge (glitch/edge) command allows you to define edge and glitch specifications for a given label. Edge specifications can be R (rising), F (falling), E (either), or "." (don't care). Glitch specifications consist of G (glitch) or "." (don't care). Edges and glitches are sent in the same string with the rightmost string character specifying what the rightmost bit will be.

The <glitch_edge_spec> string length must match the exact number of bits assigned to the specified label. If the string length does not match the number of bits, the "Parameter string invalid" message is displayed.

<N> {1|2}

<label_name> string of up to 6 alphanumeric characters

<glitch_edge_spec> string consisting of {R|F|E|G|.} [to total number of bits]

Example

For 8 bits assigned and no glitch:
 OUTPUT XXX;" :MACHINE1:TTRIGGER:GLEDE1 'DATA', '....F..E'"
 For 16 bits assigned with glitch:
 OUTPUT XXX;" :MACHINE1:TTRIGGER:GLEDE1 'DATA',
 '....GGG.....F..R'"

Query

:MACHine{1|2}:TTRigger:GLEDe<N>? <label_name>

Returned Format

The GLEDe query returns the current specification for the given label.
 [:MACHine{1|2}:TTRigger:GLEDe<N>]
 <label_name>,<glitch_edge_spec><NL>

Example

OUTPUT XXX;" :MACHINE1:TTRIGGER:GLEDE1? 'DATA' "

RANGe

Command

:MACHine{1|2}:TTRigger:RANGE <label_name>,
 <start_pattern>,<stop_pattern>

The RANGE command allows you to specify a range recognizer term for the specified machine. Since a range can only be defined across one label and, since a label must contain 32 or fewer bits, the value of the start pattern or stop pattern will be between $2^{32}-1$ and 0.

Since a label can only be defined across a maximum of two pods, a range term is only available across a single label; therefore, the end points of the range cannot be split between labels.

When these values are expressed in binary, they represent the bit values for the label at one of the range recognizers' end points. Don't cares are not allowed in the end point pattern specifications.

TTRigger (TTRace) Subsystem RANGe

<label_name> string of up to 6 alphanumeric characters

<start_pattern> "{#B{0|1} . . . |
#Q{0|1|2|3|4|5|6|7} . . . |
#H{0|1|2|3|4|5|6|7|8|9|A|B|C|D|E|F} . . . |
{0|1|2|3|4|5|6|7|8|9} . . . }"

<stop_pattern> "{#B{0|1} . . . |
#Q{0|1|2|3|4|5|6|7} . . . |
#H{0|1|2|3|4|5|6|7|8|9|A|B|C|D|E|F} . . . |
{0|1|2|3|4|5|6|7|8|9} . . . }"

Example

```
OUTPUT XXX;":MACHINE1:TTRIGGER:RANGE 'DATA', '127', '255' "  
OUTPUT XXX;":MACHINE1:TTRIGGER:RANGE 'ABC', '#B00001111',  
'#HCF' "
```

Query

```
:MACHine{1|2}:TTRigger:RANGe?
```

The RANGe query returns the range recognizer end point specifications for the range.

Returned Format

```
[ :MACHine{1|2}:STRace:RANGe] <label_name>,<start_pattern>,  
<stop_pattern><NL>
```

Example

```
OUTPUT XXX;":MACHINE1:TTRIGGER:RANGE?"
```

SEQuence

Command :MACHine{1|2}:TTRigger:SEQuence <number_of_levels>

The SEQuence command defines the timing analyzer trace sequence. First, it deletes the current trace sequence. Then, it inserts the number of levels specified, with default settings. The number of levels can be between 1 and 10 when the analyzer is armed by the RUN key.

<number_of_levels>
integer from 1 to 10

Example

OUTPUT XXX; ":MACHINE1:TTRIGGER:SEQUENCE 4"

Query :MACHine{1|2}:TTRigger:SEQuence?

The SEQuence query returns the current sequence specification.

Returned Format [:MACHine{1|2}:TTRigger:SEQuence] <number_of_levels>,
<level_of_trigger><NL>

Example

OUTPUT XXX; ":MACHINE1:TTRIGGER:SEQUENCE?"

SPERiod

Command `:MACHine{1|2}:TTRigger:SPERiod <sample_period>`

The SPERiod command allows you to set the sample period of the timing analyzer in the Conventional and Glitch modes. The sample period range depends on the mode selected and is as follows:

- 2 ns to 8 ms for Conventional Half Channel 500 MHz
- 4 ns to 8 ms for Conventional Full Channel 250 MHz
- 4 ns for Transitional Half Channel
- 8 ns for Transitional Full Channel
- 8 ns to 8 ms for Glitch Half Channel 125 MHz

<sample_period> real number from 2 ns to 8 ms depending on mode

Example

OUTPUT XXX;":MACHINE1:TTRIGGER:SPERIOD 50E-9"

Query `:MACHine{1|2}:TTRigger:SPERiod?`

The SPERiod query returns the current sample period.

Returned Format `[:MACHine{1|2}:TTRigger:SPERiod] <sample_period><NL>`

<sample_period> real number from 2 ns to 8 ms depending on mode

Example

OUTPUT XXX;":MACHINE1:TTRIGGER:SPERIOD?"

TCONtrol (Timer Control)

Command :MAChine{1|2}:TTRigger:TCONtrol<N> <timer_num>,
 {OFF|START|PAUSE|CONTINUE}

The TCONtrol command allows you to turn off, start, pause, or continue the timer for the specified level. The time value of the timer is defined by the TIMER command.

<N> integer from 1 to the number of existing sequence levels (maximum 10)

<timer_num> {1|2}

Example

OUTPUT XXX;":MACHINE2:TTRIGGER:TCONTROL6 1, PAUSE"

Query

:MAChine{1|2}:TTRigger:TCONTROL<N>? <timer_num>

The TCONtrol query returns the current TCONtrol setting of the specified level.

Returned Format

[:MAChine{1|2}:TTRigger:TCONTROL<N> <timer_num>]
 {OFF|START|PAUSE|CONTINUE}<NL>

Example

OUTPUT XXX;":MACHINE2:TTRIGGER:TCONTROL6? 1"

TERM

Command :MACHine{1|2}:TTRigger:TERM
<term_id>, <label_name>, <pattern>

The TERM command allows you to specify a pattern recognizer term in the specified machine. Each command deals with only one label in the given term; therefore, a complete specification could require several commands. Since a label can contain 32 or fewer bits, the range of the pattern value will be between $2^{32} - 1$ and 0. When the value of a pattern is expressed in binary, it represents the bit values for the label inside the pattern recognizer term. Since the pattern parameter may contain don't cares and be represented in several bases, it is handled as a string of characters rather than a number.

All 10 terms (A through J) are available to either machine but not both simultaneously. If you send the TERM command to a machine with a term that has not been assigned to that machine, an error message "Legal command but settings conflict" is returned.

<term_id> {A|B|C|D|E|F|G|H|I|J}
<label_name> string of up to 6 alphanumeric characters
<pattern> "#B{0|1|X} . . . |
#Q{0|1|2|3|4|5|6|7|X} . . . |
#H{0|1|2|3|4|5|6|7|8|9|A|B|C|D|E|F|X} . . . |
{0|1|2|3|4|5|6|7|8|9} . . . }"

Example

OUTPUT XXX;":MACHINE1:TTRIGGER:TERM A,'DATA','255' "
OUTPUT XXX;":MACHINE1:TTRIGGER:TERM B,'ABC','#BXXXX1101' "

Query :MACHine{1|2}:TTRigger:TERM?
 <term_id>,<label_name>

The TERM query returns the specification of the term specified by term identification and label name.

Returned Format [:MACHine{1|2}:STRace:TERM] <term_id>,<label_name>,<pattern><NL>

Example OUTPUT XXX;":MACHINE1:TTRIGGER:TERM? B,'DATA' "

TIMER

Command :MACHine{1|2}:TTRigger:TIMER{1|2} <time_value>

The TIMER command sets the time value for the specified timer. The limits of the timer are 400 ns to 500 seconds in 16 ns to 500 μ s increments. The increment value varies with the time value of the specified timer.

<time_value> real number from 400 ns to 500 seconds in increments which vary from 16 ns to 500 μ s.

Example OUTPUT XXX;":MACHINE1:TTRIGGER:TIMER1 100E-6"

Query :MACHine{1|2}:TTRigger:TIMER{1|2}?

The TIMER query returns the current time value for the specified timer.

Returned Format [:MACHine{1|2}:TTRigger:TIMER{1|2}] <time_value><NL>

Example OUTPUT XXX;":MACHINE1:TTRIGGER:TIMER1?"

TPOsition (Trigger Position)

Command `:MACHine{1|2}:TTRigger:TPOsition {START | CENTER
| END | DELay, <time_val> | POSTstore,<poststore>}`

The TPOsition command allows you to set the trigger at the start, center, end or at any position in the trace (poststore). Poststore is defined as 0 to 100 percent with a poststore of 100 percent being the same as start position and a poststore of 0 percent being the same as an end trace.

`<time_val>` real number from either ($2 \times$ sample period) or 16 ns, whichever is greater, to ($1048575 \times$ sample period).

`<poststore>` integer from 0 to 100 representing percentage of poststore.

Example

```
OUTPUT XXX;":MACHINE1:TTRIGGER:TPOSITION END"  
OUTPUT XXX;":MACHINE1:TTRIGGER:TPOSITION POSTstore,75"
```

Query `:MACHine{1|2}:TTRigger:TPOsition?`

The TPOsition query returns the current trigger position setting.

Returned Format `[:MACHine{1|2}:TTRigger:TPOsition] {START|CENTER|END|DELay,
<time_val>|POSTstore,<poststore>}<NL>`

Example

```
OUTPUT XXX;":MACHINE1:TTRIGGER:TPOSITION?"
```



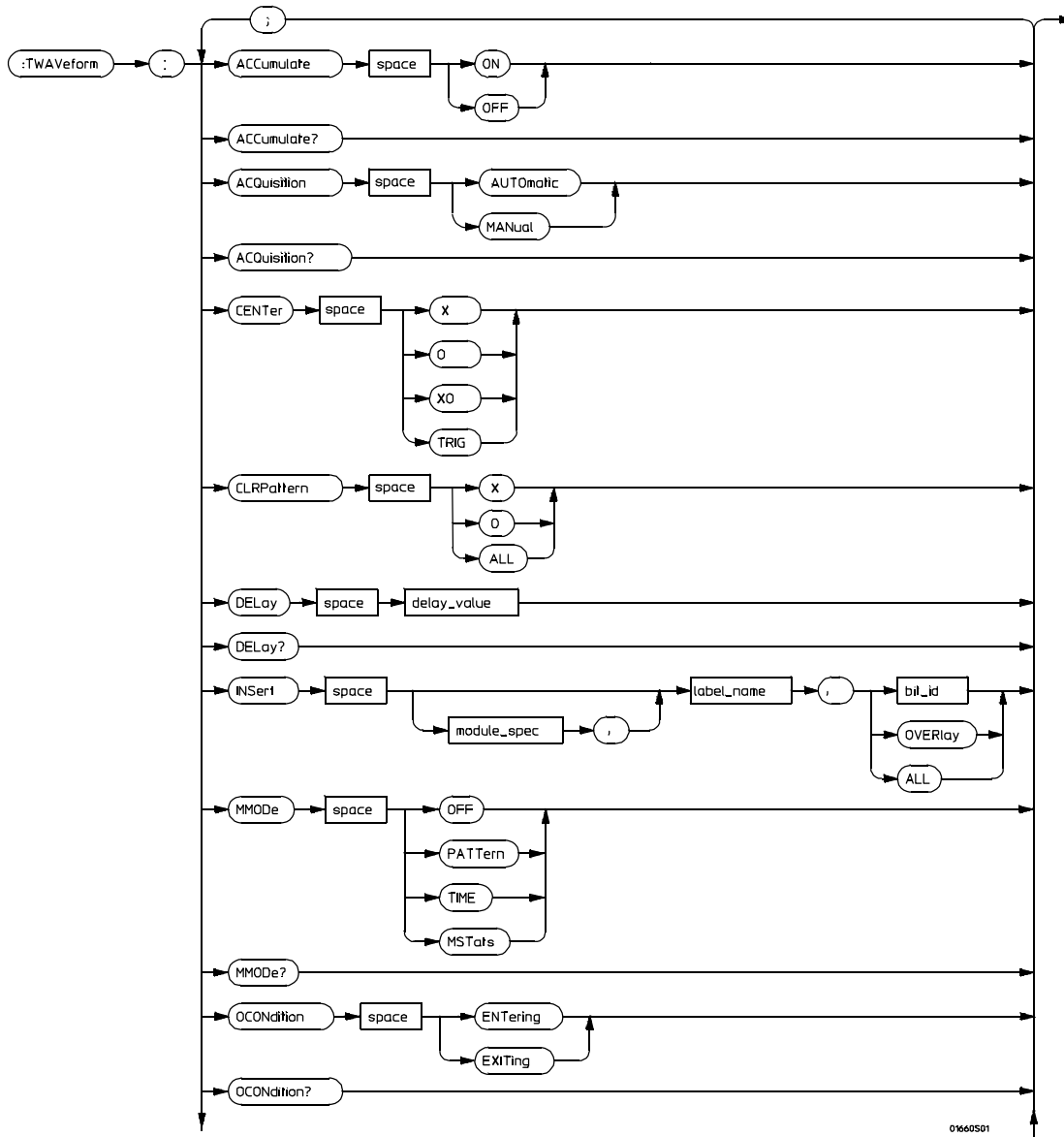
TWAVEform Subsystem

Introduction

The TWAVEform subsystem contains the commands available for the Timing Waveforms menu in the HP 1660E/ES/EP-series logic analyzer. These commands are:

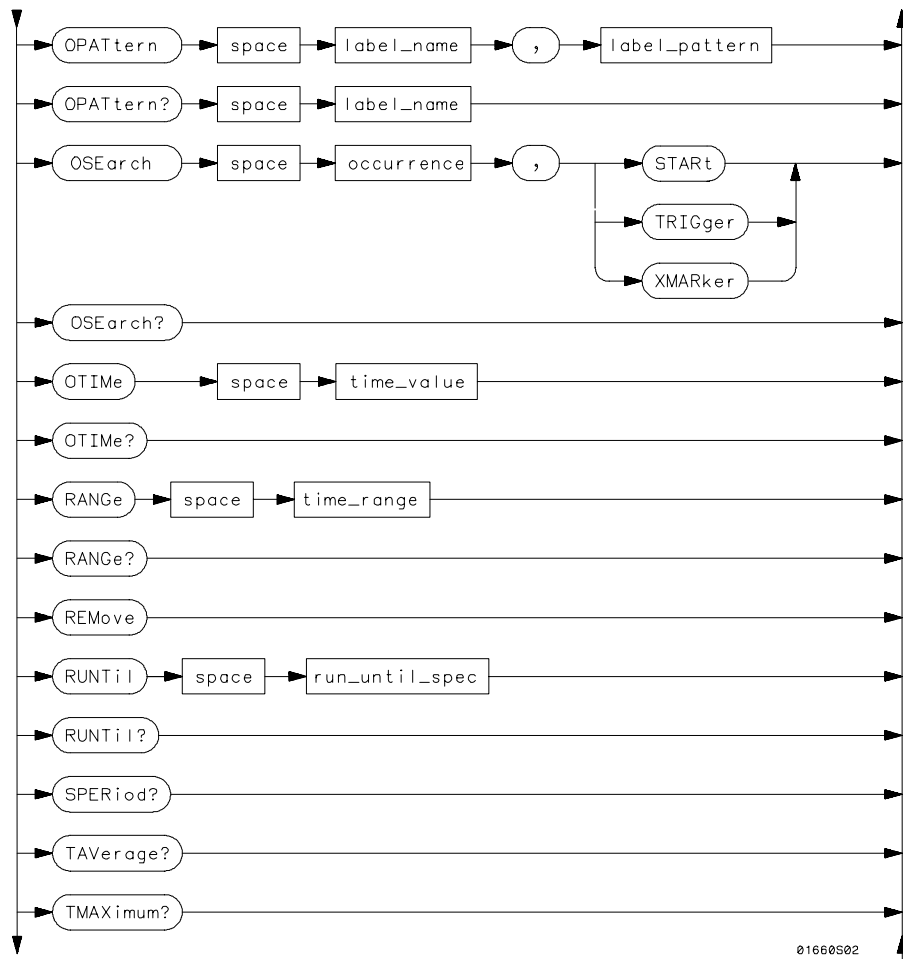
- ACCumulate
- ACQuisition
- CENter
- CLRPattern
- CLRStat
- DELay
- INSert
- MMODE
- OCONdition
- OPATtern
- OSEarch
- OTIME
- RANGe
- REMove
- RUNTil
- SPERiod
- TAVerage
- TMAXimum
- TMINimum
- TPOSition
- VRUNs
- XCONdition
- XOTime
- XPATtern
- XSEarch
- XTIME

Figure 23-1



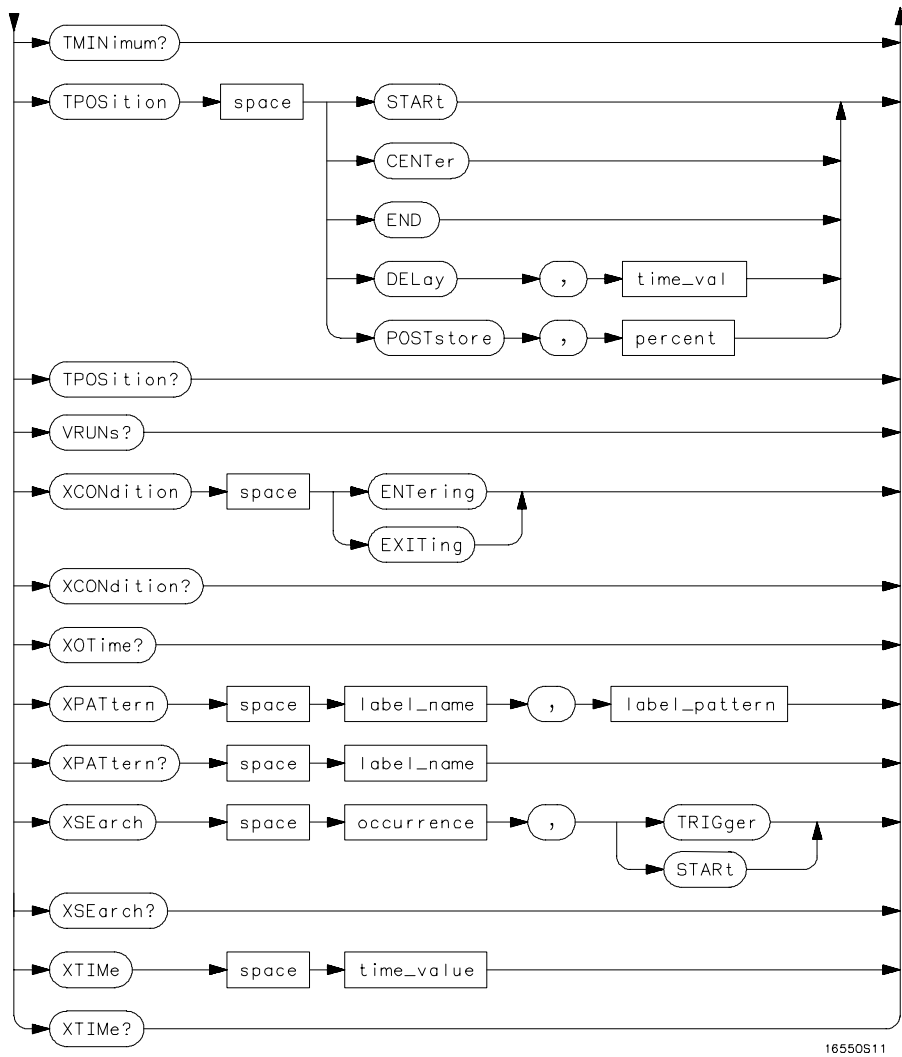
TWAVeform Subsystem Syntax Diagram

Figure 23-1 (continued)



TWAVEform Subsystem Syntax Diagram (continued)

Figure 23-1 (continued)



TWAVEform Subsystem Syntax Diagram (continued)

Table 23-1

TWAVEform Parameter Values

Parameter	Value
delay_value	real number between -2500 s and +2500 s
module_spec	{ 1 2 3 4 5 6 7 8 9 10 } 3 through 10 unused
bit_id	integer from 0 to 31
label_name	string of up to 6 alphanumeric characters
label_pattern	" {#B{ 0 1 X } . . . #Q{ 0 1 2 3 4 5 6 7 X } . . . #H{ 0 1 2 3 4 5 6 7 8 9 A C D E F X } . . . { 0 1 2 3 4 5 6 7 8 9 } . . . } "
occurrence	integer
time_value	real number
time_range	real number between 10 ns and 10 ks
run_until_spec	{ OFF LT , <value> GT , <value> INRange<value> , <value> OUTRange<value> , <value> }
GT	greater than
LT	less than
value	real number
time_val	real number from 0 to 500 representing seconds
percent	integer from 0 to 100

TWAVeform

Selector :MACHine{1|2}:TWAVeform

The TWAVeform selector is used as part of a compound header to access the settings found in the Timing Waveforms menu. It always follows the MACHine selector because it selects a branch below the MACHine level in the command tree.

Example

OUTPUT XXX; ":MACHINE1:TWAVEFORM:DELAY 100E-9"

ACCumulate

Command :MACHine{1|2}:TWAVeform:ACCumulate <setting>

The ACCumulate command allows you to control whether the chart display gets erased between each individual run or whether subsequent waveforms are displayed over the previous ones.

<setting> { {0|OFF} | {1|ON} }

Example

OUTPUT XXX; ":MACHINE1:TWAVEFORM:ACCUMULATE ON"

Query :MACHine{1|2}:TWAVeform:ACCumulate?

The ACCumulate query returns the current setting. The query always shows the setting as the characters, "0" (off) or "1" (on).

Returned Format [:MACHine{1|2}:TWAVeform:ACCumulate] {0|1}<NL>

Example

OUTPUT XXX; ":MACHINE1:TWAVEFORM:ACCUMULATE?"

ACQuisition

Command :MACHine{1|2}:TWAVEform:ACQuisition
{AUTOMatic|MANual}

The ACQuisition command allows you to specify the acquisition mode for the state analyzer. The acquisition modes are automatic and manual.

Example OUTPUT XXX;" :MACHINE2:TWAVEFORM:ACQUISITION AUTOMATIC"

Query MACHine{1|2}:TWAVEform:ACQuisition?

The ACQuisition query returns the current acquisition mode.

Returned Format [:MACHine{1|2}:TWAVEform:ACQuisition] {AUTOMatic|MANual}<NL>

Example OUTPUT XXX;" :MACHINE2:TWAVEFORM:ACQUISITION?"

CENTER

Command :MACHine{1|2}:Twaveform:CENTer <marker_type>

The CENTER command allows you to center the waveform display about the specified markers.

<marker_type> {X|O|XO|TRIGger}

Example OUTPUT XXX;" :MACHINE1:TWAVEFORM:CENTER X"

CLRPattern

Command :MACHine{1|2}:TWAVEform:CLRPattern {X|O|ALL}

The CLRPattern command allows you to clear the patterns in the selected Specify Patterns menu.

Example OUTPUT XXX; ":MACHINE1:TWAVEFORM:CLRPATTERN ALL"

CLRStat

Command :MACHine{1|2}:Twaveform:CLRStat

The CLRStat command allows you to clear the waveform statistics without having to stop and restart the acquisition.

Example OUTPUT XXX; ":MACHINE1:TWAVEFORM:CLRSTAT"

DELAy

Command :MACHine{1|2}:TWAVEform:DELAy <delay_value>

The DELAy command specifies the amount of time between the timing trigger and the center of the the timing waveform display. The allowable values for delay are -2500 s to +2500 s. If the acquisition mode is automatic, then in glitch acquisition mode, as delay becomes large in an absolute sense, the sample rate is adjusted so that data will be acquired in the time window of interest. In transitional acquisition mode, data may not fall in the time window since the sample period is fixed and the amount of time covered in memory is dependent on how frequently the input signal transitions occur.

<delay_value> real number between -2500 s and +2500 s

Example

OUTPUT XXX;":MACHINE1:TWAVEFORM:DELAY 100E-6"

Query

:MACHine{1|2}:TWAVEform:DELAY?

The DELAY query returns the current time offset (delay) value from the trigger.

Returned Format

[:MACHine{1|2}:TWAVEform:DELAY] <delay_value><NL>

Example

OUTPUT XXX;":MACHINE1:TWAVEFORM:DELAY?"

INSert

Command

:MACHine{1|2}:TWAVEform:INSert [<module_spec> ,]
<label_name>[, {<bit_id> | OVERlay | ALL}]

The INSert command allows you to add waveforms to the waveform display. Waveforms are added from top to bottom on the screen. When 96 waveforms are present, inserting additional waveforms replaces the last waveform. Bit numbers are zero-based, so a label with 8 bits is referenced as bits 0 to 7. Specifying OVERlay causes a composite waveform display of all bits or channels for the specified label. If you do not specify the third parameter, ALL is assumed.

<module_spec> {1|2} 3 through 10 unused.

<label_name> string of up to 6 alphanumeric characters

<bit_id> integer from 0 to 31

Example

OUTPUT XXX;":MACHINE1:TWAVEFORM:INSERT 1, 'WAVE',10"

MMODE (Marker Mode)

Command : MACHine{ 1 | 2 } : TWAVeform : MMODE
{ OFF | PATTern | TIME | MStats }

The MMODE command selects the mode controlling marker movement and the display of the marker readouts. When PATTern is selected, the markers will be placed on patterns. When TIME is selected, the markers move based on time. In MStats, the markers are placed on patterns, but the readouts will be time statistics.

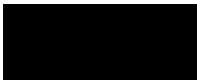
Example OUTPUT XXX; " : MACHINE1 : TWAVEFORM : MMODE TIME "

Query : MACHine{ 1 | 2 } : TWAVeform : MMODE?

The MMODE query returns the current marker mode.

Returned Format [: MACHine{ 1 | 2 } : TWAVeform : MMODE] <marker_mode> <NL>
<marker_mode> { OFF | PATTern | TIME | MStats }

Example OUTPUT XXX; " : MACHINE1 : TWAVEFORM : MMODE? "



OCONdition

Command :MAChine{1|2}:TWAVEform:OCONdition
 {ENTerInG|EXITInG}

The OCONdition command specifies where the O marker is placed. The O marker can be placed on the entry or exit point of the OPATtern when in the PATtern marker mode.

Example OUTPUT XXX; ":MACHINE1:TWAVEFORM:OCONDITION ENTERING"

Query :MAChine{1|2}:TWAVEform:OCONdition?

The OCONdition query returns the current setting.

Returned Format [:MAChine{1|2}:TWAVEform:OCONdition] {ENTerInG|EXITInG}<NL>

Example OUTPUT XXX; ":MACHINE1:TWAVEFORM:OCONDITION?"

OPATtern

Command :MACHine{1|2}:TWAVEform:OPATtern
 <label_name>, <label_pattern>

The OPATtern command allows you to construct a pattern recognizer term for the O marker which is then used with the OSEarch criteria and OCONdition when moving the marker on patterns. Since this command deals with only one label at a time, a complete specification could require several invocations.

When the value of a pattern is expressed in binary, it represents the bit values for the label inside the pattern recognizer term. In whatever base is used, the value must be between 0 and $2^{32} - 1$, since a label may not have more than 32 bits. Because the <label_pattern> parameter may contain don't cares, it is handled as a string of characters rather than a number.

<label_name> string of up to 6 alphanumeric characters

<label_pattern> "#{#B{0|1|X} . . . |
 #Q{0|1|2|3|4|5|6|7|X} . . . |
 #H{0|1|2|3|4|5|6|7|8|9|A|B|C|D|E|F|X} . . . |
 {0|1|2|3|4|5|6|7|8|9} . . . }"

Example

OUTPUT XXX; ":MACHINE1:TWAVEFORM:OPATTERN 'A', '511' "

Query :MACHine{1|2}:TWAVEform:OPATtern? <label_name>

The OPATtern query, in pattern marker mode, returns the pattern specification for a given label name. In the time marker mode, the query returns the pattern under the O marker for a given label. If the O marker is not placed on valid data, don't cares (X) are returned.

Returned Format [:MACHine{1|2}:TWAVEform:OPATtern] <label_name>,
 <label_pattern><NL>

Example

OUTPUT XXX; ":MACHINE1:TWAVEFORM:OPATTERN? 'A' "

OSEarch

Command :MACHine{1|2}:TWAVEform:OSEarch
<occurrence>, <origin>

The OSEarch command defines the search criteria for the O marker which is then used with the associated OPATtern recognizer specification and the OCONdition when moving markers on patterns. The origin parameter tells the marker to begin a search from the acquisition beginning, from the trigger, or from the X marker. The actual occurrence the marker searches for is determined by the occurrence parameter of the OPATtern recognizer specification, relative to the origin. An occurrence of 0 places a marker on the selected origin. With a negative occurrence, the marker searches before the origin. With a positive occurrence, the marker searches after the origin.

<origin> {START|TRIGger|XMARKer}

<occurrence> integer from -8192 to +8192

Example OUTPUT XXX; ":MACHINE1:TWAVEFORM:OSEARCH +10,TRIGGER"

Query :MACHine{1|2}:TWAVEform:OSEarch?

The OSEarch query returns the search criteria for the O marker.

Returned Format [:MACHine{1|2}:TWAVEform:OSEarch] <occurrence>, <origin><NL>

Example OUTPUT XXX; ":MACHINE1:TWAVEFORM:OSEARCH?"

OTIME

Command :MACHine{1|2}:TWAVeform:OTIME <time_value>

The OTIME command positions the O marker in time when the marker mode is TIME. If data is not valid, the command performs no action.

<time_value> real number -2.5 ks to +2.5 ks

Example

OUTPUT XXX; " :MACHINE1:TWAVEFORM:OTIME 30.0E-6 "

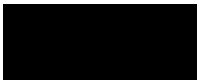
Query :MACHine{1|2}:TWAVeform:OTIME?

The OTIME query returns the O marker position in time. If data is not valid, the query returns 9.9E37.

Returned Format [:MACHine{1|2}:TWAVeform:OTIME] <time_value><NL>

Example

OUTPUT XXX; " :MACHINE1:TWAVEFORM:OTIME? "



RANGe

Command :MAChine{1|2}:TWAVeform:RANGe <time_value>

The RANGe command specifies the full-screen time in the timing waveform menu. It is equivalent to ten times the seconds-per-division setting on the display. The allowable values for RANGe are from 10 ns to 10 ks.

<time_value> real number between 10 ns and 10 ks

Example

OUTPUT XXX;":MACHINE1:TWAVEFORM:RANGE 100E-9"

Query :MAChine{1|2}:TWAVeform:RANGe?

The RANGe query returns the current full-screen time.

Returned Format [:MAChine{1|2}:TWAVeform:RANGe] <time_value><NL>

Example

OUTPUT XXX;":MACHINE1:TWAVEFORM:RANGE?"

REMOve

Command :MAChine{1|2}:TWAVeform:REMOve

The REMOve command deletes all waveforms from the display.

Example

OUTPUT XXX;":MACHINE1:TWAVEFORM:REMOVE"

RUNTil (Run Until)

Command `:MACHine{1|2}:TWAVEform:RUNTil <run_until_spec>`

The RUNTil command defines stop criteria based on the time between the X and O markers when the trace mode is in repetitive. When OFF is selected, the analyzer will run until either STOP is selected from the front panel or the STOP command is sent. Run until X and O marker options are:

- Less Than (LT) a specified time value
- Greater Than (GT) a specified time value
- In Range (INRange) between two time values
- Out of Range (OUTRange) between two time values

End points for INRange and OUTRange should be at least 2 ns apart since this is the minimum time at which data is sampled.

This command affects the timing analyzer only, and has no relation to the RUNTil commands in the SLISt and COMPare subsystems.

```
<run_until_  {OFF | LT,<value> | GT,<value> |
spec>        INRange,<value>,<value> | OUTRange,<value>,<value>}
<value>     real number
```

Example

```
OUTPUT XXX;":MACHINE1:TWAVEFORM:RUNTIL GT, 800.0E-6"
OUTPUT XXX;":MACHINE1:TWAVEFORM:RUNTIL INRANGE, 4.5, 5.5"
```

Query `:MACHine{1|2}:TWAVEform:RUNTil?`

The RUNTil query returns the current stop criteria.

Returned Format `[:MACHine{1|2}:TWAVEform:RUNTil] <run_until_spec><NL>`

Example

```
OUTPUT XXX;":MACHINE1:TWAVEFORM:RUNTIL?"
```

SPERiod

Command `:MACHine{1|2}:TWAVeform:SPERiod <sample_period>`

The SPERiod command allows you to set the sample period of the timing analyzer in the Conventional and Glitch modes. The sample period range depends on the mode selected and is as follows:

- 2 ns to 8 ms for Conventional Half Channel 500 MHz
- 4 ns to 8 ms for Conventional Full Channel 250 MHz
- 8 ns to 8 ms for Glitch Half Channel 125 MHz

<sample_period> real number from 2 ns to 8 ms depending on mode

Example

OUTPUT XXX; ":MACHINE1:TWAVEFORM:SPERIOD 50E-9"

Query `:MACHine{1|2}:TWAVeform:SPERiod?`

The SPERiod query returns the current sample period.

Returned Format `[:MACHine{1|2}:TWAVeform:SPERiod] <sample_period><NL>`

Example

OUTPUT XXX; ":MACHINE1:TWAVEFORM:SPERIOD?"

TAVerage

Query :MACHine{1|2}:TWAVEform:TAVerage?

The TAVerage query returns the value of the average time between the X and O markers. If there is no valid data, the query returns 9.9E37.

Returned Format [:MACHine{1|2}:TWAVEform:TAVerage] <time_value><NL>
 <time_value> real number

Example OUTPUT XXX; ":MACHINE1:TWAVEFORM:TAVERAGE?"

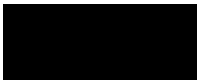
TMAXimum

Query :MACHine{1|2}:TWAVEform:TMAXimum?

The TMAXimum query returns the value of the maximum time between the X and O markers. If there is no valid data, the query returns 9.9E37.

Returned Format [:MACHine{1|2}:TWAVEform:TMAXimum] <time_value><NL>
 <time_value> real number

Example OUTPUT XXX; ":MACHINE1:TWAVEFORM:TMAXIMUM?"



TMINimum	
Query	:MACHine{1 2}:TWAVEform:TMINimum?
	The TMINimum query returns the value of the minimum time between the X and O markers. If there is no valid data, the query returns 9.9E37.
Returned Format	[:MACHine{1 2}:TWAVEform:TMINimum] <time_value><NL>
<time_value>	real number
Example	OUTPUT XXX; " :MACHINE1:TWAVEFORM:TMINIMUM? "

TPOSITION	
Command	:MACHine{1 2}:TWAVEform:TPOSITION {START CENTER END DELay,<time_val> POSTstore,<percent>}
	The TPOSITION command allows you to control where the trigger point is placed in memory. The trigger point can be placed at the start, center, end, at a percentage of poststore, or at a value specified by delay. The poststore option is the same as the User Defined option when setting the trigger position from the front panel.
	The TPOSITION command is only available when the acquisition mode is set to manual.
<time_val>	real number from 0 to 500 seconds
<percent>	integer from 1 to 100
Example	OUTPUT XXX; " :MACHINE2:TWAVEFORM:TPOSITION CENTER "

Query :MACHine{1|2}:TWAVEform:TPOStion?

Returned Format The TPOStion query returns the current trigger setting.
 [:MACHine{1|2}:TWAVEform:TPOStion] {START | CENTer | END | DELay, <time_val> | POSTstore,<percent>}<NL>

Example OUTPUT XXX; ":MACHINE2:TWAVEFORM:TPOStion?"

VRUNS

Query :MACHine{1|2}:TWAVEform:VRUNS?

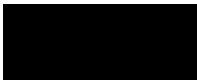
The VRUNS query returns the number of valid runs and total number of runs made. Valid runs are those where the pattern search for both the X and O markers was successful resulting in valid delta time measurements.

Returned Format [:MACHine{1|2}:TWAVEform:VRUNS] <valid_runs>,<total_runs><NL>

<valid_runs> zero or positive integer

<total_runs> zero or positive integer

Example OUTPUT XXX; ":MACHINE1:TWAVEFORM:VRUNS?"



XCONdition

Command :MACHine{1|2}:TWAVEform:XCONdition
{ENTering|EXITing}

The XCONdition command specifies where the X marker is placed. The X marker can be placed on the entry or exit point of the XPATtern when in the PATTern marker mode.

Example OUTPUT XXX; ":MACHINE1:TWAVEFORM:XCONDITION ENTERING"

Query :MACHine{1|2}:TWAVEform:XCONdition?

The XCONdition query returns the current setting.

Returned Format [:MACHine{1|2}:TWAVEform:XCONdition] {ENTering|EXITing}<NL>

Example OUTPUT XXX; ":MACHINE1:TWAVEFORM:XCONDITION?"

XOTime

Query :MACHine{1|2}:TWAVEform:XOTime?

The XOTime query returns the time from the X marker to the O marker. If data is not valid, the query returns 9.9E37.

Returned Format [:MACHine{1|2}:TWAVEform:XOTime] <time_value><NL>
<time_value> real number

Example OUTPUT XXX; ":MACHINE1:TWAVEFORM:XOTIME?"

XPATtern

Command :MACHine{1|2}:TWAVEform:XPATtern <label_name> ,
 <label_pattern>

The XPATtern command allows you to construct a pattern recognizer term for the X marker which is then used with the XSEarch criteria and XCONdition when moving the marker on patterns. Since this command deals with only one label at a time, a complete specification could require several iterations.

When the value of a pattern is expressed in binary, it represents the bit values for the label inside the pattern recognizer term. In whatever base is used, the value must be between 0 and $2^{32} - 1$, since a label may not have more than 32 bits. Because the <label_pattern> parameter may contain don't cares, it is handled as a string of characters rather than a number.

<label_name> string of up to 6 alphanumeric characters

<label_pattern> "{#B{0|1|X} . . . |
 #Q{0|1|2|3|4|5|6|7|X} . . . |
 #H{0|1|2|3|4|5|6|7|8|9|A|B|C|D|E|F|X} . . . |
 {0|1|2|3|4|5|6|7|8|9} . . . }"

Example

OUTPUT XXX; ":MACHINE1:TWAVEFORM:XPATTERN 'A','511' "

Query :MACHine{1|2}:TWAVEform:XPATtern? <label_name>

The XPATtern query, in pattern marker mode, returns the pattern specification for a given label name. In the time marker mode, the query returns the pattern under the X marker for a given label. If the X marker is not placed on valid data, don't cares (X) are returned.

Returned Format [:MACHine{1|2}:TWAVEform:XPATtern] <label_name> ,
 <label_pattern><NL>

Example

OUTPUT XXX; ":MACHINE1:TWAVEFORM:XPATTERN? 'A' "

XSEarch

Command :MAChine{1|2}:TWAVEform:XSEarch
 <occurrence>, <origin>

The XSEarch command defines the search criteria for the X marker which is then used with the associated XPATtern recognizer specification and the XCONdition when moving markers on patterns. The origin parameter tells the marker to begin a search with the trigger. The occurrence parameter determines which occurrence of the XPATtern recognizer specification, relative to the origin, the marker actually searches for. An occurrence of 0 (zero) places a marker on the origin.

 <origin> {TRIGger|START}

 <occurrence> integer from -8192 to +8192

Example OUTPUT XXX; ":MACHINE1:TWAVEFORM:XSEARCH,+10,TRIGGER"

Query :MAChine{1|2}:TWAVEform:XSEarch?
 <occurrence>, <origin>

Returned Format The XSEarch query returns the search criteria for the X marker.
 [:MAChine{1|2}:TWAVEform:XSEarch] <occurrence>, <origin><NL>

Example OUTPUT XXX; ":MACHINE1:TWAVEFORM:XSEARCH?"

XTIME

Command :MACHine{1|2}:TWAVeform:XTIME <time_value>

The XTIME command positions the X marker in time when the marker mode is TIME. If data is not valid, the command performs no action.

<time_value> real number from -2.5 ks to +2.5 ks

Example

OUTPUT XXX; " :MACHINE1:TWAVEFORM:XTIME 40.0E-6 "

Query :MACHine{1|2}:TWAVeform:XTIME?

The XTIME query returns the X marker position in time. If data is not valid, the query returns 9.9E37.

Returned Format [:MACHine{1|2}:TWAVeform:XTIME] <time_value><NL>

Example

OUTPUT XXX; " :MACHINE1:TWAVEFORM:XTIME? "





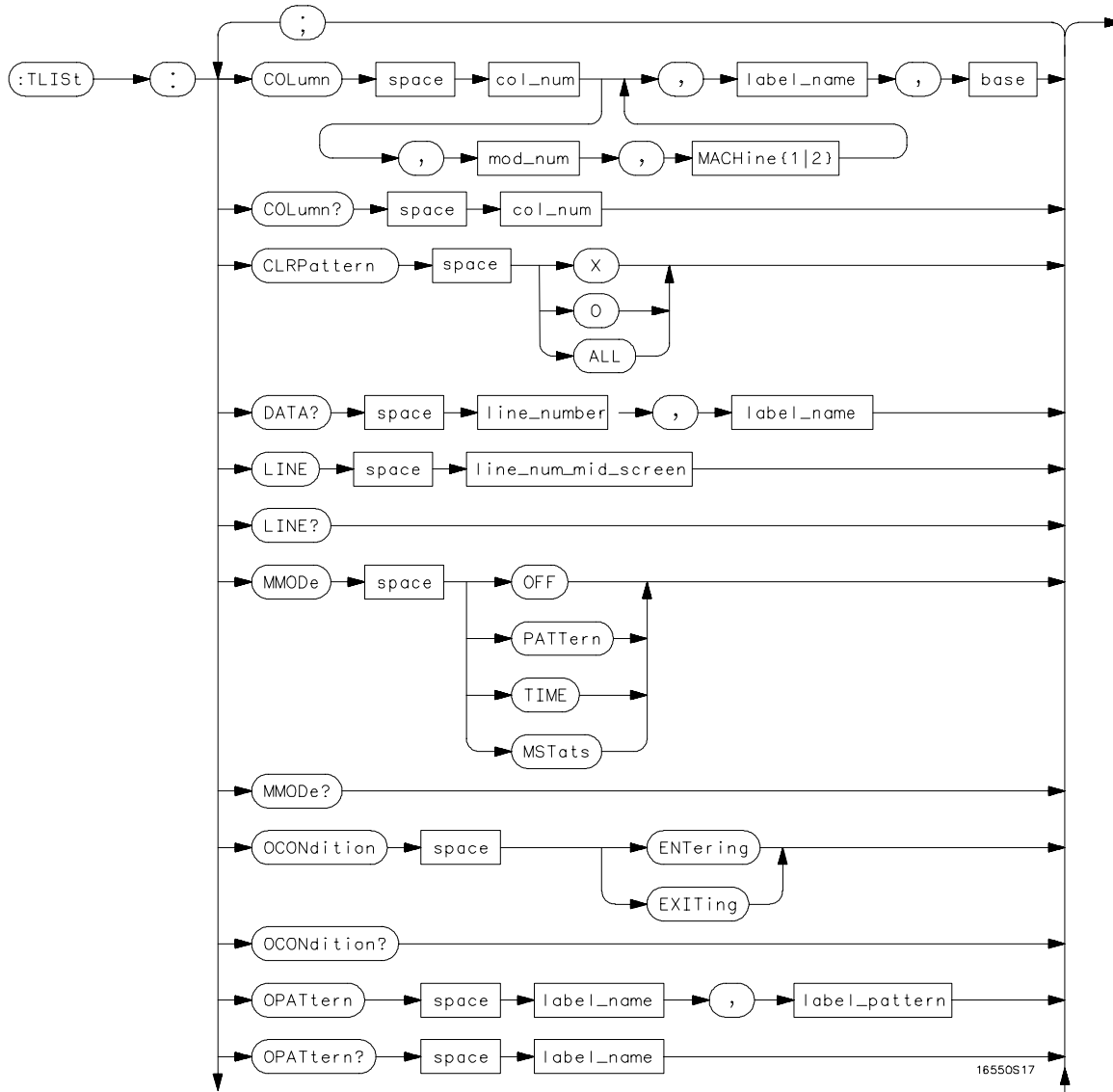
TLISSt Subsystem

Introduction

The TLISt subsystem contains the commands available for the Timing Listing menu in the HP 1660E/ES/EP-series logic analyzers and is the same as the SLISt subsystem with the exception of the OCONdition and XCONdition commands. The TLISt subsystem commands are:

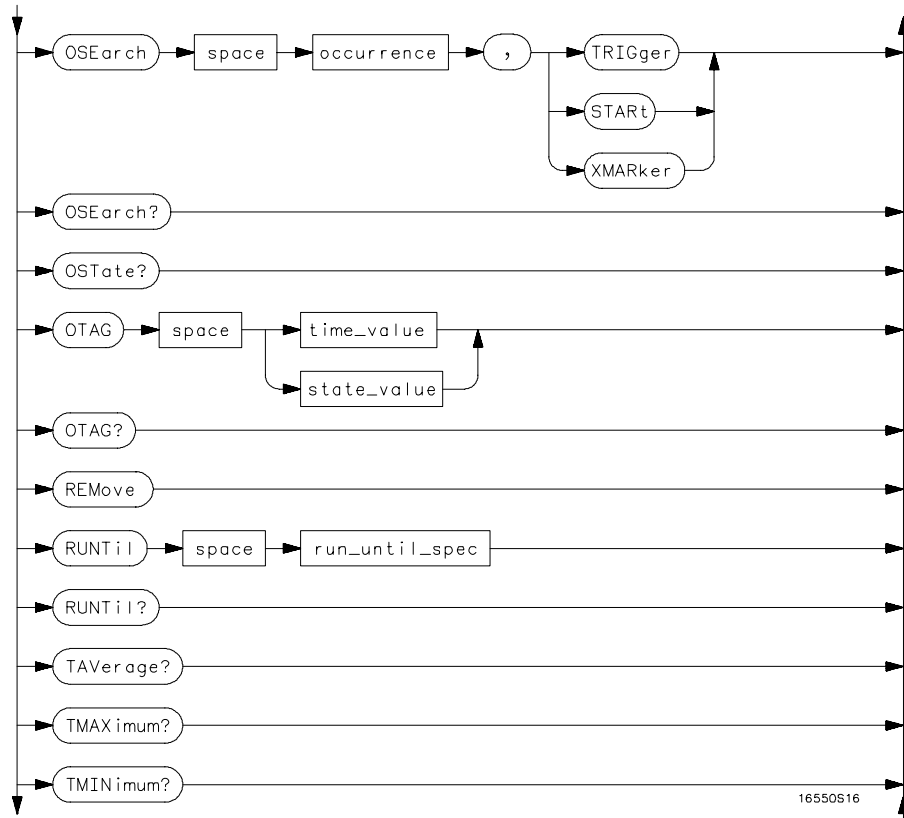
- COLumn
- CLRPattern
- DATA
- LINE
- MMODE
- OCONdition
- OPATtern
- OSEarch
- OSTate
- OTAG
- REMove
- RUNTil
- TAVerage
- TMAXimum
- TMINimum
- VRUNs
- XCONdition
- XOTag
- XOTime
- XPATtern
- XSEarch
- XSTate
- XTAG

Figure 24-1



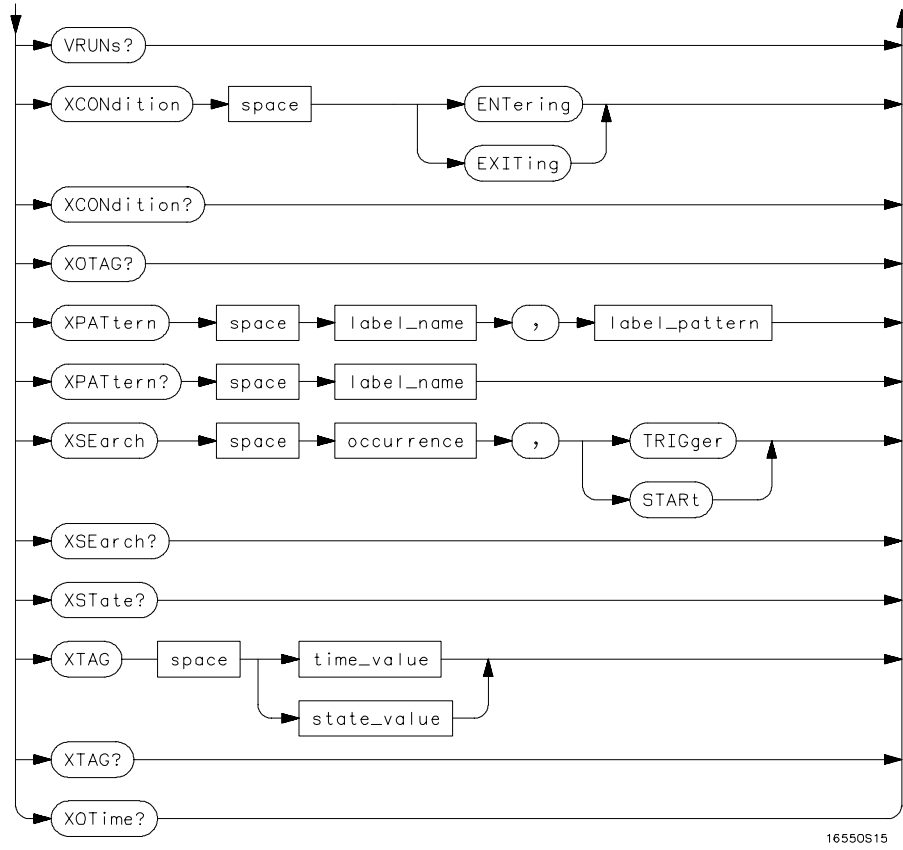
TLISt Subsystem Syntax Diagram

Figure 24-1 (continued)



TLISt Subsystem Syntax Diagram (continued)

Figure 24-1 (continued)



TLISt Subsystem Syntax Diagram (continued)

Table 24-1

TLISt Parameter Values

Parameter	Values
mod_num	{1 2 3 4 5 6 7 8 9 10} 3 through 10 not used
col_num	integer from 1 to 61
line_number	integer from -8191 to +8191
label_name	string of up to 6 alphanumeric characters
base	{BINary HEXadecimal OCTal DECimal TWOS ASCIi SYMBOL IASSEMBler} for labels or {ABSolute RELative} for tags
line_num_mid_screen	integer from -8191 to +8191
label_pattern	"{#B{0 1 X} . . . #Q{0 1 2 3 4 5 6 7 X} . . . #H{0 1 2 3 4 5 6 7 8 9 A B C D E F X} . . . {0 1 2 3 4 5 6 7 8 9} . . . }"
occurrence	integer from -8191 to +8191
time_value	real number
state_value	real number
run_until_spec	{OFF LT,<value> GT,<value> INRange,<value>, <value> OUTRange,<value>,<value>}
value	real number

TLISt

Selector :MACHine{1|2}:TLISt

The TLISt selector is used as part of a compound header to access those settings normally found in the Timing Listing menu. It always follows the MACHine selector because it selects a branch directly below the MACHine level in the command tree.

Example

OUTPUT XXX; ":MACHINE1:TLIST:LINE 256"

COLumn

Command :MACHine{1|2}:TLISt:COLumn <col_num>
 [,<module_num>,MACHine{1|2}],<label_name>,<base>

The COLumn command allows you to configure the timing analyzer list display by assigning a label name and base to one of the 61 vertical columns in the menu. A column number of 1 refers to the leftmost column. When a label is assigned to a column it replaces the original label in that column.

When the label name is "TAGS," the TAGS column is assumed and the next parameter must specify RELative or ABSolute.

A label for tags must be assigned in order to use ABSolute or RELative state tagging.

- <col_num> integer from 1 to 61
- <module_num> {1|2|3|4|5|6|7|8|9|10} 2 to 10 unused.
- <label_name> a string of up to 6 alphanumeric characters

<base> {BINary | HEXadecimal | OCTal | DECimal | TWOS | ASCii
| SYMBol | IASSEMBler} for labels
or {ABSolute | RELative} for tags

Example

OUTPUT XXX;" :MACHINE1:TLIST:COLUMN 4,1,'A',HEX"

Query

:MACHINE{1|2}:TLIST:COLUMN? <col_num>

The COLUMN query returns the column number, instrument, machine, label name, and base for the specified column.

Returned Format

[:MACHINE{1|2}:TLIST:COLUMN] <col_num>, <module_num>
,MACHINE{1|2}, <label_name>, <base><NL>

Example

OUTPUT XXX;" :MACHINE1:TLIST:COLUMN? 4"

CLRPattern

Command

:MACHINE{1|2}:TLIST:CLRPattern {X|O|ALL}

The CLRPattern command allows you to clear the patterns in the selected Specify Patterns menu.

Example

OUTPUT XXX;" :MACHINE1:TLIST:CLRPATTERN O"

DATA

Query :MACHine{1|2}:TLISt:DATA? <line_number>,
<label_name>

The DATA query returns the value at a specified line number for a given label. The format will be the same as the one shown in the Listing display.

Returned Format [:MACHine{1|2}:TLISt:DATA] <line_number>,<label_name>,
<pattern_string><NL>

<line_number> integer from -8191 to +8191

<label_name> string of up to 6 alphanumeric characters

<pattern_string> "{#B{0|1|X} . . . |
#Q{0|1|2|3|4|5|6|7|X} . . . |
#H{0|1|2|3|4|5|6|7|8|9|A|B|C|D|E|F|X} . . . |
{0|1|2|3|4|5|6|7|8|9} . . . }"

Example OUTPUT XXX;":MACHINE1:TLISt:DATA? 512, 'RAS'"

LINE

Command :MACHine{1|2}:TLISt:LINE <line_num_mid_screen>

The LINE command allows you to scroll the timing analyzer listing vertically. The command specifies the state line number relative to the trigger that the analyzer highlights at the center of the screen.

<line_num_mid_screen> integer from -8191 to +8191

Example OUTPUT XXX;":MACHINE1:TLISt:LINE 0"

Query :MAChine{1|2}:TLISt:LINE?

The LINE query returns the line number for the state currently in the box at the center of the screen.

Returned Format [:MAChine{1|2}:TLISt:LINE] <line_num_mid_screen><NL>

Example OUTPUT XXX;":MACHINE1:TLIST:LINE?"

MMODE (Marker Mode)

Command :MAChine{1|2}:TLISt:MMODE <marker_mode>

The MMODE command selects the mode controlling the marker movement and the display of marker readouts. When PATTERN is selected, the markers will be placed on patterns. When TIME is selected, the markers move on time between stored states. When MSTATs is selected, the markers are placed on patterns, but the readouts will be time statistics.

<marker_mode> {OFF|PATTERN|TIME|MSTATs}

Example OUTPUT XXX;":MACHINE1:TLIST:MMODE TIME"

Query :MAChine{1|2}:TLISt:MMODE?

The MMODE query returns the current marker mode selected.

Returned Format [:MAChine{1|2}:TLISt:MMODE] <marker_mode><NL>

Example OUTPUT XXX;":MACHINE1:TLIST:MMODE?"

OCONdition

Command :MAChine{1|2}:TLISt:OCONdition {ENTERing|EXITing}

The OCONdition command specifies where the O marker is placed. The O marker can be placed on the entry or exit point of the OPATtern when in the PATtern marker mode.

Example OUTPUT XXX; ":MACHINE1:TLIST:OCONDITION ENTERING"

Query :MAChine{1|2}:TLISt:OCONdition?

The OCONdition query returns the current setting.

Returned Format [:MAChine{1|2}:TLISt:OCONdition] {ENTERing|EXITing}<NL>

Example OUTPUT XXX; ":MACHINE1:TLIST:OCONDITION?"

OPATtern

Command :MAChine{1|2}:TLISt:OPATtern
<label_name>, <label_pattern>

The OPATtern command allows you to construct a pattern recognizer term for the O Marker which is then used with the OSEarch criteria when moving the marker on patterns. Since this command deals with only one label at a time, a complete specification could require several iterations.

When the value of a pattern is expressed in binary, it represents the bit values for the label inside the pattern recognizer term. In whatever base is used, the value must be between 0 and $2^{32} - 1$, since a label may not have more than 32 bits. Because the <label_pattern> parameter may contain don't cares, it is handled as a string of characters rather than a number.

<label_name> string of up to 6 alphanumeric characters

<label_ pattern> "#B{0|1|X} . . . |
 #Q{0|1|2|3|4|5|6|7|X} . . . |
 #H{0|1|2|3|4|5|6|7|8|9|A|B|C|D|E|F|X} . . . |
 {0|1|2|3|4|5|6|7|8|9} . . . }"

Example

OUTPUT XXX;" :MACHINE1:TLIST:OPATTERN 'DATA', '255' "
 OUTPUT XXX;" :MACHINE1:TLIST:OPATTERN 'ABC', '#BXXXX1101' "

Query

:MACHINE{1|2}:TLIST:OPATtern? <label_name>

Returned Format

The OPATtern query returns the pattern specification for a given label name.
 [:MACHINE{1|2}:TLIST:OPATtern]
 <label_name>, <label_pattern><NL>

Example

OUTPUT XXX;" :MACHINE1:TLIST:OPATTERN? 'A' "

OSEarch

Command

:MACHINE{1|2}:TLIST:OSEarch <occurrence>, <origin>

The OSEarch command defines the search criteria for the O marker, which is then used with associated OPATtern recognizer specification when moving the markers on patterns. The origin parameter tells the marker to begin a search with the trigger, the start of data, or with the X marker. The actual occurrence the marker searches for is determined by the occurrence parameter of the OSEarch recognizer specification, relative to the origin. An occurrence of 0 places the marker on the selected origin. With a negative occurrence, the marker searches before the origin. With a positive occurrence, the marker searches after the origin.

<occurrence> integer from -8191 to +8191

<origin> {TRIGger | START | XMARKer}

Example OUTPUT XXX; ":MACHINE1:TLIST:OSEARCH +10,TRIGGER"

Query :MACHine{1|2}:TLISt:OSEarch?

Returned Format The OSEarch query returns the search criteria for the O marker.
 [:MACHine{1|2}:TLISt:OSEarch] <occurrence>,<origin><NL>

Example OUTPUT XXX; ":MACHINE1:TLIST:OSEARCH?"

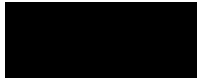
OSTate

Query :MACHine{1|2}:TLISt:OSTate?

Returned Format The OSTate query returns the line number in the listing where the O marker
 resides (-8191 to +8191). If data is not valid, the query returns 32767.
 [:MACHine{1|2}:TLISt:OSTate] <state_num><NL>

<state_num> an integer from -8191 to +8191, or 32767

Example OUTPUT XXX; ":MACHINE1:TLIST:OSTATE?"



OTAG

Command :MACHine{1|2}:TLISt:OTAG <time_value>

The OTAG command specifies the time value on which the O Marker should be placed. If the data is not valid tagged data, no action is performed.

<time_value> real number

Example :OUTPUT XXX;" :MACHINE1:TLIST:OTAG 40.0E-6"

Query :MACHine{1|2}:TLISt:OTAG?

The OTAG query returns the O Marker position in time regardless of whether the marker was positioned in time or through a pattern search. If data is not valid, the query returns 9.9E37 for time tagging, or returns 32767 for state tagging.

Returned Format [:MACHine{1|2}:TLISt:OTAG] <time_value><NL>

Example OUTPUT XXX;" :MACHINE1:TLIST:OTAG?"

REMOve

Command :MACHine{1|2}:TLISt:REMOve

The REMove command removes all labels, except the leftmost label, from the listing menu.

Example OUTPUT XXX;" :MACHINE1:TLIST:REMOVE"

RUNTil (Run Until)

Command `:MACHine{1|2}:TLISt:RUNTil <run_until_spec>`

The RUNTil command allows you to define a stop condition when the trace mode is repetitive. Specifying OFF causes the analyzer to make runs until either STOP is selected from the front panel or until the STOP command is issued.

There are four conditions based on the time between the X and O markers:

- The difference is less than (LT) some value.
- The difference is greater than (GT) some value.
- The difference is inside some range (INRange).
- The difference is outside some range (OUTRange).

End points for the INRange and OUTRange should be at least 8 ns apart since this is the minimum time resolution of the time tag counter.

`<run_until_spec>` {OFF | LT, <value> | GT, <value> | INRange, <value>, <value> | OUTRange, <value>, <value>}

`<value>` real number from -9E9 to +9E9

Example

OUTPUT XXX; ":MACHINE1:TLIST:RUNTIL GT,800.0E-6"

Query `:MACHine{1|2}:TLISt:RUNTil?`

The RUNTil query returns the current stop criteria.

Returned Format `[:MACHine{1|2}:TLISt:RUNTil] <run_until_spec><NL>`

Example

OUTPUT XXX; ":MACHINE1:TLIST:RUNTIL?"

TAVerage

Query :MACHine{1|2}:TLISt:TAVerage?

The TAVerage query returns the value of the average time between the X and O Markers. If the number of valid runs is zero, the query returns 9.9E37. Valid runs are those where the pattern search for both the X and O markers was successful, resulting in valid delta-time measurements.

Returned Format [:MACHine{1|2}:TLISt:TAVerage] <time_value><NL>
<time_value> real number

Example OUTPUT XXX;" :MACHINE1:TLIST:TAVERAGE?"

TMAXimum

Query :MACHine{1|2}:TLISt:TMAXimum?

The TMAXimum query returns the value of the maximum time between the X and O Markers. If data is not valid, the query returns 9.9E37.

Returned Format [:MACHine{1|2}:TLISt:TMAXimum] <time_value><NL>
<time_value> real number

Example OUTPUT XXX;" :MACHINE1:TLIST:TMAXIMUM?"

TMINimum

Query :MACHine{1|2}:TLISt:TMINimum?

The TMINimum query returns the value of the minimum time between the X and O Markers. If data is not valid, the query returns 9.9E37.

Returned Format [:MACHine{1|2}:TLISt:TMINimum] <time_value><NL>
 <time_value> real number

Example OUTPUT XXX; ":MACHINE1:TLIST:TMINIMUM?"

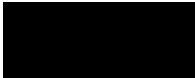
VRUNs

Query :MACHine{1|2}:TLISt:VRUNs?

The VRUNs query returns the number of valid runs and total number of runs made. Valid runs are those where the pattern search for both the X and O markers was successful resulting in valid delta time measurements.

Returned Format [:MACHine{1|2}:TLISt:VRUNs] <valid_runs>,<total_runs><NL>
 <valid_runs> zero or positive integer
 <total_runs> zero or positive integer

Example OUTPUT XXX; ":MACHINE1:TLIST:VRUNs?"



XCONditiOn

Command :MAChine{1|2}:TLISt:XCONditiOn {ENTering|EXITing}

The XCONditiOn command specifies where the X marker is placed. The X marker can be placed on the entry or exit point of the XPATtern when in the PATTern marker mode.

Example OUTPUT XXX; ":MACHINE1:TLIST:XCONDITION ENTERING"

Query :MAChine{1|2}:TLISt:XCONditiOn?

The XCONditiOn query returns the current setting.

Returned Format [:MAChine{1|2}:TLISt:XCONditiOn] {ENTering|EXITing}<NL>

Example OUTPUT XXX; ":MACHINE1:TLIST:XCONDITION?"

XOTag

Query :MAChine{1|2}:TLISt:XOTag?

The XOTag query returns the time from the X to O markers. If there is no data in the time mode the query returns 9.9E37.

Returned Format [:MAChine{1|2}:TLISt:XOTag] <XO_time><NL>

<XO_time> real number

Example OUTPUT XXX; ":MACHINE1:TLIST:XOTAG?"

XOTime

Query :MACHine{1|2}:TLISt:XOTime?

The XOTime query returns the time from the X to O markers. If there is no data in the time mode the query returns 9.9E37.

Returned Format [:MACHine{1|2}:TLISt:XOTime] <XO_time><NL>
 <XO_time> real number

Example OUTPUT XXX; ":MACHINE1:TLIST:XOTIME?"

XPATtern

Command :MACHine{1|2}:TLISt:XPATtern <label_name>,
 <label_pattern>

The XPATtern command allows you to construct a pattern recognizer term for the X Marker which is then used with the XSEArch criteria when moving the marker on patterns. Since this command deals with only one label at a time, a complete specification could require several iterations.

When the value of a pattern is expressed in binary, it represents the bit values for the label inside the pattern recognizer term. In whatever base is used, the value must be between 0 and $2^{32} - 1$, since a label may not have more than 32 bits. Because the <label_pattern> parameter may contain don't cares, it is handled as a string of characters rather than a number.

<label_name> string of up to 6 alphanumeric characters

<label_pattern> "{#B{0|1|X} . . . |
 #Q{0|1|2|3|4|5|6|7|X} . . . |
 #H{0|1|2|3|4|5|6|7|8|9|A|B|C|D|E|F|X} . . . |
 {0|1|2|3|4|5|6|7|8|9} . . . }"

Example

```
OUTPUT XXX;" :MACHINE1:TLIST:XPATTERN 'DATA','255' "  
OUTPUT XXX;" :MACHINE1:TLIST:XPATTERN 'ABC','#BXXXX1101' "
```

Query

```
:MACHine{1|2}:TLISt:XPATtern? <label_name>
```

Returned Format

The XPATtern query returns the pattern specification for a given label name.

```
[ :MACHine{1|2}:TLISt:XPATtern]  
<label_name>,<label_pattern><NL>
```

Example

```
OUTPUT XXX;" :MACHINE1:TLIST:XPATTERN? 'A' "
```

XSearch

Command

```
:MACHine{1|2}:TLISt:XSEarch <occurrence>,<origin>
```

The XSEarch command defines the search criteria for the X Marker, which is then associated with XPATtern recognizer specification when moving the markers on patterns. The origin parameter tells the marker to begin a search with the trigger or with the start of data. The occurrence parameter determines which occurrence of the XPATtern recognizer specification, relative to the origin, the marker actually searches for. An occurrence of 0 places a marker on the selected origin.

<occurrence> integer from -8191 to +8191

<origin> {TRIGger|START}

Example

```
OUTPUT XXX;" :MACHINE1:TLIST:XSEARCH +10,TRIGGER "
```

Query :MACHine{1|2}:TLISt:XSEarch?

The XSEarch query returns the search criteria for the X marker.

Returned Format [:MACHine{1|2}:TLISt:XSEarch] <occurrence>, <origin><NL>

Example OUTPUT XXX; ":MACHINE1:TLIST:XSEARCH?"

XState

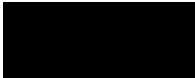
Query :MACHine{1|2}:TLISt:XState?

The XState query returns the line number in the listing where the X marker resides (-8191 to +8191). If data is not valid, the query returns 32767.

Returned Format [:MACHine{1|2}:TLISt:XState] <state_num><NL>

<state_num> an integer from -8191 to +8191, or 32767

Example OUTPUT XXX; ":MACHINE1:TLIST:XSTATE?"



XTAG

Command :MACHine{1|2}:TLISt:XTAG <time_value>

The XTAG command specifies the tag value on which the X Marker should be placed. The tag value is time. If the data is not valid tagged data, no action is performed.

<time_value> real number

Example

OUTPUT XXX;" :MACHINE1:TLISt:XTAG 40.00E-6 "

Query :MACHine{1|2}:TLISt:XTAG?

The XTAG query returns the X Marker position in time regardless of whether the marker was positioned in time or through a pattern search. If data is not valid tagged data, the query returns 9.9E37.

Returned Format [:MACHine{1|2}:TLISt:XTAG] <time_value><NL>

Example

OUTPUT XXX;" :MACHINE1:TLISt:XTAG?"



SPA Subsystem

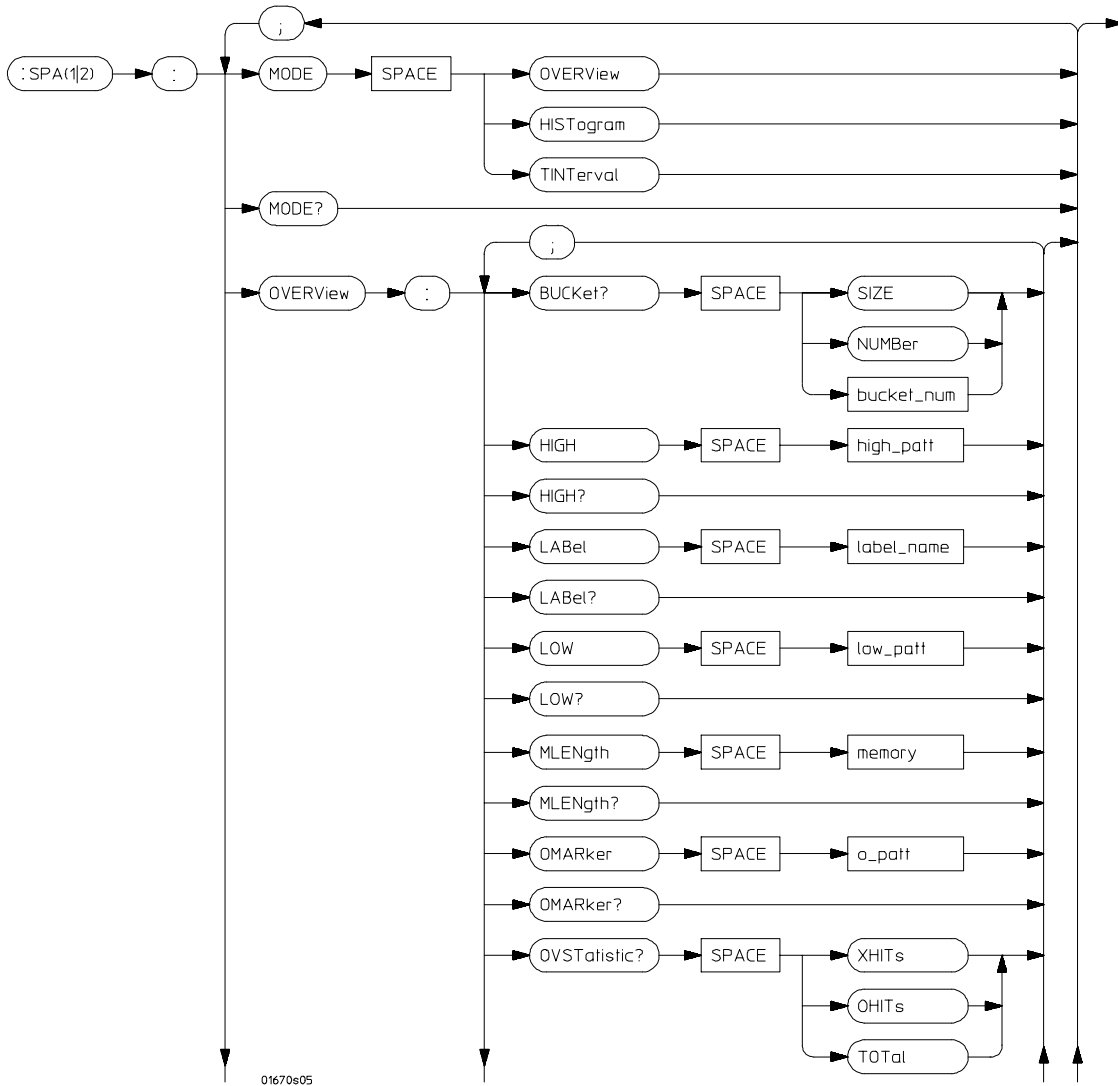
Introduction

This chapter provides you with information for programming the System Performance Analysis (SPA) features.

SPA commands have subsystems, indicated by the outdented items in the list. Indented commands must be prefaced with the outdented command above it unless MODE was previously used to set the mode. The SPA commands are:

- OVERView
 - BUCKet
 - HIGH
 - LABEL
 - LOW
 - OMARKer
 - OVSTatistic
 - XMARKer
- HISTogram
 - HISTatistic
 - LABEL
 - OTHer
 - QUALifier
 - RANGe
 - TTYPE
- TINTerval
 - AUTorange
 - QUALifier
 - TINTerval
 - TSTatistic
- MODE

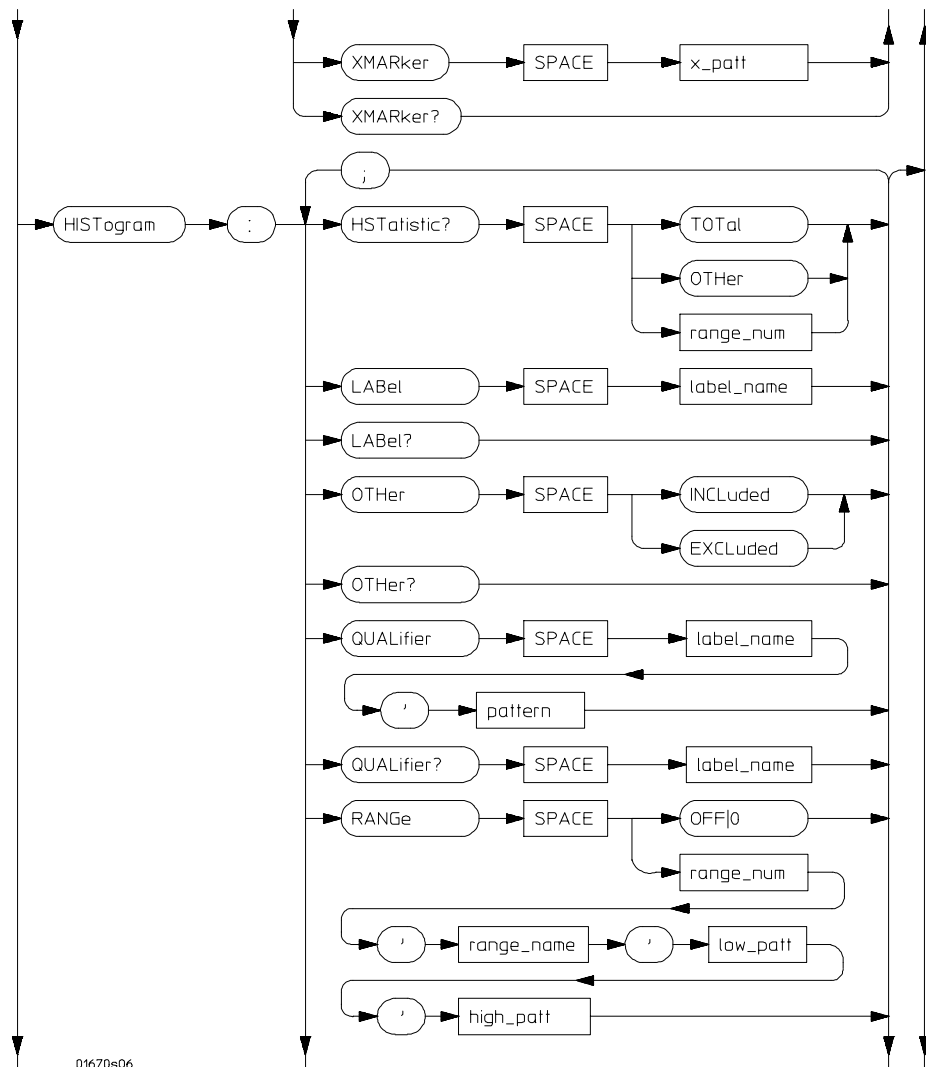
Figure 25-1



01670s05

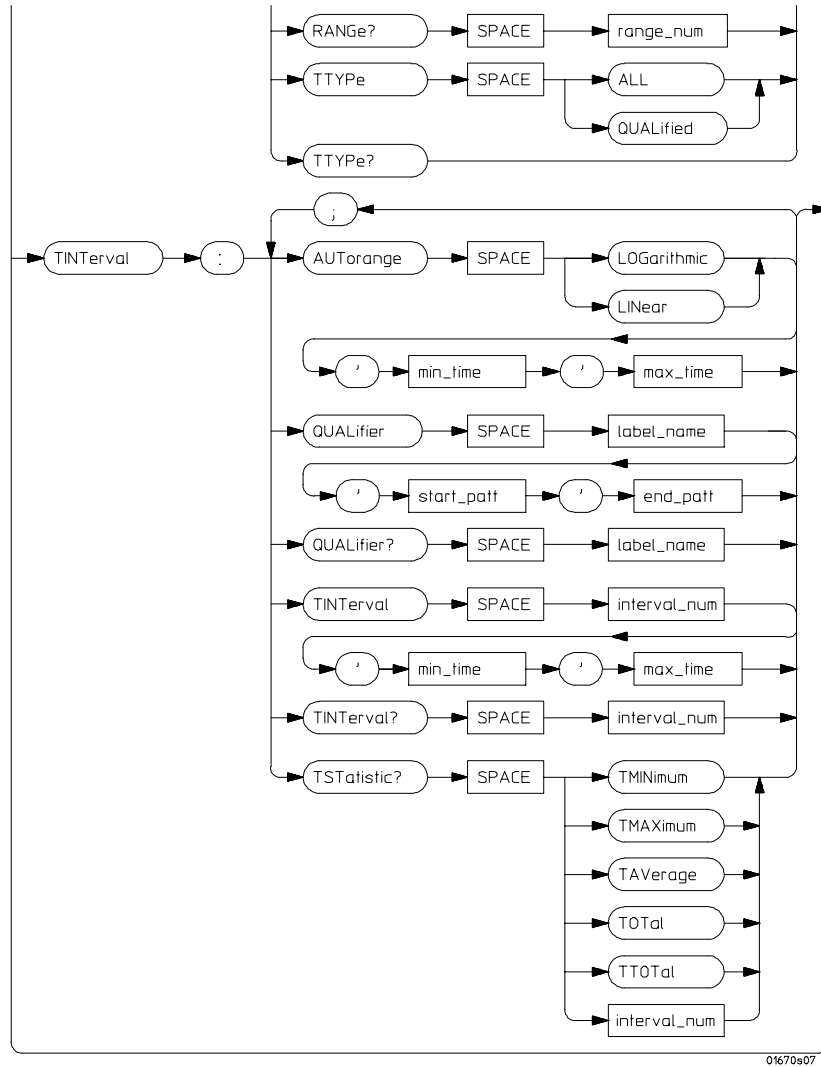
SPA Subsystem Syntax Diagram

Figure 25-1 (continued)



SPA Subsystem Syntax Diagram (continued)

Figure 25-1 (continued)



SPA Subsystem Syntax Diagram (continued)

Table 25-1

SPA Subsystem Parameter Values

Parameter	Value
bucket_num	0 to (number of valid buckets - 1)
high_patt	<pattern>
label_name	a string of up to 6 alphanumeric characters
low_patt	<pattern>
o_patt	<pattern>
x_patt	<pattern>
range_num	an integer from 0 to 10
range_name	a string of up to 16 alphanumeric characters
min_time	real number
max_time	real number
start_pattern	<pattern>
end_pattern	<pattern>
interval_num	an integer from 0 to 7
pattern	"{#B{0 1}... #Q{0 1 2 3 4 5 6 7}... #H{0 1 2 3 4 5 6 7 8 9 A B C D E F}.. . {0 1 2 3 4 5 6 7 8 9}...}"

MODE

Command :MAChine{1|2}:SPA{1|2}:MODE
 {OVERView|HISTogram|TINterval}

The MODE command selects which menu to display: State Overview, State Histogram, or Time Interval. A query returns the current menu mode.

Example

```
OUTPUT XXX;":MAChine{1|2}:SPA1:MODE OVERView"  
OUTPUT XXX;":MAChine{1|2}:SPA2:MODE HISTogram"  
OUTPUT XXX;":MAChine{1|2}:SPA1:MODE TINterval"
```

Query :MAChine{1|2}:SPA{1|2}:MODE?

Returned Format [:MAChine{1|2}:SPA{1|2}:MODE] {OVERView|HISTogram|
 TINterval}<NL>

Example

```
10 DIM String$(100)  
20 OUTPUT XXX;":SELECT 1"  
30 OUTPUT XXX;":MAChine{1|2}:SPA1:MODE?"  
40 ENTER XXX;String$  
50 PRINT String$  
60 END
```

OVERView:BUCKet

Query :MACHine{1|2}:SPA{1|2}:OVERView:BUCKet?
 {SIZE|NUMBER|<bucket_num>}

The OVERView:BUCKet query returns data relating to the State Overview measurement. You specify SIZE for width of each bucket, NUMBER for number of buckets, or <bucket_num> for the number of hits in the specified bucket number

Returned Format [:MACHine{1|2}:SPA{1|2}:OVERView:BUCKet] {SIZE|NUMBER|
 <bucket_num>},<number><NL>

 <bucket_num> 0 to (number of valid buckets - 1)

 <number> integer number

Example

```
10 DIM String$(100)
20 OUTPUT XXX;":SELECT 1"
30 OUTPUT XXX;":MACHine{1|2}:SPA2:OVERView:BUCKet? 23"
40 ENTER XXX;String$
50 PRINT String$
60 END
```

OVERView:HIGH

Command :MAChine{1|2}:SPA{1|2}:OVERView:HIGH
<high_pattern>

The OVERView:HIGH command sets the upper boundary of the State Overview measurement. A query returns the current setting of the upper boundary.

Setting the upper boundary defaults the data accumulators, statistic counters, and the number of buckets and their size.

<high_pattern> "#{B{0|1}}...|
 #Q{0|1|2|3|4|5|6|7}}...|
 #H{0|1|2|3|4|5|6|7|8|9|A|B|C|D|E|F}}...|
 {0|1|2|3|4|5|6|7|8|9}}..."

Example

```
OUTPUT XXX;":MAChine{1|2}:SPA1:OVERView:HIGH '23394' "
OUTPUT XXX;":MAChine{1|2}:SPA2:OVERView:HIGH '#Q4371' "
```

Query :MAChine{1|2}:SPA{1|2}:OVERView:HIGH?

Returned Format [:MAChine{1|2}:SPA{1|2}:OVERView:HIGH]<high_pattern><NL>

Example

```
10 DIM String$(100)
20 OUTPUT XXX;":SELECT 1"
30 OUTPUT XXX;":MAChine{1|2}:SPA1:OVERView:HIGH?"
40 ENTER XXX;String$
50 PRINT String$
60 END
```

OVERView:LABel

Command :MAChine{1|2}:SPA{1|2}:OVERView:LABel <label_name>

The OVERView:LABel command selects a new label for collecting the SPA measurements. A query returns the name of the currently selected label. Selecting a new label defaults the State Overview data accumulators, statistic counters, and the number of buckets and their size.

<label_name> string of up to 6 alphanumeric characters

Example

OUTPUT XXX;" :MAChine{1|2}:SPA2:OVERView:LABel 'A'"

Query :MAChine{1|2}:SPA{1|2}:OVERView:LABel?

Returned Format: [:MAChine{1|2}:SPA{1|2}:OVERView:LABel]<label_name><NL>

Example

```
10 DIM String$[100]
20 OUTPUT XXX;" :SELECT 1"
30 OUTPUT XXX;" :MAChine{1|2}:SPA2:OVERView:LABel?"
40 ENTER XXX;String$
50 PRINT String$
60 END
```

OVERView:LOW

Command :MACHine{1|2}:SPA{1|2}:OVERView:LOW <low_pattern>

The OVERView:LOW command sets the lower boundary of the State Overview measurement. A query returns the current setting of the lower boundary.

Setting the lower boundary defaults the data accumulators, statistic counters, and the number of buckets and their size.

```
<low_pattern> "{#B{0|1}...|
#Q{0|1|2|3|4|5|6|7}...|
#H{0|1|2|3|4|5|6|7|8|9|A|B|C|D|E|F}...|
{0|1|2|3|4|5|6|7|8|9}...}"
```

Example


```
OUTPUT XXX;":MACHine{1|2}:SPA2:OVERView:LOW '23394' "
OUTPUT XXX;":MACHine{1|2}:SPA1:OVERView:LOW '#Q4371' "
```

Query :MACHine{1|2}:SPA{1|2}:OVERView:LOW?

Returned Format [:MACHine{1|2}:SPA{1|2}:OVERView:LOW]<low_pattern><NL>

Example

```
10 DIM String$(100)
20 OUTPUT XXX;":SELECT 1"
30 OUTPUT XXX;":MACHine{1|2}:SPA1:OVERView:LOW?"
40 ENTER XXX;String$
50 PRINT String$
60 END
```



OVERView:OMARker

Command :MACHine{1|2}:SPA{1|2}:OVERView:OMARker
<o_pattern>

The OVERView:OMARker command sends the O marker to the lower boundary of the bucket where the specified pattern is located. A request to place the marker outside the defined boundary forces the marker to the appropriate end bucket. A query returns the pattern associated with the lower end of the bucket where the marker is placed.

```
<o_pattern> "#B{0|1}...|  
#Q{0|1|2|3|4|5|6|7}...|  
#H{0|1|2|3|4|5|6|7|8|9|A|B|C|D|E|F}.. .|  
{0|1|2|3|4|5|6|7|8|9}...}"
```

Example OUTPUT XXX;":MACHine{1|2}:SPA2:OVERView:OMARker '#H3C31'"

Query :MACHine{1|2}:SPA{1|2}:OVERView:OMARker?

Returned Format [:MACHine{1|2}:SPA{1|2}:OVERView:OMARker]<o_pattern><NL>

Example

```
10 DIM String$(100)  
20 OUTPUT XXX;":SELECT 1"  
30 OUTPUT XXX;":MACHine{1|2}:SPA1:OVERView:OMARker?"  
40 ENTER XXX;String$  
50 PRINT String$  
60 END
```

OVERView:OVStatistic

Query `:MACHine{1|2}:SPA{1|2}:OVERView:OVStatistic?
{XHITs|OHITs|TOTAl}`

The OVERView:OVStatistic query returns the number of hits associated with the requested statistic or returns the number of hits in the specified bucket. XHITs requests the number of hits in the bucket where the X marker is located. OHITs requests the number of hits in the bucket where the O marker is located. TOTAl requests the total number of hits.

Returned Format `[:MACHine{1|2}:SPA{1|2}:OVERView:OVStatistic] {XHITs|OHITs
|TOTAl}, <number_hits><NL>`

<number_hits> integer number

Example

```
10 DIM String$(100)
20 OUTPUT XXX;" :SELECT 1"
30 OUTPUT XXX;" :MACHine{1|2}:SPA2:OVERView:OVStatistic? OHITs"
40 ENTER XXX;String$
50 PRINT String$
60 END
```

OVERView:XMARker

Command :MACHine{1|2}:SPA{1|2}:OVERView:XMARker
<x_pattern>

The OVERView:XMARker command sends the X marker to the lower boundary of the bucket where the specified pattern is located. A request to place the marker outside the defined boundary forces the marker to the appropriate end bucket. A query returns the pattern associated with the lower end of the bucket where the marker is placed.

```
<x_pattern> "#B{0|1}...|  
#Q{0|1|2|3|4|5|6|7}...|  
#H{0|1|2|3|4|5|6|7|8|9|A|B|C|D|E|F}.. .|  
{0|1|2|3|4|5|6|7|8|9}...}"
```

Example OUTPUT XXX;":MACHine{1|2}:SPA2:OVERView:XMARker '#H3C31'"

Query :MACHine{1|2}:SPA{1|2}:OVERView:XMARker?

Returned Format [:MACHine{1|2}:SPA{1|2}:OVERView:XMARker]<x_pattern><NL>

Example

```
10 DIM String$(100)  
20 OUTPUT XXX;":SELECT 1"  
30 OUTPUT XXX;":MACHine{1|2}:SPA2:OVERView:XMARker?"  
40 ENTER XXX;String$  
50 PRINT String$  
60 END
```

HISTogram:HSTatistic

Query :MACHine{1|2}:SPA{1|2}:HISTogram:HSTatistic?
 {TOTal|OTHer|<range_number>}

The HISTogram:HSTatistic query returns the total number of samples or returns the number of samples in the specified range. Specify TOTal for the total number of samples, OTHer for the number of hits in "other" range, or <range_number> for the number of hits in that range.

Depending on whether the "other" range is on or off, the statistic TOTal includes or excludes the number of hits in the "other" range.

Returned Format [:MACHine{1|2}:SPA{1|2}:HISTogram:HSTatistic] {TOTal|OTHer|<range_number>},<number_hits><NL>

<range_number> 0 to 10

 <number_hits> integer number

Example

```
10 DIM String$(100)
20 OUTPUT XXX;" :SELECT 1"
30 OUTPUT XXX;" :MACHine{1|2}:SPA1:HISTogram:HSTatistic? 7"
40 ENTER XXX;String$
50 PRINT String$
60 END
```



HISTogram:LABel

Command :MAChine{1|2}:SPA{1|2}:HISTogram:LABel
 <label_name>

The HISTogram:LABel command selects a new label for collecting SPA measurements. A query returns the name of the currently selected label. Selecting a new label defaults the State Histogram range names, bucket sizes, and hit accumulators.

<label_name> string of up to 6 alphanumeric characters

Example OUTPUT XXX;":MAChine{1|2}:SPA2:HISTogram:LABel 'A' "

Query :MAChine{1|2}:SPA{1|2}:HISTogram:LABel?

Returned Format [:MAChine{1|2}:SPA{1|2}:HISTogram:LABel] <label_name><NL>

Example

```
10 DIM String$[100]
20 OUTPUT XXX;":SELECT 1"
30 OUTPUT XXX;":MAChine{1|2}:SPA2:HISTogram:LABel?"
40 ENTER XXX;String$
50 PRINT String$
60 END
```

HISTogram:OTHer

Command :MACHine{1|2}:SPA{1|2}:HISTogram:OTHer
 { INCLuded|EXCLuded}

The HISTogram:OTHer command selects including or excluding the "other" histogram bucket. A query returns data indicating whether the "other" bucket is currently included or excluded.

Example OUTPUT XXX;" :MACHine{1|2}:SPA2:HISTogram:OTHer INCLuded"
 OUTPUT XXX;" :MACHine{1|2}:SPA1:HISTogram:OTHer EXCLuded"

Query :MACHine{1|2}:SPA{1|2}:HISTogram:OTHer?

Returned Format [:MACHine{1|2}:SPA{1|2}:HISTogram:OTHer]{ INCLuded|EXCLuded}<NL>

Example 10 DIM String\${100}
 20 OUTPUT XXX;" :SELECT 1"
 30 OUTPUT XXX;" :MACHine{1|2}:SPA2:HISTogram:OTHer?"
 40 ENTER XXX;String\$
 50 PRINT String\$
 60 END

HISTogram:QUALifier

Command :MACHine{1|2}:SPA{1|2}:HISTogram:QUALifier
<label_name>, <pattern>

The HISTogram:QUALifier command sets the pattern associated with the specified label. The pattern is a condition for triggering and storing the measurement. A query of a label returns the current pattern setting for that label.

<label_name> string of up to 6 alphanumeric characters

<pattern> "{#B{0|1}...|
#Q{0|1|2|3|4|5|6|7}...|
#H{0|1|2|3|4|5|6|7|8|9|A|B|C|D|E|F}... .|
{0|1|2|3|4|5|6|7|8|9}...}"

Example OUTPUT XXX;":MACHine{1|2}:SPA2:HISTogram:QUALifier 'A','255'"

Query :MACHine{1|2}:SPA{1|2}:HISTogram:QUALifier?
<label_name>

Returned Format [:MACHine{1|2}:SPA{1|2}:HISTogram:QUALifier]
<label_name>,<pattern><NL>

Example 10 DIM String\$(100)
20 OUTPUT XXX;":SELECT 1"
30 OUTPUT XXX;":MACHine{1|2}:SPA1:HISTogram:QUALifier? 'A'
40 ENTER XXX;String\$
50 PRINT String\$
60 END

HISTogram:RANGe

Command :MACHine{1|2}:SPA{1|2}:HISTogram:RANGe {OFF|<range_num>,<range_name>,<low_patt>,<high_patt>}

The HISTogram:RANGe command turns off all ranges or defines the range name, low boundary, and high boundary of the specified range. Defining a specified range turns on that range. For the specified range, a query returns the name, low boundary, high boundary, and whether the range is on or off.

<range_num> 0 to 10

<range_name> string of up to 16 alphanumeric characters

<low_patt> "{#B{0|1}...|
#Q{0|1|2|3|4|5|6|7}...|
#H{0|1|2|3|4|5|6|7|8|9|A|B|C|D|E|F}... .|
{0|1|2|3|4|5|6|7|8|9}...}"

<high_patt> "{#B{0|1}...|
#Q{0|1|2|3|4|5|6|7}...|
#H{0|1|2|3|4|5|6|7|8|9|A|B|C|D|E|F}... .|
{0|1|2|3|4|5|6|7|8|9}...}"

Example

OUTPUT XXX;" :MACHine{1|2}:SPA1:HISTogram:RANGe OFF"
OUTPUT XXX;" :MACHine{1|2}:SPA2:HISTogram:RANGe 5,'A','255','512'
OUTPUT XXX;" :MACHine{1|2}:SPA1:HISTogram:RANGe 8,'DATA','B0100110','H9F'

Query :MACHine{1|2}:SPA{1|2}:HISTogram:RANGe?
<range_num>

SPA Subsystem
HISTogram:TTYPe

Returned Format [:MACHine{1|2}:SPA{1|2}:HISTogram:RANGe]
 <range_number>,<range_name>,<low_pattern>,<high_pattern>,
 <range_onoff><NL>

<range_onoff> {ON|OFF}

Example 10 DIM String\$[100]
 20 OUTPUT XXX;" :SELECT 1"
 30 OUTPUT XXX;" :MACHine{1|2}:SPA1:HISTogram:RANGe? 4"
 40 ENTER XXX;String\$
 50 PRINT String\$
 60 END

HISTogram:TTYPe

Command :MACHine{1|2}:SPA{1|2}:HISTogram:TTYPe
 {ALL|QUALified}

The HISTogram:TTYPe command sets the trigger to trigger on anystate or on qualified state. A query returns the current trace type setting.

Example OUTPUT XXX;" :MACHine{1|2}:SPA2:HISTogram:TTYPe ALL"

Query :MACHine{1|2}:SPA{1|2}:HISTogram:TTYPe?

Returned Format [:MACHine{1|2}:SPA{1|2}:HISTogram:TTYPe]{ALL|QUALified}<NL>

Example 10 DIM String\$[100]
 20 OUTPUT XXX;" :SELECT 1"
 30 OUTPUT XXX;" :MACHine{1|2}:SPA1:HISTogram:TTYPe?"
 40 ENTER XXX;String\$
 50 PRINT String\$
 60 END

TINterval:AUTorange

Command :MACHine{1|2}:SPA{1|2}:TINterval:AUTorange
{LOGarithmic|LINear}, <min_time>, <max_time>

The TINterval:AUTorange command automatically sets the Time Interval ranges in a logarithmic or linear distribution over the specified range of time. When the AUTorange command is executed, the data accumulators and statistic counters are reset.

<min_time> real number

<max_time> real number

Example

OUTPUT XXX; ":MACHine{1|2}:SPA2:TINterval:AUTorange LINear,4.0E-3,55.6E+2"

OUTPUT XXX; ":MACHine{1|2}:SPA1:TINterval:AUTorange LOGarithmic,3.3E+1,8.6E+2"

TINterval:QUALifier

Command :MACHine{1|2}:SPA{1|2}:TINterval:QUALifier
<label_name>, <start_pattern>, <end_pattern>

The TINterval:QUALifier command defines the start and stop patterns for a specified label. The start and stop patterns determine the time windows for collecting data. A query returns the currently defined start and stop patterns for a given label.

<label_name> string of up to 6 alphanumeric characters

<start_pattern> "#B{0|1}...|
#Q{0|1|2|3|4|5|6|7}...|
#H{0|1|2|3|4|5|6|7|8|9|A|B|C|D|E|F}.. .|
{0|1|2|3|4|5|6|7|8|9}...}"

SPA Subsystem
TInterval:QUALifier

```
<end_pattern> "{#B{0|1}...|  
#Q{0|1|2|3|4|5|6|7}...|  
#H{0|1|2|3|4|5|6|7|8|9|A|B|C|D|E|F}.. .|  
{0|1|2|3|4|5|6|7|8|9}...}"
```

Example

```
OUTPUT XXX;":MACHine{1|2}:SPA1:TInterval:QUALifier 'A','#Q231','#Q455'"  
OUTPUT XXX;":MACHine{1|2}:SPA2:TInterval:QUALifier 'DATA','#H3A','#255'"
```

Query :MACHine{1|2}:SPA{1|2}:TInterval:QUALifier?
<label_name>

Returned Format [:MACHine{1|2}:SPA{1|2}:TInterval:QUALifier]
<label_name>,<start_pattern>,<end_pattern><NL>

Example

```
10 DIM String$(100)  
20 OUTPUT XXX;":SELECT 1"  
30 OUTPUT XXX;":MACHine{1|2}:SPA1:TInterval:QUALifier? 'A'"  
40 ENTER XXX;String$  
50 PRINT String$  
60 END
```

TINterval:TINterval

Command :MACHine{1|2}:SPA{1|2}:TINterval:TINterval
 <interval_number>, <min_time>, <max_time>

The TINterval:TINterval command specifies the minimum and maximum time limits for the given interval. A query returns these limits for a specified interval.

<interval_number> 0 to 7

<min_time> real number

<max_time> real number

Example

```
OUTPUT XXX;":MACHine{1|2}:SPA2:TINterval:TINterval 4,1.0E-3,47.0E5"
OUTPUT XXX;":MACHine{1|2}:SPA1:TINterval:TINterval 3,6.8E-7,4.90E2"
```

Query :MACHine{1|2}:SPA{1|2}:TINterval:TINterval?
 <interval_number>

Returned Format [:MACHine{1|2}:SPA{1|2}:TINterval:TINterval]<interval_number>,
 <min_time>,<max_time><NL>

Example

```
10 DIM String$(100)
20 OUTPUT XXX;":SELECT 1"
30 OUTPUT XXX;":MACHine{1|2}:SPA2:TINterval:TINterval? 6"
40 ENTER XXX;String$
50 PRINT String$
60 END
```

TInterval:TStatistic

Query :MAChine{1|2}:SPA{1|2}:TInterval:TStatistic?
 {TMINimum|TMAXimum|TAVerage|TOTal|TTOTal|
 <interval_number>}

The TInterval:TStatistic query returns either the time or the number of samples associated with the requested statistic. The statistics you can request are:

- TMINimum - overall minimum interval time
- TMAXimum - overall maximum interval time
- TAVerage - overall average interval time
- TOTal - total number of samples
- TTOTal - overall total time of all interval samples
- <interval_number> - number of hits in given interval

If TMINimum, TMAXimum, TAVerage, or TTOTal are not currently valid, the real value 9.9E37 is returned.

Returned Format [:MAChine{1|2}:SPA{1|2}:TInterval:TStatistic] {
 { {TMINimum|TMAXimum|TAVerage|TTOTal} <time_number>} |
 { {TOTal|<interval_number>}, <number_hits>} } <NL>

<interval_ 0 to 7
 number>

<number_hits> integer number

<time_number> real number

Example 10 DIM String\$[100]
 20 OUTPUT XXX;" :SELECT 1"
 30 OUTPUT XXX;" :MAChine{1|2}:SPA1:TInterval:TStatistic? 3"
 40 ENTER XXX;String\$
 50 PRINT String\$
 60 END



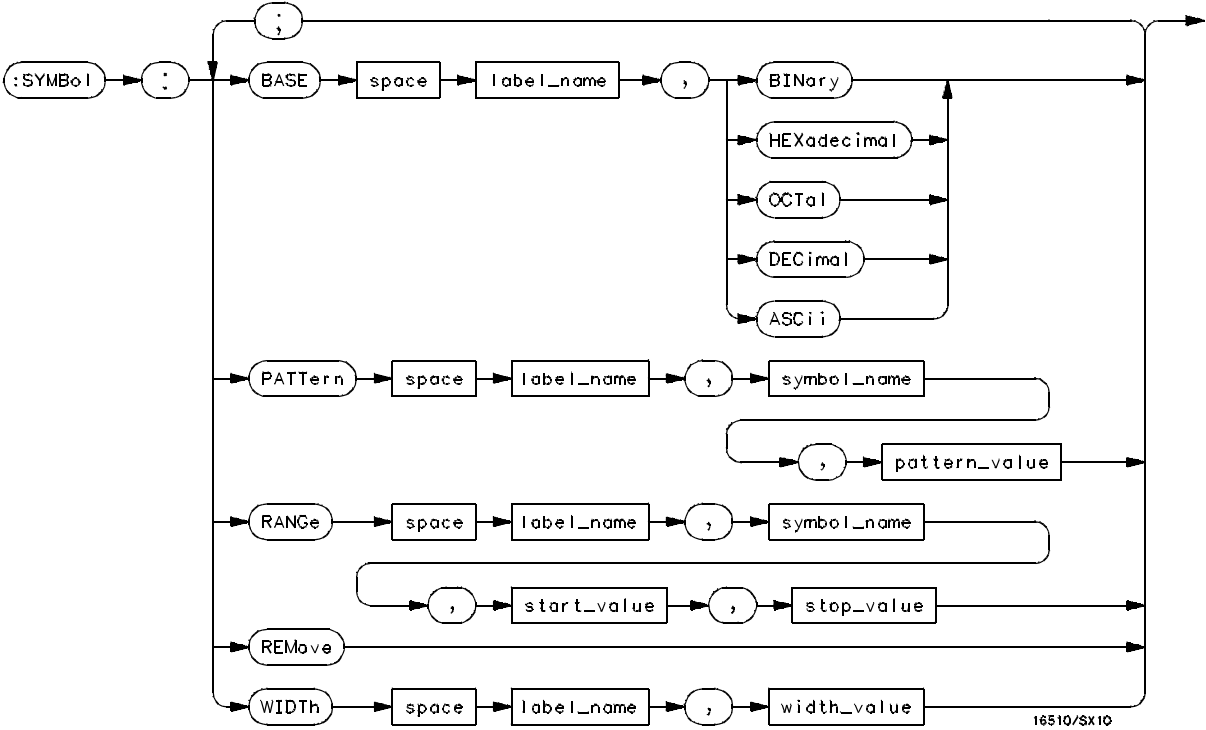
SYMBOL Subsystem

Introduction

The SYMBol subsystem contains the commands that allow you to define symbols on the controller and download them to the HP 1660E/ES/EP-series logic analyzers. The commands in this subsystem are:

- BASE
- PATtern
- RANGe
- REMove
- WIDTh

Figure 26-1



SYMBOL Subsystem Syntax Diagram

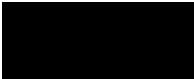


Table 26-1

SYMBOL Parameter Values

Parameter	Values
label_name	string of up to 6 alphanumeric characters
symbol_name	string of up to 16 alphanumeric characters
pattern_value	"{#B{0 1 X} . . . #Q{0 1 2 3 4 5 6 7 X} . . . #H{0 1 2 3 4 5 6 7 8 9 A B C D E F X} {0 1 2 3 4 5 6 7 8 9} . . . }"
start_value	"{#B{0 1} . . . #Q{0 1 2 3 4 5 6 7} . . . #H{0 1 2 3 4 5 6 7 8 9 A B C D E F} {0 1 2 3 4 5 6 7 8 9} . . . }"
stop_value	"{#B{0 1} . . . #Q{0 1 2 3 4 5 6 7} . . . #H{0 1 2 3 4 5 6 7 8 9 A B C D E F} {0 1 2 3 4 5 6 7 8 9} . . . }"
width_value	integer from 1 to 16

SYMBOL

Selector

:MACHINE{1|2}:SYMBOL

The SYMBOL selector is used as a part of a compound header to access the commands used to create symbols. It always follows the MACHINE selector because it selects a branch directly below the MACHINE level in the command tree.

Example

OUTPUT XXX;" :MACHINE1:SYMBOL:BASE 'DATA', BINARY"

BASE

Command :MACHine{1|2}:SYMBOL:BASE
 <label_name>, <base_value>

The BASE command sets the base in which symbols for the specified label will be displayed in the symbol menu. It also specifies the base in which the symbol offsets are displayed when symbols are used.

BINary is not available for labels with more than 20 bits assigned. In this case the base will default to HEXadecimal.

<label_name> string of up to 6 alphanumeric characters

<base_value> {BINary|HEXadecimal|OCTal|DECimal|ASCii}

Example

OUTPUT XXX;":MACHINE1:SYMBOL:BASE 'DATA',HEXADECIMAL"

PATTERN

Command :MAChine{1|2}:SYMBOL:PATTErn <label_name>,
 <symbol_name>,<pattern_value>

The PATTern command allows you to create a pattern symbol for the specified label. Because don't cares (X) are allowed in the pattern value, it must always be expressed as a string. You may still use different bases, though don't cares cannot be used in a decimal number.

<label_name> string of up to 6 alphanumeric characters
<symbol_name> string of up to 16 alphanumeric characters
<pattern_value> "{#B{0|1|X} . . . |
 #Q{0|1|2|3|4|5|6|7|X} . . . |
 #H{0|1|2|3|4|5|6|7|8|9|A|B|C|D|E|F|X} . . . |
 {0|1|2|3|4|5|6|7|8|9} . . . }"

Example OUTPUT XXX;" :MACHINE1:SYMBOL:PATTERN 'STAT',
 'MEM_RD', '#H01XX'

RANGE

Command :MAChine{1|2}:SYMBOL:RANGe <label_name>,
 <symbol_name>,<start_value>,<stop_value>

The RANGe command allows you to create a range symbol containing a start value and a stop value for the specified label. The values may be in binary (#B), octal (#Q), hexadecimal (#H) or decimal (default). You cannot use don't cares in any base.

<label_name> string of up to 6 alphanumeric characters

<symbol_name> string of up to 16 alphanumeric characters

<start_value> "{#B{0|1} . . . |
 #Q{0|1|2|3|4|5|6|7} . . . |
 #H{0|1|2|3|4|5|6|7|8|9|A|B|C|D|E|F} . . . |
 {0|1|2|3|4|5|6|7|8|9} . . . }"

<stop_value> "{#B{0|1} . . . |
 #Q{0|1|2|3|4|5|6|7} . . . |
 #H{0|1|2|3|4|5|6|7|8|9|A|B|C|D|E|F} . . . |
 {0|1|2|3|4|5|6|7|8|9} . . . }"

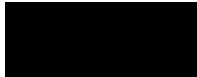
Example OUTPUT XXX; ":MACHINE1:SYMBOL:RANGE 'STAT',
 'IO_ACC','0','#H000F'"

REMove

Command :MACHine{1|2}:SYMBOL:REMove

The REMove command deletes all symbols from a specified machine.

Example OUTPUT XXX; ":MACHINE1:SYMBOL:REMOVE"



WIDTH

Command :MACHine{1|2}:SYMBOL:WIDTH <label_name>,
 <width_value>

The WIDTH command specifies the width (number of characters) in which the symbol names will be displayed when symbols are used.

The WIDTH command does not affect the displayed length of the symbol offset value.

<label_name> string of up to 6 alphanumeric characters

<width_value> integer from 1 to 16

Example

OUTPUT XXX;" :MACHINE1:SYMBOL:WIDTH 'DATA',9 "



DATA and SETup Commands

Introduction

The DATA and SETup commands are SYSTem commands that allow you to send and receive block data between the HP 1660E/ES/EP-series logic analyzer and a controller. Use the DATA instruction to transfer acquired timing and state data, and the SETup instruction to transfer instrument configuration data. This is useful for:

- Reloading measurements and configurations to the logic analyzer
- Processing data later
- Processing data in the controller

This chapter explains how to use these commands.

The format and length of block data depends on the instruction being used, the configuration of the instrument, and the amount of acquired data. The length of the data block can be up to 409,760 bytes in the HP 1660E/ES/EP.

The SYSTem:DATA section describes each part of the block data as it will appear when used by the DATA instruction. The beginning byte number, the length in bytes, and a short description is given for each part of the block data. This is intended to be used primarily for processing of data in the controller.

<p>Do not change the block data in the controller if you intend to send the block data back into the logic analyzer for later processing. Changes made to the block data in the controller could have unpredictable results when sent back to the logic analyzer.</p>

Data Format

To understand the format of the data within the block data, there are four important things to keep in mind.

- Data is sent to the controller in binary form.
- Each byte, as described in this chapter, contains 8 bits.
- The first bit of each byte is the MSB (most significant bit).
- Byte descriptions are printed in binary, decimal, or ASCII depending on how the data is described.

For example, the first ten bytes that describe the section name contain a total of 80 bits as follows:

	Byte 1														Byte 10
Binary	0100	0100	0100	0001	0101	0100	0100	0001	0010	0000	...	0010	0000		
	MSB	LSB													
Decimal	68	65	84	65	32	32	32	32	32	32		66	64		
ASCII	D	A	T	A								D	A		



:SYSTem:DATA

Command :SYSTem:DATA <block_data>

The SYSTem:DATA command transmits the acquisition memory data from the controller to the HP 1660E/ES/EP-series logic analyzer.

The block data consists of a variable number of bytes containing information captured by the acquisition chips. The information will be in one of three formats, depending on the type of data captured. The three formats are glitch, transitional, and conventional timing or state. Each format is described in the "Acquisition Data Description" section later in this chapter. Since no parameter checking is performed, out-of-range values could cause instrument lockup; therefore, be careful when transferring the data string into the logic analyzer.

The <block_data> parameter can be broken down into a <block_length_specifier> and a variable number of <section>'s.

The <block_length_specifier> always takes the form #8DDDDDDDD. Each D represents a digit (ASCII characters "0" through "9"). The value of the eight digits represents the total length of the block (all sections). For example, if the total length of the block is 14522 bytes, the block length specifier would be "#800014522".

Each <section> consists of a <section header> and <section data>. The <section data> format varies for each section. For the DATA instruction, there is only one <section>, which is composed of a data preamble followed by the acquisition data. This section has a variable number of bytes depending on configuration and amount of acquired data.

<block_data>	<block_length_specifier><section>
<block_length_specifier>	#8<length>
<length>	The total length of all sections in byte format (must be represented with 8 digits)
<section>	<section header><section data>

<section_header> 16 bytes, described in this chapter, under "Section Header Description".

<section_data> Format depends on the specific section.

Example

OUTPUT XXX; ":SYSTem:DATA" <block_data>

The total length of a section is 16 (for the section header) plus the length of the section data. So when calculating the value for <length>, don't forget to include the length of the section headers.

Query :SYSTem:DATA?

The SYSTem:DATA query returns the block data to the controller. The data sent by the SYSTem:DATA query reflect the configuration of the machines when the last run was performed. Any changes made since then through either front-panel operations or programming commands do not affect the stored configuration.

Returned Format [:SYSTem:DATA] <block_data><NL>

Example

See "Transferring the logic analyzer acquired data" in chapter 37, "Programming Examples," for an example.



Section Header Description

The section header uses bytes 1 through 16 (this manual begins counting at 1; there is no byte 0). The 16 bytes of the section header are as follows:

Byte Position

- 1 10 bytes - Section name ("DATA space space space space space" in ASCII for the DATA instruction).
- 11 1 byte - Reserved
- 12 1 byte - Module ID (0010 0000 binary or 32 decimal for the HP 1660E/ES/EP-series)
- 13 4 bytes - Length of section in number of bytes that, when converted to decimal, specifies the number of bytes contained in the section.

Section Data

For the SYSTem:DATA command, the <section data> parameter consists of two parts: the data preamble and the acquisition data. These are described in the following two sections.

Data Preamble Description

The block data is organized as 160 bytes of preamble information, followed by a variable number of bytes of data. The preamble gives information for each analyzer describing the amount and type of data captured, where the trace point occurred in the data, which pods are assigned to which analyzer, and other information. The values stored in the preamble represent the captured data currently stored in this structure and not the current analyzer configuration. For example, the mode of the data (bytes 21 and 49) may be STATE with tagging, while the current setup of the analyzer is TIMING.

The preamble (bytes 17 through 176) consists of the following 160 bytes:

- 17 2 bytes - Instrument ID (always 1660 decimal for HP 1660E/ES/EP-series)
- 19 1 byte - Revision Code
- 20 1 byte - number of pod pairs used in last acquisition

The next 40 bytes are for Analyzer 1 Data Information.

Byte Position

- 21 1 byte - Machine data mode, one of the following decimal values:
 -1 = off
 0 = state data without tags
 1 = state data with all pod pairs assigned
 (2 K memory) and either time or state tags
 2 = state data with unassigned pod used to store tag data
 (4 K memory)
 8 = state data at half channel (8 K memory with no tags)
 10 = conventional timing data at full channel
 11 = transitional timing data at full channel
 12 = glitch timing data
 13 = conventional timing data at half channel
 14 = transitional timing data at half channel

22 1 byte - Unused.

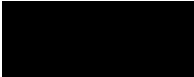
23 2 bytes - List of pods in this analyzer, where a binary 1 indicates that the corresponding pod is assigned to this analyzer

bit 15	bit 14	bit 13	bit 12	bit 11	bit 10	bit 9	bit 8
unused	unused	always 1	unused	unused	unused	unused	Pod 8 ¹
bit 7	bit 6	bit 5	bit 4	bit 3	bit 2	bit 1	bit 0
Pod 7 ¹	Pod 6 ²	Pod 5 ²	Pod 4 ³	Pod 3 ³	Pod 2	Pod 1	unused

1 – also unused in the HP 1661E/ES, HP 1662E/ES, and HP 1663E/ES
 2 – also unused in the HP 1662E/ES and HP 1663E/ES
 3 – also unused in the HP 1663E/ES

Example

xx1x xxx0 0001 111x indicates pods 1 through 4 are assigned to this analyzer (x = unused bit).



- 25 1 byte - This byte returns which chip is used to store the time or state tags when an unassigned pod is available to store tag data. This chip is available in state data mode with an unassigned pod and state or time tags on. Byte 21 = 2 in this mode.

DATA and SETUp Commands
Data Preamble Description

Byte Position

26 1 byte - Master chip for this analyzer. This decimal value returns which chip's time tag data is valid in a non-transitional mode; for example, state with time tags.

- | | |
|-------------------------------|-------------------------------|
| 5 - pods 1 and 2 | 2 - pods 7 and 8 ³ |
| 4 - pods 3 and 4 ¹ | 1 - unused |
| 3 - pods 5 and 6 ² | 0 - unused |
| | - 1 - no chip |

1 - also unused in the HP 1663E/ES

2 - also unused in the HP 1662E/ES and HP 1663E/ES

3 - also unused in the HP 1661E/ES, HP 1662E/ES, and HP 1663E/ES

27 6 bytes - Unused

33 8 bytes - A decimal integer representing sample period in picoseconds (timing only).

Example

The following 64 bits in binary would equal 8,000 picoseconds or 8 nanoseconds:

00000000 00000000 00000000 00000000 00000000 00011111 01000000

41 8 bytes - Unused

49 1 byte - Tag type for state only in one of the following decimal values:
0 = off
1 = time tags
2 = state tags

50 1 byte - Unused

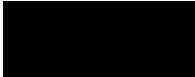
51 8 bytes - A decimal integer representing the time offset in picoseconds from when this analyzer is triggered and when this analyzer provides an output trigger to the IMB or port out. The value for one analyzer is always zero and the value for the other analyzer is the time between the triggers of the two analyzers.

59 2 bytes - Unused

Byte Position

- 61 40 bytes - The next 40 bytes are for Analyzer 2 Data Information. They are organized in the same manner as Analyzer 1 above, but they occupy bytes 61 through 100.

- 101 26 bytes - Number of valid rows of data (starting at byte 177) for each pod. The 26 bytes of this group are organized as follows:
 - Bytes 1 and 2 - Unused
 - Bytes 3 and 4 - Unused.
 - Bytes 5 and 6 - Unused.
 - Bytes 7 and 8 - Unused.
 - Bytes 9 and 10 - Unused.
 - Bytes 11 and 12 contain the number of valid rows of data for pod 8 of the HP 1660E/ES/EP only. Unused in the other HP 1660E/ES/EP-series logic analyzers.
 - Bytes 13 and 14 contain the number of valid rows of data for pod 7 of the HP 1660E/ES/EP only. Unused in the other HP 1660E/ES/EP-series logic analyzers
 - Bytes 15 and 16 contain the number of valid rows of data for pod 6 of the HP 1660E/ES/EP and HP 1661E/ES/EP only.
 - Bytes 17 and 18 contain the number of valid rows of data for pod 5 of the HP 1660E/ES/EP and HP 1661E/ES/EP only.
 - Bytes 19 and 20 contain the number of valid rows of data for pod 4 of the HP 1660E/ES/EP, HP 1661E/ES/EP, and HP 1662E/ES/EP only.
 - Bytes 21 and 22 contain the number of valid rows of data for pod 3 of the HP 1660E/ES/EP, HP 1661E/ES/EP, and HP 1662E/ES/EP only.
 - Bytes 23 and 24 contain the number of valid rows of data for pod 2 of all models of the HP1660E/ES/EP-series logic analyzers.
 - Bytes 25 and 26 contain the number of valid rows of data for pod 1 of all models of the HP1660E/ES/EP-series logic analyzers.



Byte Position

- 127 26 bytes - Row of data containing the trigger point. This byte group is organized in the same way as the data rows (starting at byte 101 above). These binary numbers are base zero numbers which start from the first sample stored for a specific pod. For example, if bytes 151 and 152 contained a binary number with a decimal equivalent of +1018, the data row having the trigger is the 1018th data row on pod 1. There are 1018 rows of pre-trigger data as shown below.
- row 0
 - row 1
 - .
 - .
 - .
 - row 1017
 - row 1018 – trigger row
- 153 24 bytes - Unused

Acquisition Data Description

The acquisition data section consists of a variable number of bytes depending on which logic analyzer you are using, the acquisition mode and the tag setting (time, state, or off). The data is grouped in 18-byte rows for the HP 1660E/ES/EP, in 14-byte rows for the HP 1661E/ES/EP, in 10-byte rows for the HP 1662E/ES/EP, and in 6-byte rows for the HP 1663E/ES/EP.

The number of rows for each pod is stored in byte positions 101 through 126. The number of bytes in each row can be determined by the value stored in byte position 20 which contains the number of pod pairs in the instrument. For example, if the value in byte position 20 is 4, the instrument is an HP 1660E/ES/EP. Values 3, 2, and 1 represent the HP 1661E/ES/EP, 1662E/ES/EP, and 1663E/ES/EP respectively.

Byte Position

	clock lines	Pod 8 ¹	Pod 7 ¹	pod 6 ²	pod 5 ²	pod 4 ³	pod 3 ³	pod 2	pod 1 ⁴
177	2 bytes	2 bytes	2 bytes	2 bytes	2 bytes	2 bytes	2 bytes	2 bytes	2 bytes
195	2 bytes	2 bytes	2 bytes	2 bytes	2 bytes	2 bytes	2 bytes	2 bytes	2 bytes
.
.
.
(x)	2 bytes	2 bytes	2 bytes	2 bytes	2 bytes	2 bytes	2 bytes	2 bytes	2 bytes

1 – unused in the HP 1661E/ES/EP, HP 1662E/ES/EP, and HP 1663E/ES/EP

2 – also unused in the HP 1662E/ES/EP and HP 1663E/ES/EP

3 – also unused in the HP 1663E/ES/EP

4 – The headings are not a part of the returned data.

Row (x) is the highest number of valid rows specified by the bytes in byte positions 101 through 126 in all modes and when neither analyzer is in glitch mode. In the glitch mode, row (x) is the larger of:

1. The highest number of valid rows specified by the bytes in byte positions 101 through 126; or,
2. 2048 + the highest number of valid rows for the pods assigned to the timing analyzer, when one or more glitches are detected.

The clock-line bytes for the HP 1660E/ES/EP, which also includes 2 additional data lines (D), are organized as follows:

xxxx xxPN xxDD MLKJ

The clock-line bytes for the HP 1661E/ES/EP and HP 1662E/ES/EP are organized as follows:

xxxx xxxx xxxx MLKJ

The clock-line bytes for the HP 1663E/ES/EP are organized as follows:

xxxx xxxx xxxx xxKJ



Time Tag Data Description

The time tag data starts at the end of the acquired data. Each data row has an 8-byte time tag for each chip (pod pair). The starting location of the time tag data is immediately after the last row of valid data (maximum data byte + 1). If an analyzer is in a non-transitional mode, the master chip (byte 26) is the only chip with valid time-tag data. The time tag data is a decimal integer representing time in picoseconds for both timing and state time tags. For state tags in the state analyzer, tag data is a decimal integer representing the number of states.

Time Tag Block (for the HP 1660E/ES/EP)

Byte 1 through 8 (64 bits starting with the MSB) - First sample tag for pods 1 and 2.

Byte 9 through 16 (64 bits starting with the MSB) - Second sample tag for pods 1 and 2.

·
·
·

Byte (w) through (w + 7) (64 bits starting with the MSB) - Last sample tag for pods 1 and 2.

Byte (w + 8) through (w + 15) (64 bits starting with the MSB) - First sample tag for pods 3 and 4.

Byte (w + 16) through (w + 23) (64 bits starting with the MSB) - Second sample tag for pods 3 and 4.

·
·
·

Byte (x) through (x + 7) (64 bits starting with the MSB) - Last sample tag for pods 3 and 4.

Byte (x + 8) through (x + 15) (64 bits starting with the MSB) - First sample tag for pods 5 and 6.

Byte (x + 16) through (x + 23) (64 bits starting with the MSB) - Second sample tag for pods 5 and 6.

.
. .
.

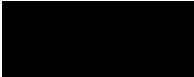
Byte (y) through (y+ 7) (64 bits starting with the MSB) - Last sample tag for pods 5 and 6.

Byte (y + 8) through (y + 15) (64 bits starting with the MSB) - First sample tag for pods 7 and 8.

Byte (y + 16) through (y + 23) (64 bits starting with the MSB) - Second sample tag for pods 7 and 8.

.
. .
.

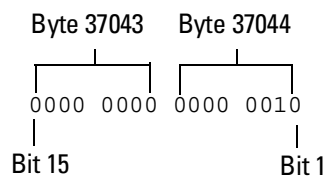
Byte (z) through (z+ 7) (64 bits starting with the MSB) - Last sample tag for pods 7 and 8.



Glitch Data Description

In the glitch mode, each pod has two bytes assigned to indicate where glitches occur in the acquired data. For each row of acquired data there will be a corresponding row of glitch data. The glitch data is organized in the same way as the acquired data. The glitch data is grouped in 18-byte rows for the HP 1660E/ES/EP. The number of rows is stored in byte positions 101 through 126. The starting byte of the glitch data is an absolute starting point regardless of the number of rows of acquired data.

A binary 1 in the glitch data indicates a glitch was detected. For example, if a glitch occurred on bit 1 of pod 8 in data row 1 of an HP 1660E/ES/EP, bytes 37043 and 37044 would contain:



Byte Position

	clock lines	Pod 8 ¹	Pod 7 ¹	pod 6 ²	pod 5 ²	pod 4 ³	pod 3 ³	pod 2	pod 1 ⁴
37041	2 bytes	2 bytes	2 bytes	2 bytes	2 bytes	2 bytes	2 bytes	2 bytes	2 bytes
37059	2 bytes	2 bytes	2 bytes	2 bytes	2 bytes	2 bytes	2 bytes	2 bytes	2 bytes
.
.
.
(x)	2 bytes	2 bytes	2 bytes	2 bytes	2 bytes	2 bytes	2 bytes	2 bytes	2 bytes

1 – unused in the HP 1661E/ES/EP, HP 1662E/ES/EP, and HP 1663E/ES/EP
 2 – also unused in the HP 1662E/ES/EP and HP 1663 E/ES/EP
 3 – also unused in the HP 1663E/ES/EP
 4 – The headings are not a part of the returned data.

SYSTem:SETup

Command :SYSTem:SETup <block_data>

The SYSTem:SETup command configures the logic analyzer module as defined by the block data sent by the controller. The length of the configuration data block can be up to 350,784 bytes in the HP 1660E/ES/EP-series logic analyzer.

There are six data sections which are always returned. These are the strings which would be included in the section header:

```
"CONFIG      "  
"DISPLAY1   "  
"BIG_ATTRIB "  
"RTC_INFO   "  
"SPA DATA  "  
"SPA VARS   "
```

Additionally, the following sections may also be included, depending on what's available:

```
"SYMBOLS A  "  
"SYMBOLS B  "  
"INVASM A   "  
"INVASM B   "  
"COMPARE    "
```

With the exception of the RTC_INFO section, the block data is not described. However, the RTC_INFO section contains the real-time clock time of the acquired data in the data block. This time information can be meaningful to some measurements.

SYSTem:SETup

<block_data>	<block_length_specifier><section>
<block_length_specifier>	#8<length>
<length>	The total length of all sections in byte format (must be represented with 8 digits)
<section>	<section_header><section_data>[<section_data>...]
<section_header>	16 bytes in the following format: 10 bytes for the section name, 1 byte reserved, 1 byte for the module ID code (32 for HP 1660E/ES/EP-series logic analyzers), 4 bytes for the length of section data in number of bytes. The RTC_INFO section is described in the "RTC_INFO Section Description."
<section_data>	Format depends on the section.

The total length of a section is 16 (for the section header) plus the length of the section data. So when calculating the value for <length>, don't forget to include the length of the section headers.

Example

OUTPUT XXX;"SETUP" <block_data>

Query

:SYSTem:SETup?

The SYSTem:SETup query returns a block of data that contains the current configuration to the controller.

Returned Format

[:SYSTem:SETup] <block_data><NL>

Example

See "Transferring the logic analyzer configuration" in Chapter 37, "Programming Examples" for an example.

RTC_INFO Section Description

The RTC_INFO section contains the real time of the acquired data. Because the time of the acquired data is important to certain measurements, this section describes how to find the real-time clock data.

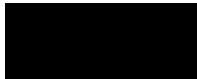
Because the number of sections in the SETUp data block depends on the logic analyzer configuration, the RTC_INFO section will not always be in the same location within the block. Therefore, the section must be found by name. Once the section is found, you can find the time by using the description in the following section:

```
#8<block_length>... [<section_name><section_length>
<section_data>]...
```

- <block_length> Total length of all sections
- <section_name> 10 bytes - Section name. "RTC_INFO space space"
- <section_length> 4 bytes - Length of section. 8 bytes, decimal, for RTC_INFO section.
- <section_data> 10 bytes - Contains the real-time clock data described as follows:

Byte Position

- 1 1 byte - Year. A decimal integer that, when added to 1990, defines the year. For example, if this byte has a decimal value of 2, the year is 1992.
- 2 1 byte - Month. An integer from 1 to 12.
- 3 1 byte - Day. An integer from 1 to 31.
- 4 1 byte - Unused
- 5 1 byte - Hour. An integer from 1 to 23.
- 6 1 byte - Minute. An integer from 1 to 59.
- 7 1 byte - Second. An integer from 1 to 59.
- 8 1 byte - Unused



Oscilloscope Commands

Oscilloscope Root Level
Commands



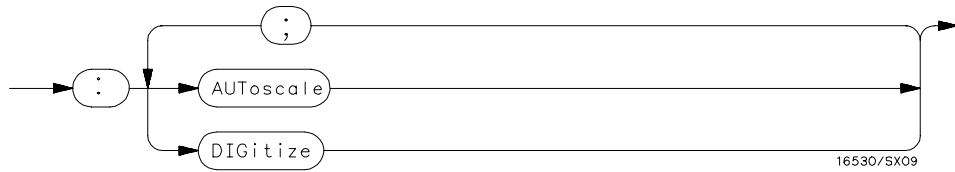
Introduction

Oscilloscope Root Level commands control the basic operation of the oscilloscope. Refer to figure 28-1 for the module level syntax command diagram. The Root Level commands are:

- AUToscale
- DIGitize

This chapter only applies to CS models.

Figure 28-1



Root Level Command Syntax Diagram

AUToscale

Command :AUToscale

The AUToscale command causes the oscilloscope to automatically select the vertical sensitivity, vertical offset, trigger source, trigger level, and timebase settings for optimum viewing of any input signals. The trigger source is the lowest numbered channel on which the trigger was found. If no trigger is found, the oscilloscope defaults to auto-trigger. The display window configuration is not altered by AUToscale.

Example OUTPUT XXX; " :AUTOSCALE "

To demonstrate a quick oscilloscope setup requires hardware. Use the AC CAL OUTPUT signal available at the rear panel of the card. The square wave put out by the AC CAL OUTPUT is normally used for calibration and probe compensation.

Connect the AC CAL OUTPUT signal from the rear panel output connector to CHAN 1, also on the rear panel. Ensure that the mainframe is connected to a controller. Enter the program listed on the next page and execute it.

The following program expects the oscilloscope to be connected to a signal.



Example

This program selects the oscilloscope in slot B, issues an autoscale command, waits 5 seconds for the oscilloscope to collect data, and then gets and prints the measurement.

```
10 OUTPUT XXX; ":SELECT 2"  
20 OUTPUT XXX; ":AUTOSCALE"  
25 WAIT 5  
30 DIM Me$(200)  
40 OUTPUT ; ":MEASURE:SOURCE CHANNEL1;ALL?"  
50 ENTER XXX;Me$  
60 PRINT Me$  
70 END
```

The three Xs (XXX) after the OUTPUT and ENTER statements in the above example refer to the device address required for programming over either HP-IB or RS-232-C. Refer to chapter 1, "Introduction to Programming" for information on initializing the interface.

For more information on the specific oscilloscope commands, refer to chapters 29 through 36 of this manual.

DIGitize

Command :DIGitize

The DIGitize command is used to acquire waveform data for transfer over HP-IB and RS-232-C. The command initiates Repetitive Run for the oscilloscope and the analyzer if it is grouped with the oscilloscope via Group Run. If a RUNtil condition has been specified in any module, the oscilloscope and the grouped analyzer acquire data until the RUNtil conditions have been satisfied.

The Acquire subsystem commands may be used to set up conditions such as acquisition type and average count for the DIGitize command. See the Acquire subsystem for the description of these commands.

When a count number in the average acquisition type has been specified, the oscilloscope and grouped analyzer acquire data until these conditions have been satisfied.

When both the RUNtil and the ACQUIRE:COUNT have been satisfied, the acquisition stops.

For faster data transfer over the interface bus, display a menu that has no waveforms on screen.

The DIGitize command is an overlap command, so ensure that all data has been acquired and stored in the channel buffers before executing any other commands. The MESE command and the MESR query may be used to check for run complete or a WAIT instruction may be inserted after the DIGitize command to ensure enough time for command execution.

Example

```
OUTPUT XXX; " :DIGITIZE "
```

See Also

Chapter 43, "Programming Examples," for an example using the DIGitize command.

 ACQuire Subsystem 

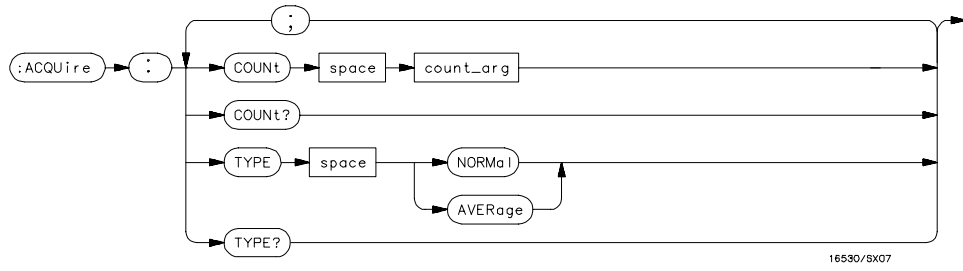
Introduction

The Acquire Subsystem commands are used to set up acquisition conditions for the DIGitize command of the oscilloscope system. The subsystem contains commands to select the type of acquisition and the number of averages to be taken if the average type is chosen. Refer to Figure 28-1 for the ACQUIRE Subsystem Syntax Diagram. The ACQUIRE Subsystem commands are:

- COUNT
- TYPE

This chapter applies only to CS models.

Figure 29-1



ACQuire Subsystem Syntax Diagram

Table 29-1

ACQuire Parameter Values

Parameter	Value
count_arg	{ 2 4 8 16 32 64 128 256 } The number of averages to be taken of each time point.

COUNT

Command :ACQuire:COUNT <count>

The COUNT command specifies the number of acquisitions for the running weighted average. The COUNT command is only available when the acquisition mode is AVERage. This command generates error 211 ("Legal command but Settings conflict") if Normal acquisition mode is specified.

<count> { 2 | 4 | 8 | 16 | 32 | 64 | 128 | 256 }

Example

OUTPUT XXX; ":ACQUIRE:COUNT 16"

Query :ACQuire:COUNT?

The COUNT query returns the last specified count.

Returned Format [:ACQuire:COUNT] <count><NL>

Example

OUTPUT XXX; ":ACQ:COUN? "

TYPE

Command :ACQuire:TYPE {NORMal | AVERAge}

The TYPE command selects the type of acquisition that is to take place when a DIGitize or STARt command is executed. One of two acquisition types may be chosen: the NORMal or AVERAge mode.

In the NORMal mode, with the ACCumulate command OFF, the oscilloscope acquires waveform data and then displays the waveform. When the oscilloscope makes a new acquisition, the previously acquired waveform is erased from the display and replaced by the newly acquired waveform. When the ACCumulate command is ON, the oscilloscope displays all the waveform acquisitions without erasing the previously acquired waveform.

In the AVERAge mode, the oscilloscope averages the data points on the waveform with previously acquired data. Averaging helps eliminate random noise from the displayed waveform. In this mode the ACCumulate command is OFF. When AVERAge mode is selected, the number of averages must also be specified using the COUNT command. Previously averaged waveform data is erased from the display and the newly averaged waveform is displayed.

Example

OUTPUT XXX; ":ACQUIRE:TYPE NORMAL"

Query :ACQuire:TYPE?

The TYPE query returns the last specified type.

Returned Format [:ACQuire:TYPE] {NORMal | AVERAge} <NL>

Example

OUTPUT XXX; ":ACQUIRE:TYPE?"



CHANnel Subsystem

Introduction

The Channel Subsystem commands control the channel display and the vertical axis of the oscilloscope. Each channel must be programmed independently for all offset, range, and probe functions. When ECL or TTL commands are executed, the vertical range, offset, and trigger levels are automatically set for optimum viewing. Refer to figure 30-1 for the CHANnel Subsystem Syntax Diagram. The CHANnel Subsystem commands are:

- COUPling
- ECL
- OFFSet
- PROBe
- RANGe
- TTL

This chapter applies only to CS models.

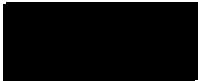
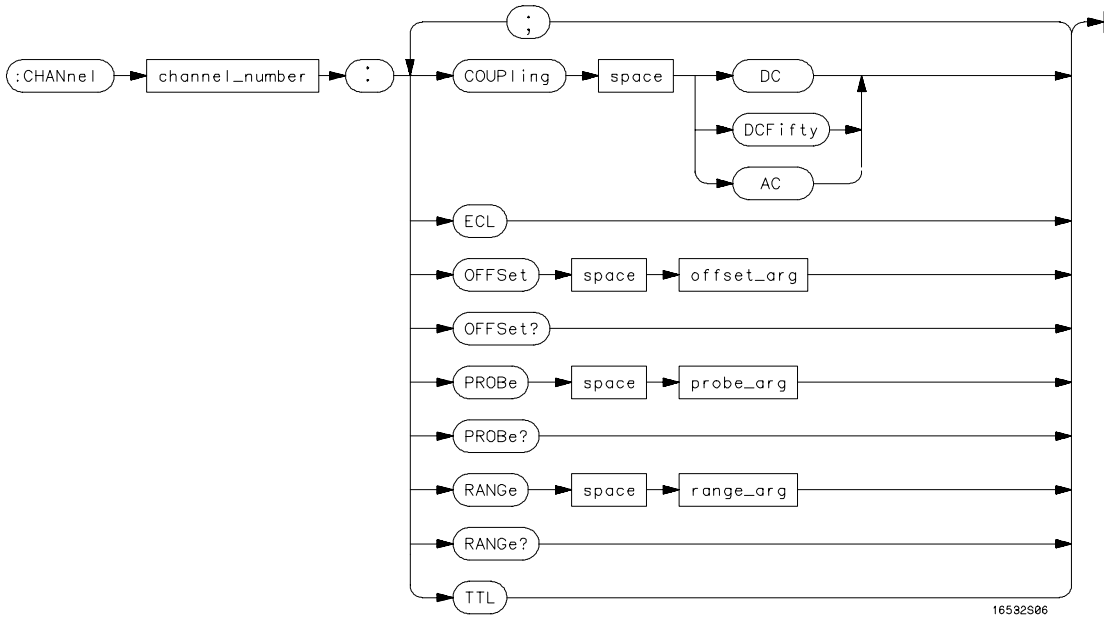


Figure 30-1



CHANnel Subsystem Syntax Diagram

Table 30-1

CHANnel Parameter Values

Parameter	Value															
channel_number	{1 2}															
offset_arg	a real number defining the voltage at the center of the display. The offset range is as follows (for a 1:1 probe setting):															
	<table border="1"> <thead> <tr> <th>Vertical Sensitivity</th> <th>Vertical Range</th> <th>Offset Voltage</th> </tr> </thead> <tbody> <tr> <td>4 mV - 100 mV/div</td> <td>16 mV - 400 mV</td> <td>±2 V</td> </tr> <tr> <td>>100 mV - 400 mV/div</td> <td>>400 mV - 1.6 V</td> <td>±10 V</td> </tr> <tr> <td>>400 mV - 2.5 V/div</td> <td>>1.6 V - 10 V</td> <td>±50 V</td> </tr> <tr> <td>>2.5 V - 10 V/div</td> <td>>10 V - 40 V</td> <td>±250 V</td> </tr> </tbody> </table>	Vertical Sensitivity	Vertical Range	Offset Voltage	4 mV - 100 mV/div	16 mV - 400 mV	±2 V	>100 mV - 400 mV/div	>400 mV - 1.6 V	±10 V	>400 mV - 2.5 V/div	>1.6 V - 10 V	±50 V	>2.5 V - 10 V/div	>10 V - 40 V	±250 V
Vertical Sensitivity	Vertical Range	Offset Voltage														
4 mV - 100 mV/div	16 mV - 400 mV	±2 V														
>100 mV - 400 mV/div	>400 mV - 1.6 V	±10 V														
>400 mV - 2.5 V/div	>1.6 V - 10 V	±50 V														
>2.5 V - 10 V/div	>10 V - 40 V	±250 V														
probe_arg	an integer from 1 through 1000															
range_arg	a real number from 16 mV to 40 V specifying vertical sensitivity.															

COUPling

Command

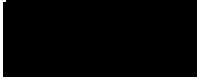
:CHANnel<N>:COUPling {DC|AC|DCFifty}

The COUPling command sets the input impedance for the selected channel. The choices are 1MΩ DC (DC), 1MΩ AC (AC), or 50 Ω DC (DCFifty).

<N> {1 | 2}

Example

```
OUTPUT XXX; ":CHANNEL1:COUPLING DC"
```



Query :CHANnel<N>:COUPling?

The COUPling query returns the current input impedance for the specified channel.

Returned Format [:CHANnel<N>:COUPling:] {DC|AC|DCFifty}<NL>

Example OUTPUT XXX; " :CHANNEL1:COUPLING? "

ECL

Command :CHANnel<N>:ECL

The ECL command sets the vertical range, offset, and trigger levels for the selected input channel for optimum viewing of ECL signals. ECL values are:

Range: 2.0 V (500 mV per division)

Offset: -1.3 V

Trigger level: -1.3 V

<N> {1|2}

Example OUTPUT XXX; " :CHANNEL1:ECL "

To return to "Preset User", change the CHANnel:RANGe, CHANnel:OFFSet, or TRIGGer:LEVel value.

OFFSet

Command :CHANnel<N>:OFFSet <value>

The OFFSet command sets the voltage that is represented at center screen for the selected channel. The allowable offset voltage values are shown in the table below. The table represents values for a Probe setting of 1:1. The offset value is recompensated whenever the probe attenuation factor is changed.

<N> { 1 | 2 }

<value> allowable offset voltage value shown in the table below.

Vertical Range	Offset Voltage
16 mV - 400 mV	±2 V
>400 mV - 1.6 V	±10 V
>1.6 V - 10 V	±50 V
>10 V - 40 V	±250 V

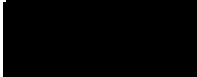
Example OUTPUT XXX; ":CHAN1:OFFS 1.5"

Query :CHANnel<N>:OFFSet?

The OFFSet query returns the current value for the selected channel.

Returned Format [:CHANnel<N>:OFFSet] <value><NL>

Example OUTPUT XXX; ":CHANNEL1:OFFSET?"



PROBe

Command :CHANnel<N>:PROBe <atten>

The PROBe command specifies the attenuation factor for an external probe connected to a channel. The command changes the channel voltage references such as range, offset, trigger level, and automatic measurements. The actual sensitivity is not changed at the channel input. The allowable probe attenuation factor is an integer from 1 to 1000.

<N> {1|2}

<atten> An integer from 1 to 1000

Example OUTPUT XXX; ":CHAN1:PROB 10"

Query :CHANnel<N>:PROBe?

The PROBe query returns the probe attenuation factor for the selected channel.

Returned Format [:CHANnel<N>:PROBe]<atten><NL>

Example OUTPUT XXX; ":CHANNEL1:PROBE?"

RANGe

Command :CHANnel<N>:RANGe <range>

The RANGe command defines the full-scale ($4 \times$ Volts/Div) vertical axis of the selected channel. The values for the RANGe command are dependent on the current probe attenuation factor for the selected channel. The allowable range for a probe attenuation factor of 1:1 is 16 mV to 40 V. For a larger probe attenuation factor, multiply the range limit by the probe attenuation factor.

<N> {1 | 2}

<range> 16 mV to 40 V for a probe attenuation factor of 1:1

Example

OUTPUT XXX;":CHANNEL1:RANGE 4.8"

Query :CHANnel<N>:RANGe?

The RANGe query returns the current range setting.

Returned Format [:CHANnel<N>:RANGe] <range><NL>

Example

OUTPUT XXX;":CHANNEL1:RANGE?"



TTL

Command :CHANnel<N>:TTL

The TTL command sets the vertical range, offset, and trigger level for the selected input channel for optimum viewing of TTL signals. TTL values are:

Range: 6.0 V (1.50 V per division)

Offset: 2.5 V

Trigger Level: 1.62 V

<N> {1 | 2}

Example

OUTPUT XXX; " :CHANNEL1:TTL "

To return to "Preset User" change the CHANnel:RANGe, CHANel:OFFSet, or TRIGGer:LEVel value.



DISPlay Subsystem

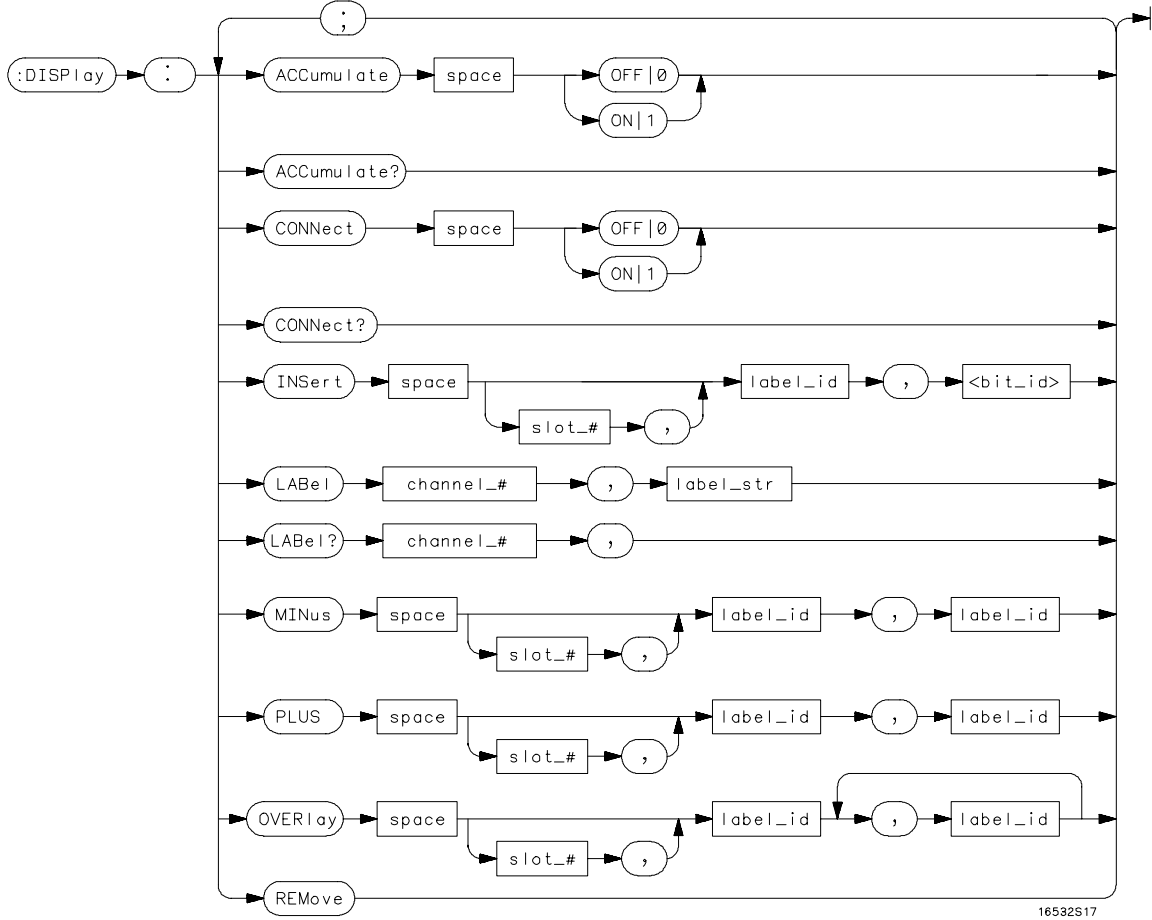
Introduction

The Display Subsystem is used to control the display of data from the oscilloscope. Refer to Figure 31-1 for the DISPLAY Subsystem Syntax Diagram. The DISPLAY Subsystem commands are:

- ACCumulate
- CONNect
- INSert
- LABel
- MINus
- OVERlay
- PLUS
- REMove

This chapter applies only to CS models.

Figure 31-1



DISPlay Subsystem Syntax Diagram

Table 31-1

DISPlay Parameter Values

Parameter	Value
slot_#	1 or 2 1=analyzer, 2=oscilloscope.
bit_id	an integer from 0 to 31.
channel_#	1 or 2.
label_str	up to five characters enclosed in single quotes making up a label name.
label_id	a string of 1 alpha and 1 numeric character for the oscilloscope, or 6 characters for the timing modules.

ACCumulate

Command

:DISPlay:ACCumulate { {ON|1} | {OFF|0} }

The ACCumulate command works in conjunction with the commands in the Acquisition Subsystem. In the Normal mode, the ACCumulate command turns infinite persistence on or off.

Example

OUTPUT XXX; " :DISPLAY:ACC ON"

Query

:DISPLAY:ACCumulate?

The ACCumulate query reports if accumulate is turned on or off.

Returned Format

[:DISPlay:ACCumulate] {1|0}<NL>

Example

OUTPUT XXX; " :DISPLAY:ACCUMULATE? "



CONNect

Command :DISPlay:CONNect {{ON|1}}|{{OFF|0}}

The CONNect command sets the Connect Dots mode. When ON, each displayed sample dot will be connected to the adjacent dot by a straight line. When OFF, only the sampling points will be displayed.

Example OUTPUT XXX; ":DISPLAY:CONNECT ON"

Query :DISPlay:CONNect?

Returned Format The CONNect query reports if connect is on or off.
[:DISPlay:CONNect] {1|0}<NL>

Example OUTPUT XXX; ":DISPLAY:CONNECT?"

INSert

Command :DISPlay:INSert {[2,]<label> | 1,<label>,<bit_id>}

The INSert command inserts waveforms into the current display. Time-correlated waveforms from the logic analyzer may be added to the current display. The waveforms are added just below any currently displayed signals. Only two oscilloscope waveforms can be displayed at any time.

The first parameter is optional when inserting an oscilloscope waveform. The parameter specifies the instrument from which the waveform is to be taken. If an instrument is not specified, the oscilloscope is assumed. The second parameter is the label of the waveform that is to be added to the current display. If you specify the waveform is from the analyzer by setting the first parameter to 1, then you must also specify which bit.

<label> string of 1 alpha and 1 numeric character enclosed by single quotes for oscilloscope waveforms or a string of up to 6 alphanumeric characters enclosed by single quotes for analyzer waveforms.

<bit-id> integer from 0 to 31

Example

```
OUTPUT XXX;" :DISPLAY:INSERT 'C1' "  
OUTPUT XXX;" :DISPLAY:INSERT 1, 'WAVE' ,10"
```

For a complete explanation of the label name and the <bit_id> for the logic analyzer, refer to chapter 15, "SFORmat Subsystem."



LABel

Command :DISPlay:LABel CHANnel<N>,<label_str>

The LABel command is used to assign a label string to an oscilloscope channel. For single channel traces, the label string (up to five characters) appears on the left of the waveform area of the display. Note that the label string cannot be used in place of the channel number when programming the oscilloscope module.

<N> {1|2}

<label_str> a string of up to five characters enclosed in single quotes

Example OUTPUT XXX;":DISPLAY:LABEL CHANNEL1,'CLK' "

Query :DISPlay:LABel? CHANnel<N>

The LABel query returns the label string assigned to the specified channel. If no label has been assigned, the default channel identifier (single character and single number) is returned.

Returned Format [:DISPlay:LABel] CHANnel<N>,<label_str><NL>

Example OUTPUT XXX;":DISPLAY:LABEL? CHANNEL2"

MINus

Command :DISPlay:MINus [<module_number> ,]<label> , <label>

The MINus command algebraically subtracts one channel from another and inserts the resultant waveform on the display. The first parameter is an optional module specifier, always 2 for the oscilloscope. The next two parameters are the labels of the waveforms selected to be subtracted. The label names are defined in the same manner as the INsert command.

You cannot subtract analyzer waveforms.

<module_number> Always 2

<label> string of 1 alpha and 1 numeric character enclosed by single quotes

Example

OUTPUT XXX; " :DISPLAY:MINUS 2 , 'C1' , 'C2' "

OVERlay

Command :DISPlay:OVERlay <label> , <label>

The OVERlay command overlays oscilloscope waveforms. The syntax parameters are the labels of the waveforms that are to be overlaid. A label may be used only once with each OVERlay command.

<label> string of 1 alpha and 1 numeric character enclosed by single quotes

Example

OUTPUT XXX; " :DISPLAY:OVERLAY 'C1' , 'C2' "

PLUS

Command :DISPlay:PLUS [<module_number>,]<label>,<label>

The PLUS command algebraically adds two channels and inserts the resultant waveform to the current display. The first parameter is an optional module specifier, always 2 for the oscilloscope. The next two parameters are the labels of the waveforms that are to be added.

<module_ Always 2
number>

<label> string of 1 alpha and 1 numeric character enclosed by single quotes

Example

OUTPUT XXX; ":DISPLAY:PLUS 2,'C1','C2' "

REMOve

Command :DISPlay:REMOve

The REMOve command removes all displayed waveforms from the current display.

Example

OUTPUT XXX; ":DISPLAY:REMOVE "



MARKer Subsystem

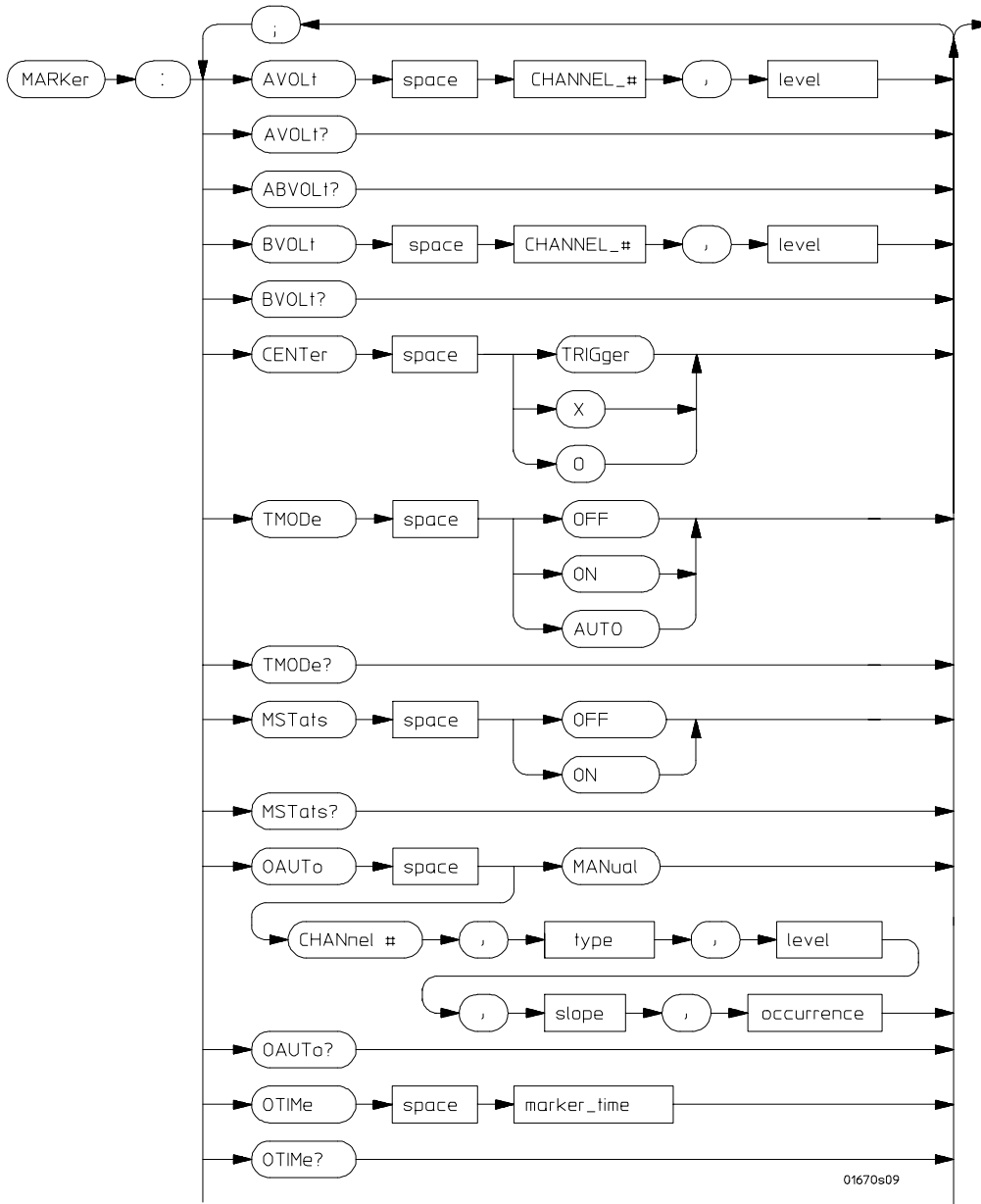
Introduction

The oscilloscope has four markers for making time and voltage measurement. These measurements may be made automatically or manually. Additional features include the run until time (RUNTil) mode and the ability to center on trigger or markers in the display area (CENTer) and . The RUNTil mode allows you to set a stop condition based on the time interval between the X marker and the O marker. When this condition is met, the oscilloscope will stop acquiring data. Refer to Figure 32-1 for the Marker Subsystem Syntax Diagram. The MARKer Subsystem commands are:

- AVOLt
- ABVOLT
- BVOLt
- CENTer
- MStats
- OAUTO
- OTIME
- RUNTil
- SHOW
- TAVERAGE
- TMAXimum
- TMINimum
- TMODE
- VMODE
- VOTime
- VXTime
- VRUNs
- XAUTO
- XTIME
- XOTime

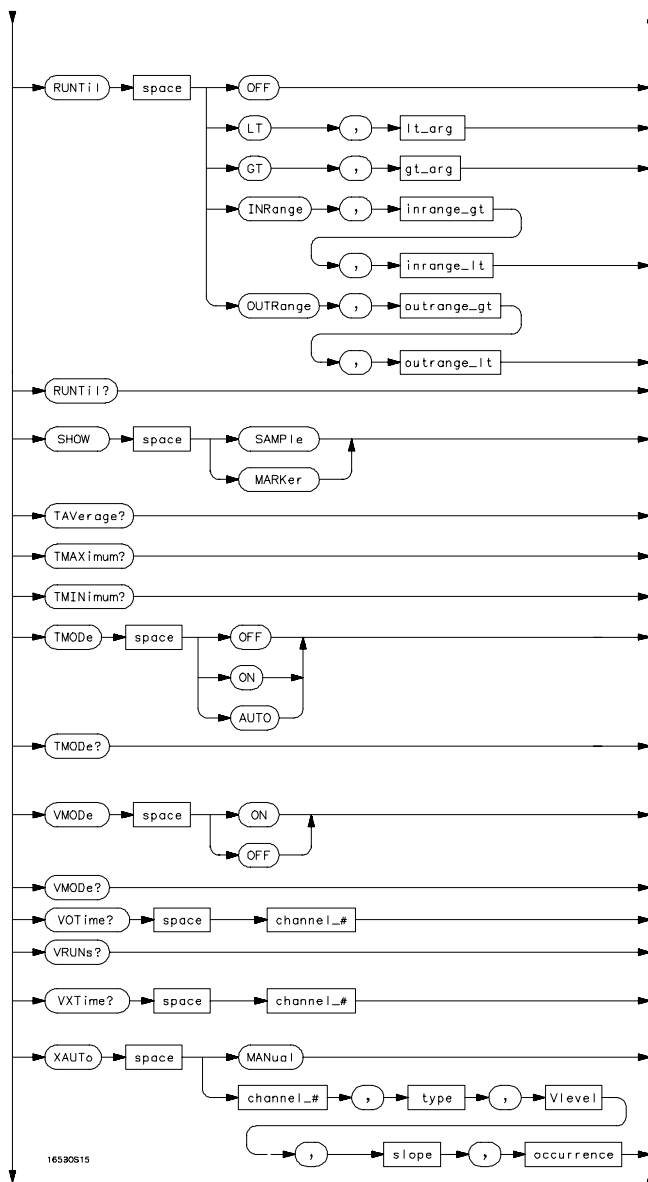
This chapter only applies to ES models.

Figure 32-1



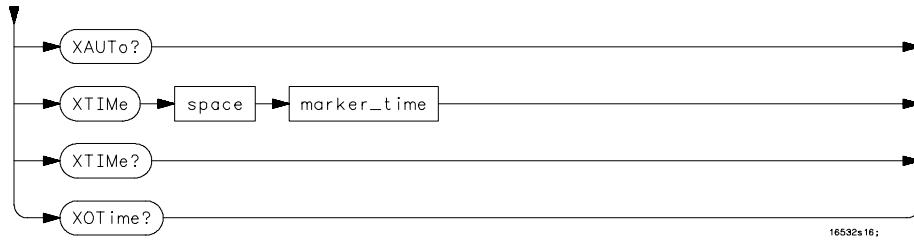
MARKer Subsystem Syntax Diagram

Figure 32-1 (continued)



MARKer Subsystem Syntax Diagram (continued)

Figure 32-1 (continued)



MARKer Subsystem Syntax Diagram (continued)

Table 32-1

MARKer Parameter Values

Parameter	Value
channel_#	{ 1 2 }
marker_time	time in seconds
lt_arg	time in seconds
gt_arg	time in seconds
inrange_gt	time in seconds
inrange_lt	time in seconds
level	level in volts
outrange_gt	time in seconds
outrange_lt	time in seconds
V level	percentage of waveform voltage level, ranging from 10 to 90 of the Vtop to Vbase voltage, or a specific voltage level
type	{ ABSolute PERCent }
slope	{ POSitive NEGative }
occurrence	integer from 1 to 100

AVOLt

Command :MARKer:AVOLt CHANnel<N>,<level>

The AVOLt command moves the A marker to the specified voltage on the indicated channel.

<N> {1|2}

<level> the desired marker voltage level, $\pm(2 \times \text{maximum offset})$

Example

OUTPUT XXX;" :MARKER:AVOLT CHANNEL1,2.75"

Query :MARKer:AVOLt?

The AVOLt query returns the current voltage and channel selection for the A marker.

Returned Format [:MARKer:AVOLt]CHANnel<N>,<level><NL>

Example

OUTPUT XXX;" :MARKER:AVOLT?"

ABVolt?	
Query	<code>:MARKer:ABVolt?</code>
	The ABVolt query returns the difference between the A marker voltage and the B marker voltage ($V_b - V_a$).
Returned Format	<code>[:MARKer:ABVolt]<level><NL></code>
<code><level></code>	level in volts of the B marker minus the A marker
<hr/>	
Example	<code>OUTPUT XXX; ":MARKER:ABVOLT?"</code>

BVOLT	
Command	<code>:MARKer:BVOLT CHANnel<N>, <level></code>
	The BVOLT command moves the B marker to the specified voltage on the indicated channel.
<code><N></code>	<code>{ 1 2 }</code>
<code><level></code>	the desired marker voltage level, $\pm(2 \times \text{maximum offset})$
<hr/>	
Example	<code>OUTPUT XXX; ":MARKER:BVOLT CHANNEL1, 2.75 "</code>
<hr/>	
Query	<code>:MARKer:BVOLT?</code>
	The BVOLT query returns the current voltage and channel selection for the B marker.
Returned Format	<code>[:MARKer:BVOLT]CHANnel<N>, <level><NL></code>
<hr/>	
Example	<code>OUTPUT XXX; ":MARKER:BVOLT?"</code>

CENTer

Command :MARKer:CENTer {TRIGger | X | O}

The CENTer command allows you to position the indicated marker (TRIGger, X, or O) at the center of the waveform area on the scope display. The CENTer command adjusts the timebase delay to cause the trace to be centered around the indicated marker (s/Div remains unchanged).

Example OUTPUT XXX; ":MARKER:CENTER X"

MSTats

Command :MARKer:MSTats {{ON|1} | {OFF|0}}

The MSTats command allows you to turn statistics ON or OFF in the auto marker mode. When statistics is turned on, Min X-O, Max X-O, and Mean X-O times are displayed on screen. When off, X-O, Trig-X, and Trig-O times will be displayed on screen.

Example OUTPUT XXX; ":MARKER:MSTATS ON"

Query :MARKer:MSTats?

Returned Format The MSTats query returns the current setting.
[:MARKer:MSTats]{1|0}<NL>

Example OUTPUT XXX; ":MARKER:MSTATS?"

OAUTO

Command :MARKer:OAUTO {MANual | CHANnel <N>, <type>, <level>, <slope>, <occurrence>}

The OAUTO command specifies the automatic placement specification for the O marker. The first parameter specifies if automarker placement is to be in the manual mode or on a specified channel. If a channel is specified, four other parameters must be included in the command syntax. The four parameters are marker type, level, the slope, and the occurrence count.

<N> {1 | 2}

<type> {ABSolute | PERCent}

<level> percentage of waveform voltage level, ranging from 10 to 90 of the Vtop to Vbase voltage or a voltage level

<slope> {POSitive | NEGative}

<occurrence> integer from 1 to 100

Example

OUTPUT XXX; ":MARKER:OAUTO CHANNEL1, PERCent, 50, POSITIVE, 5"

Query :MARKer:OAUTO?

The OAUTO query returns the current settings.

Returned Format [:MARKer:OAUTO] (MANual | CHANnel <N>, <type> <level>, <slope>, <occurrence>}<NL>

Example

OUTPUT XXX; ":MARKER:OAUTO?"

OTIME

Command :MARKer:OTIME <O_marker_time>

The OTIME command moves the O marker to the specified time with respect to the trigger marker.

<O_marker_time> time in seconds from trigger marker to O marker

Example

OUTPUT XXX; ":MARKER:OTIME 1E-6 "

Query :MARKer:OTIME?

The OTIME query returns the time in seconds between the O marker and the trigger marker.

Returned Format [:MARKer:OTIME]<O_marker_time><NL>

Example

OUTPUT XXX; ":MARKER:OTIME? "

RUNtil (Run Until)

Command :MARKer:RUNtil
 {OFF|LT,<time>|GT,<time>|INRange,<time>,<time>|
 OUTRange,<time>,<time>}

The RUNtil command allows you to set a stop condition based on the time interval between the X marker and the O marker. In repetitive runs, when the time specification is met, the oscilloscope stops acquiring data and the advisory "Stop condition satisfied" is displayed on screen.

<time> a real number specifying the time in seconds between the X and O markers

Example OUTPUT XXX; ":MARKER:RUNTIL LT,1MS"

Query :MARKer:RUNtil?

The RUNtil query will return the current Run Until Time X - O setting.

Returned Format [:MARKer:RUNtil] {OFF|LT,<time>|GT,<time>|INRange,<time>,<time>|OUTRange,<time>,<time>}<NL>

Example OUTPUT XXX; ":MARKER:RUNTIL?"

SHOW

Command :MARKer:SHOW {SAMPle|MARKer}

The SHOW command allows you to select either SAMPle rate or MARKer data (when markers are enabled) to appear on the oscilloscope menus above the waveform area.

The SAMPle rate or MARKer data appears on the channel, trigger, display, and auto-measure menus. Marker data is always present on the marker menu. While sample rate data is only present on the marker menu when time markers are turned off.

Example OUTPUT XXX; ":MARKER:SHOW MARKER"

TAVerage?

Query :MARKer:TAVerage?

The TAVerage query returns the average time between the X and O markers. If there is no valid data, the query returns 9.9E37.

Returned Format [:MARKER:TAVERAGE] <time_value><NL>
 <time_value> real number

Example OUTPUT XXX; ":MARKER:TAVERAGE?"

TMAXimum?

Query :MARKer:TMAXimum?

The TMAXimum query returns the value of the maximum time between the X and O markers. If there is no valid data, the query returns 9.9E37.

Returned Format [:MARKer:TMAXimum] <time_value><NL>
 <time_value> real number

Example OUTPUT XXX; ":MARKER:TMAXIMUM? "

TMINimum?

Query :MARKer:TMINimum?

The TMINimum query returns the value of the minimum time between the X and O markers. If there is no valid data, the query returns 9.9E37.

Returned Format [:MARKer:TMINimum] <time_value><NL>
 <time_value> real number

Example OUTPUT XXX; ":MARKER:TMINIMUM? "

TMODe

Command :MARKer:TMODe {OFF|ON|AUTO}

The TMODe command allows you to select the time marker mode. The choices are OFF, ON, and AUTO. When OFF, time marker measurements cannot be made. When the time markers are turned on, the X and O markers can be moved to make time and voltage measurements. The AUTO mode allows you to make automatic marker placements by specifying channel, slope, and occurrence count for each marker. Also the Statistics mode may be used when AUTO is chosen. Statistics mode allows you to make minimum, maximum, and mean time interval measurements from the X marker to the O marker.

Example OUTPUT XXX; ":MARKER:TMODe ON"

Query :MARKer:TMODe?

The TMODe query returns the current marker mode choice.

Returned Format [:MARKer:TMODe] <state><NL>
<state> {ON | OFF | AUTO}

Example OUTPUT XXX; ":MARKER:TMODe?"

For compatibility with older systems, the MMODe command/query functions the same as the TMODe command/query.

VMODe

Command :MARKer:VMODe {{OFF|0} | {ON|1}}

The VMODe command allows you to select the voltage marker mode. The choices are OFF or ON. When OFF, voltage marker measurements cannot be made. When the voltage markers are turned on, the A and B markers can be moved to make voltage measurements. When used in conjunction with the time markers (TMODe), both "delta t" and "delta v" measurements are possible.

Example OUTPUT XXX; ":MARKER:VMODe OFF"

Query :MARKer:VMODe?

The VMODe query returns the current voltage marker mode choice.

Returned Format [:MARKer:VMODe] <state><NL>

 <state> {1|0} 1 = on, 0 = off

Example OUTPUT XXX; ":MARKER:VMODe?"

VOTime?

Query :MARKer:VOTime? CHANNEL<N>

The VOTime query returns the current voltage level of the selected source at the O marker.

Returned Format [:MARKer:VOTime]<level><NL>

<N> { 1 | 2 }

<level> level in volts where the O marker crosses the waveform

Example

OUTPUT XXX; " :MARKER:VOTIME? CHANNEL1 "

For compatibility with older systems, the OVOLT query functions the same as the VOTime query.

VRUNs?

Query :MARKer:VRUNs?

The VRUNs query returns the number of valid runs and the total number of runs made. Valid runs are those where the edge search for both the X and O markers was successful, resulting in valid marker time measurement.

Returned Format [:MARKer:VRUNs] <valid_runs>,<total_runs><NL>

<valid_runs> positive integer

<total_runs> positive integer

Example

OUTPUT XXX; " :MARKER:VRUNs? "

VXTime?

Query :MARKer:XVOLT? CHANnel<N>

The VXTime query returns the current voltage level of the selected channel at the X marker.

Returned Format [:MARKer:VXTime]<level><NL>

<N> {1|2}

<level> level in volts where the X marker crosses the waveform

Example

OUTPUT XXX; ":MARKER:VXTIME? CHANNEL1"

For compatibility with older systems, the XVOLT query functions the same as the VXTime query.

XAUto

Command :MARKer:XAUto {MANual | CHANnel<N>, <type>, <level>, <slope>, <occurrence>}

The XAUto command specifies the automatic placement specification for the X marker. The first parameter specifies if automarker placement is to be in the Manual mode or on a specified channel. If a channel is specified, four other parameters must be included in the command syntax. The four parameters are marker type, level, slope, and the occurrence count.

<N> {1|2}

<type> {ABSolute | PERCent}

<level> percentage of waveform voltage level, ranging from 10 to 90 of the Vtop to Vbase voltage or a voltage level

<slope> {POSitive | NEGative}

<occurrence> integer from 1 to 100

Example

OUTPUT XXX; ":MARKER:XAUto CHANNEL1,ABS,4.75,POSITIVE,5"

Query :MARKer:XAUto?

The XAUto query returns the current settings.

Returned Format [:MARKer:XAUto] {MANual | CHANnel<N>, <type>, <level>, <slope>, <occurrence>}<NL>

Example

OUTPUT XXX; ":MARKER:XAUto?"

XOTime?

Query :MARKer:XOTime?

The XOTime query returns the time in seconds from the X marker to the O marker. If data is not valid, the query returns 9.9E37.

Returned Format [:MARKer:XOTime]<time><NL>
 <time> real number

Example OUTPUT XXX; " :MARKER:XOTIME?"

XTIME

Command :MARKer:XTIME <X_marker_time>

The XTIME command moves the X marker to the specified time with respect to the trigger marker.

<X_marker_time> time in seconds from trigger marker to X marker

Example OUTPUT XXX; " :MARKER:XTIME 1E-6"

Query :MARKer:XTIME?

The XTIME query returns the time in seconds between the X marker and the trigger marker.

Returned Format [:MARKer:XTIME]<X_marker_time><NL>

Example OUTPUT XXX; " :MARKER:XTIME?"



MEASure Subsystem

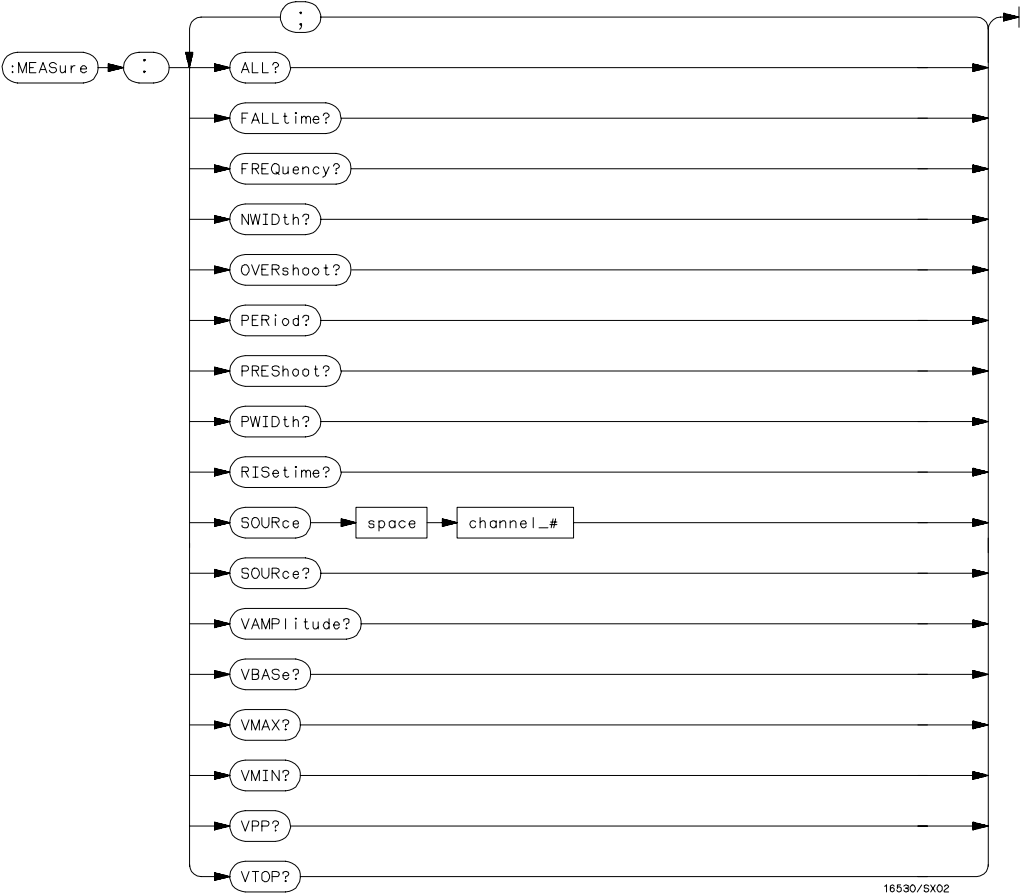
Introduction

The commands in the Measure Subsystem are used to make automatic parametric measurements on oscilloscope waveforms. Except for SOURce, no commands in the MEASure subsystem set values. The MEASure subsystem commands are:

- ALL
- FALLtime
- FREQuency
- NWIDth
- OVERshoot
- PERiod
- PREShoot
- PWIDth
- RISetime
- SOURce
- VAMPLitude
- VBASE
- VMAX
- VMIN
- VPP
- VTOP

This chapter applies only to ES models.

Figure 33-1



MEASure Subsystem Syntax Diagram

Table 33-1

MEASure Parameter Values

Parameter	Value
channel_#	{ 1 2 }

ALL?

Query :MEASure:[SOURce CHANnel<N>;]ALL?

The ALL query makes a set of measurements on the displayed waveform using the selected source.

<N> {1|2}

Returned Format [:MEASure:ALL PERiod] <real number>;
[RISetime] <real number>;
[FALLtime] <real number>;
[FREQuency] <real number>;
[PWIDth] <real number>;
[NWIDth] <real number>;
[VPP] <real number>;
[VAMPLitude] <real number>;
[PREShoot] <real number>;
[OVERshoot] <real number><NL>

Example

OUTPUT XXX;":MEASURE:SOURCE CHANNEL1;ALL?"

If a parameter cannot be measured, the instrument responds with 9.9E37.

FALLtime?

Query :MEASure:[SOURce CHANnel<N>;]FALLtime?

The FALLtime query makes a fall time measurement on the selected channel. The measurement is made between the 90% to the 10% voltage point of the first falling edge displayed on screen. If a parameter cannot be measured, the instrument responds with 9.9E37.

Returned Format [:MEASure:FALLtime] <value><NL>

<N> {1|2}

<value> time in seconds between the 90% and 10% voltage points of the first falling edge displayed on the screen

Example OUTPUT XXX; ":MEASURE:SOUR CHAN2;FALLTIME?"

FREQuency?

Query :MEASure:[SOURce CHANnel<N>;]FREQuency?

The FREQuency query makes a frequency measurement on the selected channel. The measurement is made using the first complete displayed cycle at the 50% voltage level. If a parameter cannot be measured, the instrument responds with 9.9E37.

Returned Format [:MEASure:FREQuency] <value><NL>

<N> {1|2}

<value> frequency in Hertz

Example OUTPUT XXX; ":MEASURE:SOUR CHAN1;FREQ?"

NWIDth?

Query :MEASure:[SOURce CHANnel<N>;]NWIDth?

The NWIDth query makes a negative width time measurement on the selected channel. The measurement is made between the 50% points of the first falling and the next rising edge displayed on screen. If a parameter cannot be measured, the instrument responds with 9.9E37.

Returned Format [:MEASure:NWIDth] <value><NL>

<N> {1|2}

<value> negative pulse width in seconds

Example

OUTPUT XXX;":MEASURE:SOURCE CHAN2;NWID?"

OVERshoot?

Query :MEASure:[SOURce CHANnel<N>;]OVERshoot?

The OVERshoot query makes an overshoot measurement on the selected channel. The measurement is made by finding a distortion following the first major transition. The result is the ratio of OVERshoot to VAMPLitude. If either cannot be measured, the instrument responds with 9.9E37.

Returned Format [:MEASure:OVERshoot] <value><NL>

<N> {1|2}

<value> ratio of OVERshoot to VAMPLitude

Example

OUTPUT XXX;":MEASURE:SOURCE CHAN1;OVER?"

PERiod?

Query :MEASure:[SOURce CHANnel<N>;]PERiod?

The PERiod query makes a period measurement of the first complete cycle displayed on the selected channel at the 50% level. The measurement is equivalent to the inverse of the frequency. If a parameter cannot be measured, the instrument responds with 9.9E37.

Returned Format [:MEASure:PERiod] <value><NL>

<N> {1|2}

<value> waveform period in seconds

Example

OUTPUT XXX; ":MEASURE:SOURCE CHANNEL1;PERIOD?"

PREShoot?

Query :MEASure:[SOURce CHANnel<N>;]PREShoot?

The PREShoot query makes the preshoot measurement on the selected channel. The measurement is made by finding a distortion which precedes the first major transition on screen. The result is the ratio of PREshoot to VAMPLitude. If a parameter cannot be measured, the instrument responds with 9.9E37.

Returned Format [:MEASure:PREShoot] <value><NL>

<N> {1|2}

<value> ratio of PREShoot to VAMPLitude

Example

OUTPUT XXX; ":MEASURE:SOURCE CHANNEL2;PRES?"

PWIDth?

Query `:MEASure:[SOURce CHANnel<N>;]PWIDth?`

The PWIDth query makes a positive pulse width measurement on the selected channel. The measurement is made by finding the time difference between the 50% points of the first rising and the next falling edge displayed on screen. If a parameter cannot be measured, the instrument responds with 9.9E37.

Returned Format `[:MEASure:PWIDth] <value><NL>`

`<N> {1|2}`

`<value>` positive pulse width in seconds

Example

`OUTPUT XXX; ":MEASURE:SOURCE CHANNEL2;PWIDTH?"`

RISetime?

Query `:MEASure:[SOURce CHANnel<N>;]RISetime?`

The RISetime query makes a risetime measurement on the selected channel by finding the 10% and 90% voltage levels of the first rising edge displayed on screen. If a parameter cannot be measured, the instrument responds with 9.9E37.

Returned Format `[:MEASure:RISetime] <value><NL>`

`<N> {1|2}`

`<value>` risetime in seconds

Example

`OUTPUT XXX; ":MEASURE:SOUR CHAN1;RISETIME?"`

SOURce

Command :MEASure:SOURce CHANnel<N>

The SOURce command specifies the source to be used for subsequent measurements. If the source is not specified, the last waveform source is assumed.

<N> {1 | 2}

Example

OUTPUT XXX; ":MEASURE:SOURCE CHAN1 "

Query :MEASure:SOURce?

The SOURce query returns the presently specified channel.

Returned Format [:MEASure:SOURce] CHANnel<N><NL>

Example

OUTPUT XXX; ":MEASURE:SOURCE?"

VAMPlitude?

Query :MEASure:[SOURce CHANnel<N>;]VAMPlitude?

The VAMPlitude query makes a voltage measurement on the selected channel. The measurement is made by finding the relative maximum (VTOP) and minimum (VBASe) points on screen. If a parameter cannot be measured, the instrument responds with 9.9E37.

Returned Format [:MEASure:VAMPlitude] <value><NL>

<N> {1|2}

<value> difference between top and base voltage

Example

OUTPUT XXX; ":MEASURE:SOURCE CHANNEL2;VAMP?"

VBASe?

Query :MEASure:[SOURce CHANnel<N>;]VBASe?

The VBASe query returns the base voltage (relative minimum) of a displayed waveform. The measurement is made on the selected source. If a parameter cannot be measured, the instrument responds with 9.9E37.

Returned Format [:MEASure:VBASe] <value><NL>

<N> {1|2}

<value> voltage at base (relative minimum) of selected waveform

Example

OUTPUT XXX; ":MEASURE:SOURCE CHAN1;VBAS?"

VMAX?

Query :MEASure:[SOURce CHANnel<N>;]VMAX?

The VMAX query returns the absolute maximum voltage of the selected source. If a parameter cannot be measured, the instrument responds with 9.9E37.

Returned Format [:MEASure:VMAX] <value><NL>

<N> {1|2}

<value> maximum voltage of selected waveform

Example

OUTPUT XXX; ":MEASURE:SOURCE CHAN2;VMAX?"

VMIN?

Query :MEASure:[SOURce CHANnel<N>;]VMIN?

The VMIN query returns the absolute minimum voltage present on the selected source. If a parameter cannot be measured, the instrument responds with 9.9E37.

Returned Format [:MEASure VMIN] <value><NL>

<N> {1|2}

<value> minimum voltage of selected waveform

Example

OUTPUT XXX; ":MEASURE:SOURCE CHAN1;VMIN?"

VPP?

Query :MEASure:[SOURce CHANnel<N>;]VPP?

The VPP query makes a peak-to-peak voltage measurement on the selected source. The measurement is made by finding the absolute maximum (VMAX) and minimum (VMIN) points on the displayed waveform. If a parameter cannot be measured, the instrument responds with 9.9E37.

Returned Format [:MEASure:VPP]<value><NL>

<N> {1|2}

<value> peak-to-peak voltage of selected waveform

Example

OUTPUT XXX;":MEASURE:SOURCE CHAN1;VPP?"

VTOP?

Query :MEASure:[SOURce CHANnel<N>;]VTOP?

The VTOP query returns the voltage at the top (relative maximum) of the waveform on the selected source.

Returned Format [:MEASure:VTOP] <value><NL>

<N> {1|2}

<value> voltage at the top (relative maximum) of the selected waveform

Example

OUTPUT XXX;":MEASURE:SOURCE CHAN2;VTOP?"



TIMEbase Subsystem

Introduction

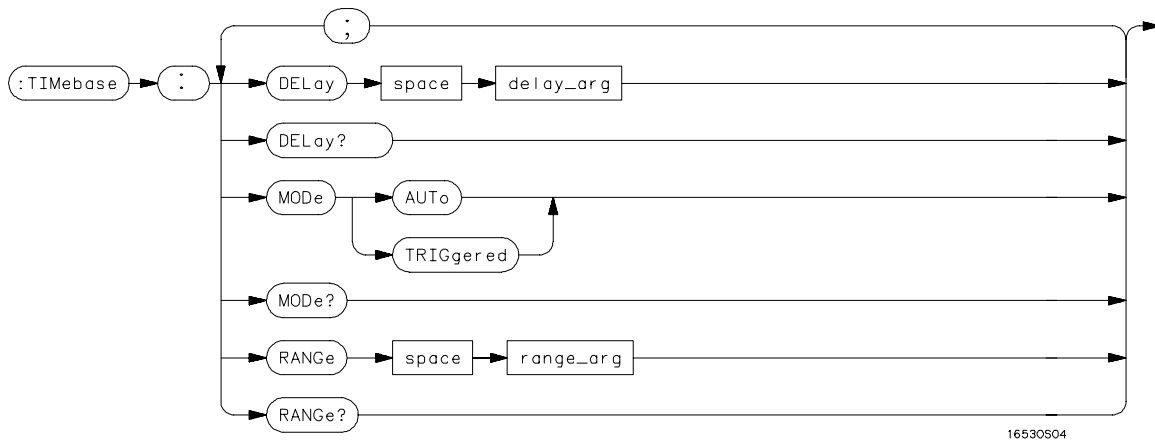
The commands of the TIMEbase Subsystem control the Timebase, Trigger Delay Time, and the Timebase Mode. If TRIGgered mode is to be used, ensure that the trigger specifications of the Trigger Subsystem have been set.

The commands of the TIMEbase subsystem are:

- DELay
- MODe
- RANGe

This chapter applies only to CS models.

Figure 34-1



TIMEbase Subsystem Syntax Diagram

Table 34-1

TIMEbase Parameter Values

Parameter	Value
delay_arg	delay time in seconds, from -2500 seconds through +2500 seconds.
range_arg	a real number from 1 ns through 5 s

DElay

Command :TIMEbase:DElay <delay_time>

The DElay command sets the time between the trigger and the center of the screen. The full range is available for panning the waveform when acquisition is stopped.

<delay_time> delay time in seconds, from -2500 seconds through +2500 seconds.

Example

OUTPUT XXX; ":TIM:DEL 2US "

Query :TIMEbase:DElay?

The DElay query returns the current delay setting.

Returned Format [:TIMEbase DElay] <delay_time><NL>

Example

OUTPUT XXX; ":TIM:DEL?"

MODE

Command :TIMEbase:MODE {TRIGgered|AUTO}

The MODE command sets the oscilloscope timebase to either Auto or Triggered mode. When the AUTO mode is chosen, the oscilloscope waits approximately 50 ms for a trigger to occur. If a trigger is not generated within that time, then auto trigger is executed. If a signal is not applied to the input, a baseline is displayed. If there is a signal at the input and the specified trigger conditions have not been met within 50 ms, the waveform display will not be synchronized to a trigger.

When the TRIGgered mode is chosen, the oscilloscope waits until a trigger is received before data is acquired. The TRIGgered mode should be used when the trigger source signal has less than a 20-Hz repetition rate, or when the trigger events counter is set so that the number of trigger events would not occur before 50 ms.

The Auto-Trig On field in the trigger menu is the same as the AUTO mode over HP-IB or RS-232-C. The TRIGgered command is the same as the Auto-Trig Off on the front panel.

Example OUTPUT XXX; ":TIM:MODE AUTO"

Query :TIMEbase:MODE?

Returned Format The MODE query returns the current Timebase mode.
 [:TIMEbase:MODE] {AUTO|TRIGgered}<NL>

Example OUTPUT XXX; ":TIMEbase:MODE?"

RANGe

Command :TIMEbase:RANGe <range>

The RANGe command sets the full-scale horizontal time in seconds. The RANGe value is ten times the value in the s/Div field.

<range> time in seconds

Example

OUTPUT XXX; " :TIMEBASE:RANGE 2US "

Query :TIMEbase:RANGe?

The RANGe query returns the current setting.

Returned Format [:TIMEbase:RANGe] <range><NL>

Example

OUTPUT XXX; " :TIMEBASE:RANGE? "



TRIGger Subsystem

Introduction

The commands of the Trigger Subsystem set all the trigger conditions necessary for generating a trigger for the oscilloscope. Many of the commands in the Trigger subsystem may be used in either the EDGE or the PATtern trigger mode. If a command is a valid command for the chosen trigger mode, then that setting will be accepted by the oscilloscope. If the command is not valid for the trigger mode, an error will be generated. None of the commands of this subsystem (except Mode) are used in conjunction with Immediate trigger mode.

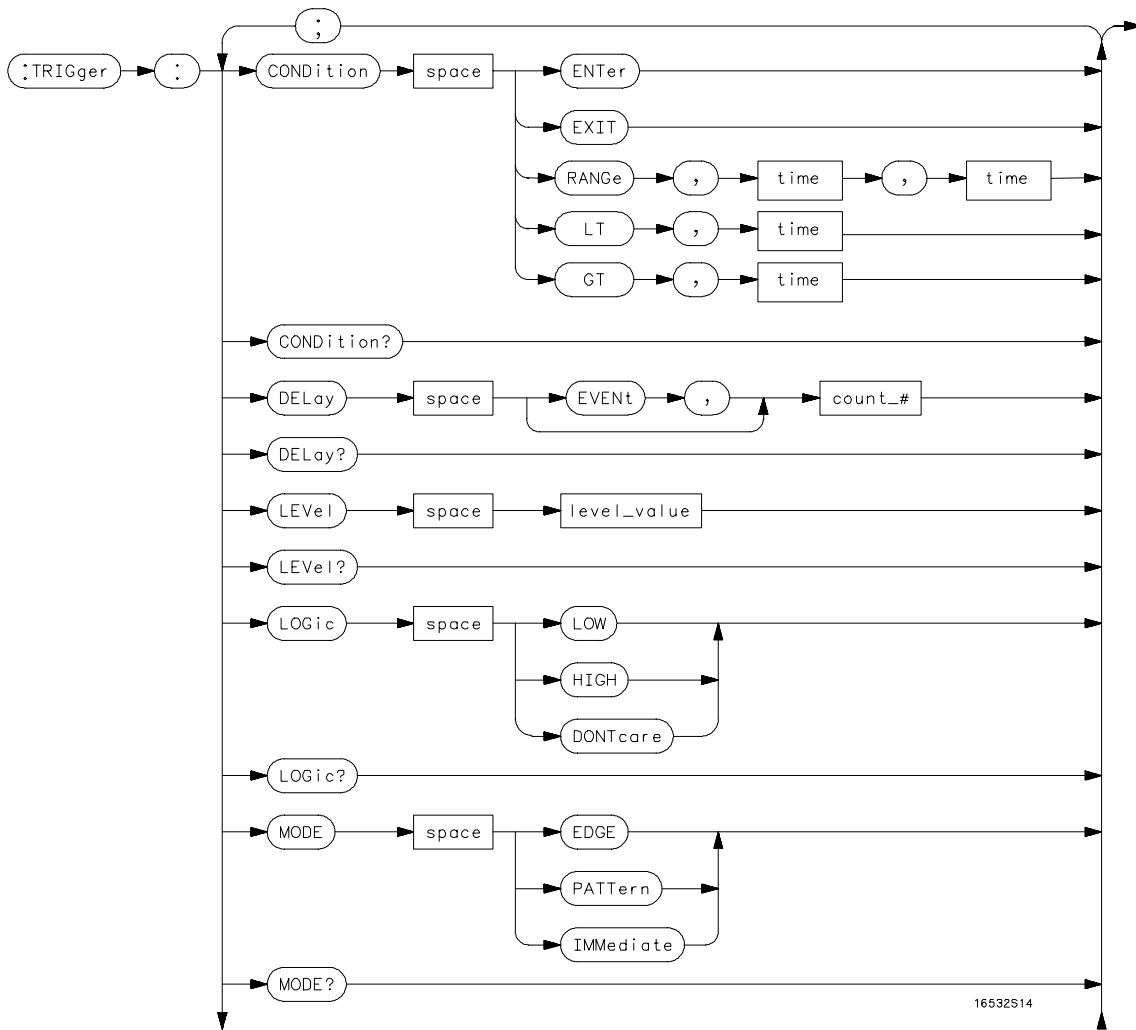
See Figure 35-1 for the TRIGger Subsystem Syntax Diagram.

The commands of the TRIGger subsystem are:

- CONDition
- DELay
- LEVel
- LOGic
- MODE
- PATH
- SLOPe
- SOURce

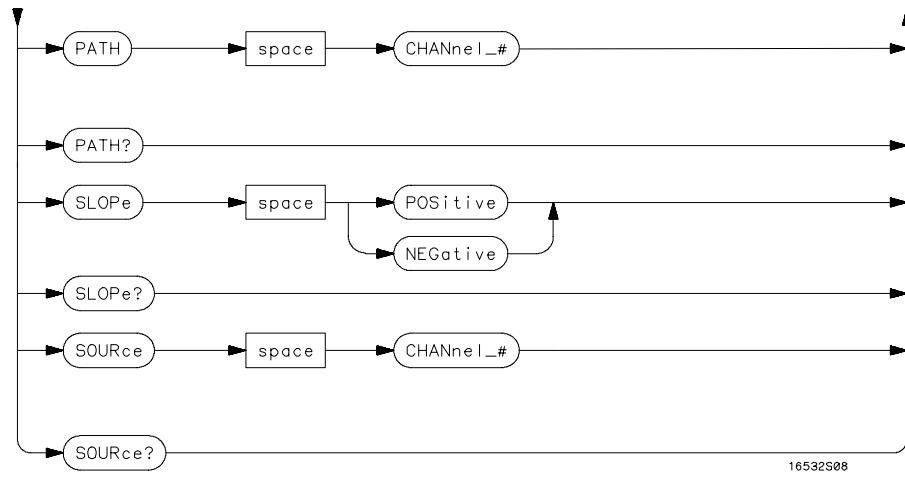
This chapter applies only to ES models.

Figure 35-1



TRIGger Subsystem Syntax Diagram

Figure 35-1 (continued)



TRIGger Subsystem Syntax Diagram (continued)

Table 35-1

TRIGger Parameter Values

Parameter	Value
channel_#	An integer from 1 to 2
count_#	an integer from 1 through 32000
level_value	a real number from -6.0 V to +6.0 V
time	a real number from 20 ns through 160 ms

CONDition

Command :TRIGger:[MODE PATtern:] CONDition {ENTer|EXIT|
GT,<time>|LT,<time>|RANGe,<time>,<time>}

The CONDition command specifies if a trigger is to be generated on entry (ENTer) to a specific logic pattern, when exiting (EXIT) the specified pattern, or if a specified pattern duration (LT, GT, RANGe) is met. The specified pattern is defined by using the LOGic command.

When ENTer is chosen, the oscilloscope will trigger on the first transition that makes the pattern specification true for every input the number of times specified by the trigger event count (DELAY command).

When EXIT is selected, the oscilloscope will trigger on the first transition that causes the pattern specification to be false after the pattern has been true for the number of times specified by the trigger event count (DELAY command).

When RANGe is selected, the oscilloscope will trigger on the first transition that causes the pattern specification to be false, after the pattern has been true for the number of times specified by the trigger event count (DELAY command). The first event in the sequence will occur when the specified pattern is true for a time greater than that indicated by the first duration term, and less than that indicated by the second duration term. All other pattern true occurrences in the event count are independent of the pattern duration range time.

When GT (greater than) is selected, the oscilloscope will trigger on the first transition that causes the pattern specification to be false, after the pattern has been true for the number of times specified by the trigger event count (DELAY command). The first event in the sequence will occur when the specified pattern is true for a time greater than that indicated by the trigger specification. All other pattern true occurrences in the event count are independent of the pattern duration time.

TRIGger Subsystem CONDition

When LT (less than) is selected, the oscilloscope will trigger on the first transition that causes the pattern specification to be false, after the pattern has been true for the number of times specified by the trigger event count (DELAY command). The first event in the sequence will occur when the specified pattern is true for a time less than that indicated by the trigger specification. All other pattern true occurrences in the event count are independent of the pattern duration time.

<time> real number between 20 ns and 160 ms

Example

```
OUTPUT XXX; ":TRIG:COND ENT"
```

The oscilloscope cannot be programmed for a pattern duration (GT, LT, or RANge) trigger if it is being armed by another module via Group Run or Arm In.

Query

```
:TRIGger:CONDition?
```

The CONDition query returns the present condition.

Returned Format

```
[ :TRIGger CONDition ]  
{ ENTer | EXIT | GT, <time> | LT, <time> | RANge, <time>, <time> } <NL>
```

Example

```
OUTPUT XXX; ":TRIG:COND?"
```

DElay

Command :TRIGger:DElay [EVENT,]<count>

The DElay command is used to specify the number of events at which trigger occurs. The time delay (see TIME:DElay) is counted after the events delay. The DElay command cannot be used in the IMMEDIATE trigger mode.

In pattern mode, the DElay value corresponds to the Count field displayed on the TRIGger menu.

<count> integer from 1 to 32000

Example OUTPUT XXX; ":TRIGGER:DELAY 5"

Query :TRIGger:DElay?

The DElay query returns the current trigger events count.

Returned Format [:TRIGger:DElay] <count><NL>

Example OUTPUT XXX; ":TRIG:DEL?"

LEVel

Command

For EDGE trigger mode:

```
:TRIGger:[MODE EDGE:SOURce CHANnel<N>;]  
LEVel<value>
```

For PATTErn trigger mode:

```
:TRIGger:[MODE PATTErn:PATH CHANnel<N>;]  
LEVel<value>
```

The LEVel command sets the trigger level voltage for the selected source or path. This command cannot be used in the IMMEDIATE trigger mode. In EDGE trigger mode, the SOURce command is used; in PATTErn mode, the trigger PATH is used for the trigger level source. The LEVel command in PATTErn trigger mode sets the high/low threshold for the pattern.

<N> {1|2}

<value> Trigger level in volts

Example

For EDGE trigger mode:

```
OUTPUT XXX;":TRIG:MODE EDGE;SOUR CHAN1;LEV 1.0"
```

For PATTErn trigger mode:

```
OUTPUT XXX;":TRIG:MODE PATTERN;PATH CHANNEL2;LEVEL 1.0"
```

Query

For EDGE trigger mode:

```
:TRIGger:[MODE EDGE;SOURce CHANnel<N>;]LEVel?
```

For PATtern trigger mode:

```
:TRIGger:[MODE PATtern;PATH CHANnel<N>;]LEVel?
```

Returned Format

The LEVel query returns the trigger level for the current path or source.

```
[ :TRIGger:LEVel ] <value><NL>
```


Example

For EDGE trigger mode:

```
OUTPUT XXX; ":TRIGGER:SOURCE CHANNEL1;LEVEL?"
```

For PATtern trigger mode:

```
OUTPUT XXX; ":TRIGGER:PATH CHANNEL1;LEVEL?"
```



LOGic

Command :TRIGger:[MODE PATtern;PATH CHANnel<N>;] LOGic
 {HIGH|LOW|DONTcare}

The LOGic command sets the logic for each trigger path in the PATtern trigger mode. The choices are HIGH, LOW, and DONTcare. The trigger level set by the LEVel command determines logic high and low threshold levels. Any voltage higher than the edge trigger level is considered a logic high for that trigger path; any voltage lower than the trigger level is considered a logic low for that trigger path.

<N> {1|2}

Example OUTPUT XXX;":TRIG:PATH CHAN1;LOG HIGH"

Query :TRIGger:LOGic?

The LOGic query returns the current logic of the previously selected trigger or path.

Returned Format [:TRIGger:LOGic] {HIGH|LOW|DONTcare}<NL>

Example OUTPUT XXX;":TRIG:MODE PATT;PATH CHAN1;LOG?"

MODE

Command :TRIGger:MODE {EDGE|PATtern|IMMediate}

The MODE command allows you to select the trigger mode for the oscilloscope. In the IMMediate trigger mode, the oscilloscope goes to a freerun mode and does not wait for a trigger. Generally, the IMMediate mode is used when correlating measurements with the analyzer.

In EDGE trigger mode, the oscilloscope triggers on an edge of a waveform, specified by the SOURce, DELay, LEVel, and SLOPe commands. If a source is not specified, then the current source is assumed.

In PATtern trigger mode, the oscilloscope triggers when entering or exiting a specified pattern of the two internal channels and external trigger. The pattern is generated using the CONDition, DELay, LEVel, LOGic and PATH commands. The CONDition command allows the oscilloscope to trigger when entering the specified pattern or exiting the pattern. The DELay value corresponds to the Count field displayed on the TRIGger menu. The LOGic command defines the pattern. The PATH command is used to change the trigger pattern and level. The path consists of two channels.

Example

OUTPUT XXX; ":TRIGGER:MODE PATTERN"

Query :TRIGger:MODE?

The MODE query returns the current trigger mode selection.

Returned Format [:TRIGger:MODE] {EDGE|PATtern|IMMediate}<NL>

Example

OUTPUT XXX; ":TRIGGER:MODE?"

PATH

Command :TRIGger:[MODE PATtern;]PATH CHANnel<N>

The PATH command is used to select a trigger path for the subsequent LOGic and LEVel commands. This command can only be used in the PATtern trigger mode.

<N> {1|2}

Example

OUTPUT XXX;":TRIGGER:PATH CHANNEL1"

Query :TRIGger:PATH?

The PATH query returns the current trigger path.

Returned Format [:TRIGger PATH] CHANnel<N><NL>

Example

OUTPUT XXX;":TRIGGER:PATH?"

SLOPe

Command :TRIGger:[MODE EDGE;SOURce CHANnel<N>;]SLOPe
 {POSitive|NEGative}

The SLOPe command selects the trigger slope for the specified trigger source. This command can only be used in the EDGE trigger mode.

<N> {1|2}

Example

OUTPUT XXX;":TRIG:SOUR CHAN1;SLOP POS"

Query :TRIGger:SLOPe?

Returned Format The SLOPe query returns the slope of the current trigger source.
 [:TRIGger:SLOPe] {POSitive|NEGative}<NL>

Example OUTPUT XXX; ":TRIG:SOUR CHAN1;SLOP?"

SOURce

Command :TRIGger:[MODE EDGE;]SOURce CHANnel<N>

The SOURce command is used to select the trigger source and is used for any subsequent SLOPe and LEVel commands. This command can only be used in the EDGE trigger mode. It is the equivalent to the PATH command for the PATTeRn trigger mode.

<N> {1|2}

Example OUTPUT XXX; ":TRIG:SOUR CHAN1"

Query :TRIGger:SOURce?

Returned Format The SOURce query returns the current trigger source.
 [:TRIGger:SOURce] CHANnel<N><NL>

Example OUTPUT XXX; ":TRIGGER:SOURCE?"



WAVEform Subsystem

Introduction

The commands of the Waveform subsystem are used to transfer waveform data from the oscilloscope to a controller. The waveform record is actually contained in two portions; the waveform data and preamble. The waveform data is the actual data acquired for each point when a DIGitize command is executed. The preamble contains the information for interpreting waveform data. Data in the preamble includes number of points acquired, format of acquired data, average count, and the type of acquired data. The preamble also contains the X and Y increments, origins, and references for the acquired data for translation to time and voltage values.

The values set in the preamble are based on the settings of the variables in the Acquire, Waveform, Channel, and Timebase subsystems. The Acquire subsystem determines the acquisition type and the average count, the Waveform subsystem sets the number of points and format mode for sending waveform data over the remote interface and the Channel and Timebase subsystems set all the X – Y parameters.

Refer to Figure 36-3 for the Waveform Subsystem Syntax Diagram.

The two acquisition modes are Normal or Average.

The commands of the WAVEform subsystem are:

- COUNT
- DATA
- FORMat
- POINTs
- PREamble
- RECOrd
- SOURce
- SPERiod
- TYPE
- VALid
- XINCrement
- XORigin
- XREFerence
- YINCrement
- YORigin
- YREFerence

This chapter only applies to ES models.

Format for Data Transfer

There are three formats for transferring waveform data over the remote interface. These formats are WORD, BYTE, or ASCII.

WORD and BYTE formatted waveform records are transmitted using the arbitrary block program data format specified in IEEE-488.2. When you use this format, the ASCII character string "#8 <DD...D>" is sent before the actual data.

The <D>s are eight ASCII numbers which indicate how many data bytes will follow.

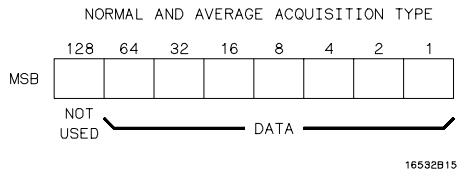
For example, if 8192 points of data are to be transmitted, the ASCII string #800008192 would be sent.

BYTE Format

In BYTE format, the seven least significant bits represent the waveform data. This means that the possible range of data is divided into 128 vertical increments. The most significant bit is not used. If all "1"s are returned in the seven least significant bits, the waveform is clipped at the top of the screen. If all "0"s are returned, the waveform is clipped at the bottom of the screen (see figure 36-1).

The data returned in BYTE format is the same for either Normal or Average acquisition types. The data transfer rate in this format is faster than the other two formats.

Figure 36-1



Byte Data Structure

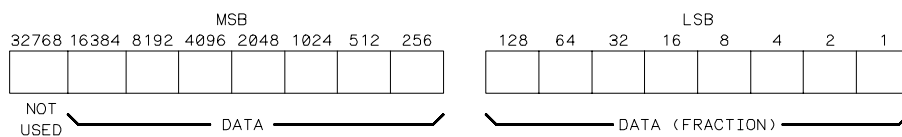
WORD Format

Word data is two bytes wide with the most significant byte of each word being transmitted first. In WORD format, the 15 least significant bits represent the waveform data. The possible range of data is divided into 32768 vertical increments. The WORD data structure for normal and average acquisition types are shown in figure 36-2. If all "1"s are returned in the 15 least significant bits, the waveform is clipped at the top of the screen. If all "0"s are returned in the 15 least significant bits, the waveform is clipped at the bottom of the screen.

WORD and ASCII format data are more accurate than BYTE format data. BYTE format simply truncates the 8 least significant bits of WORD format data.

Figure 36-2

NORMAL AND AVERAGE ACQUISITION TYPE



16532B16

Word Data Structure

ASCII Format

ASCII-formatted waveform records are transmitted one value at a time, separated by a comma. The data values transmitted are the same as would be sent in the WORD format except that they are converted to an integer ASCII format (six or less characters) before being transmitted. The header before the data is not included in this format.

Data Conversion

Data sent from the oscilloscope is raw data and must be scaled for useful interpretation. The values used to interpret the data are the X and Y references, X and Y origins, and X and Y increments. These values are read from the waveform preamble (see the PREamble command) or by the queries of these values.

Conversion from Data Value to Voltage

The formula to convert a data value returned by the instrument to a voltage is:

$$\text{voltage} = [(\text{data value} - \text{yreference}) * \text{yincrement}] + \text{yorigin}$$

Conversion from Data Value to Time

The time value of a data point can be determined by the position of the data point. As an example, the third data point sent with XORIGIN = 16ns, XREFERENCE = 0 and XINCREMENT = 2ns. Using the formula:

$$\text{time} = [(\text{data point number} - \text{xreference}) * \text{xincrement}] + \text{xorigin}$$

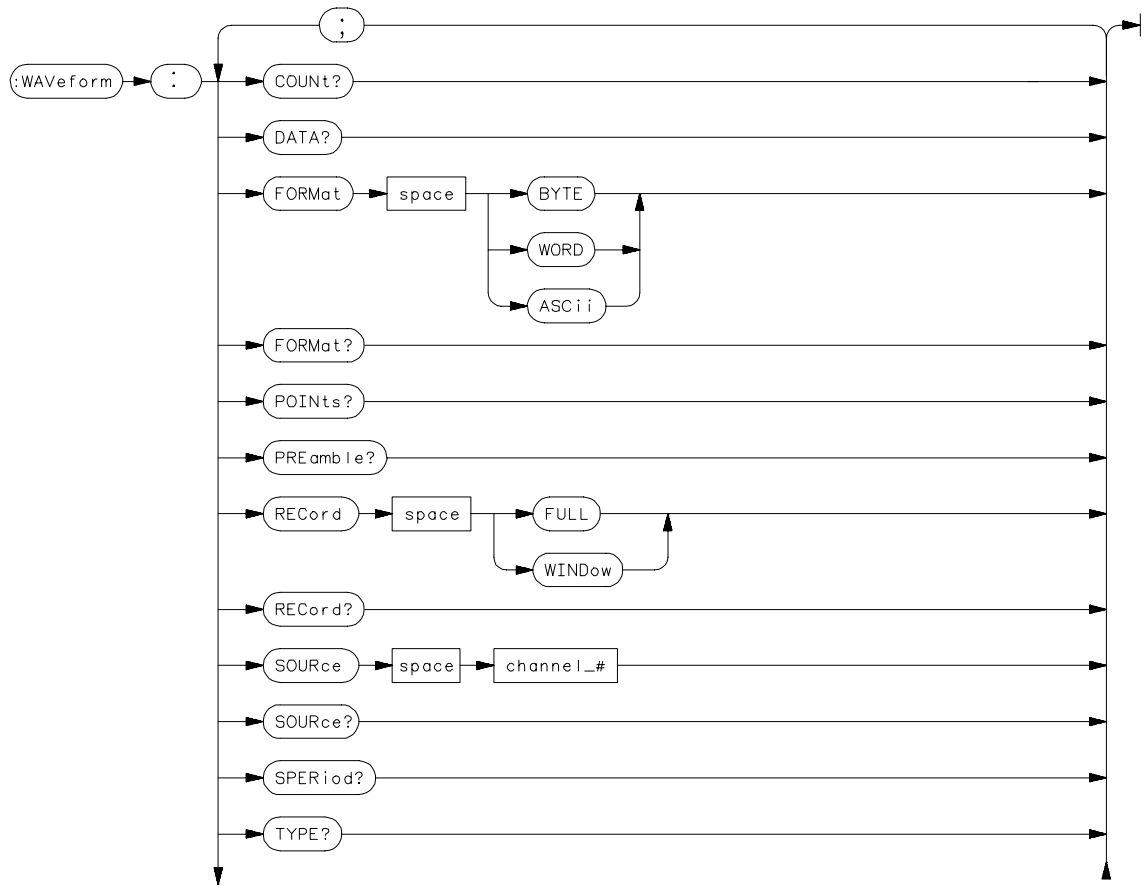
would result in the following calculation:

$$\text{time} = [(3 - 0) * 2\text{ns}] + 16\text{ns} = 22\text{ns}.$$

Conversion from Data Value to Trigger Point

The trigger data point can be determined by calculating the closest data point to time 0.

Figure 36-3



WAVEform Subsystem Syntax Diagram

Figure 36-3 (continued)



WAVeform Subsystem Syntax Diagram (Continued)

Table 36-1

WAVeform Parameter Values

Parameter	Value
channel_#	{ 1 2 }

	COUNT?
Query	:WAVEform:COUNT?
	The COUNT query returns the count last specified in the ACQUIRE Subsystem.
Returned Format	[:WAVEform:COUNT] <count><NL> <count> { 2 4 8 16 32 64 128 256 }
Example	OUTPUT XXX; " :WAVEFORM:COUNT? "

	DATA?
Query	:WAVEform:[SOURCE CHANNEL<N>;]DATA?
	The DATA query returns the waveform record stored in a specified channel buffer. The WAVEform:SOURCE command is used to select the specified channel. The data is transferred based on the FORMAT (BYTE, WORD, or ASCII) chosen and the RECORD specified (FULL or WINDOW). Since WAVEform:DATA is a query, it cannot be used to send a waveform record back to the scope from the controller. If a waveform record is saved for later reloading into the oscilloscope, the SYSTEM:DATA command should be used.
Returned Format	[:WAVEform:DATA]#800008000 <block data><NL> <N> { 1 2 }
Example	OUTPUT XXX; " :WAVEFORM:DATA? "
See Also	Chapter 37, "Programming Examples," for an example using the DATA command.

FORMat

Command :WAVEform:FORMat {BYTE|WORD|ASCii}

The FORMat command specifies the data transmission mode of waveform data over the remote interface. See "Format for Data Transfer" earlier in this chapter for information on the formats.

Example OUTPUT XXX; ":WAV:FORM WORD"

Query :WAVEform:FORMat?"

The FORMat query returns the current format.

Returned Format [:WAVEform:FORMat]{BYTE|WORD|ASCii}<NL>

Example OUTPUT XXX; ":WAVEFORM:FORMAT?"

POINTs?

Query :WAVEform:POINTs?

When WAVEform RECOrd is set to FULL, the POINTs query always returns a value of 8000 points. When WAVEform RECOrd is set to WINdow, then the query returns the number of points displayed on screen.

Returned Format [:WAVEform:POINTs] <points><NL>
<points> integer

Example OUTPUT XXX; ":WAVEFORM:POINTS?"

PREamble?

Query :WAVEform[:SOURCE CHANNEL<N>;]PREamble?

The PREamble query returns the preamble of the specified channel. The channel is specified using the SOURCE command.

Returned Format [:WAVEform:PREamble]<format>,<type>,<points>,<count>,<Xincrement>,<Xorigin>,<Xreference>,<Yincrement>,<Yorigin>,<Yreference><NL>

<N> {1|2}

<format> {0|1|2} 0 = ASCII, 1 = BYTE, 2 = WORD

<type> {1|2} 1 = Normal, 2 = Average

Example

OUTPUT XXX; " :WAVEFORM: PREAMBLE? "

For more information on the fields in PREamble, see the commands which query the individual fields. For example, see the FORmat command for an explanation of the format field.

RECORD

Command :WAVEform:[SOURCE CHANNEL<N>;]RECORD {FULL|WINDOW}

The RECORD command specifies the data you want to receive over the bus. The choices are FULL or WINDOW. When FULL is chosen, the entire 8000-point record of the specified channel is transmitted over the bus. In WINDOW mode, only the data displayed on screen will be returned.

Example OUTPUT XXX; ":WAV:SOUR CHAN1;REC FULL"

Query :WAVEform:RECORD?

The RECORD query returns the present mode chosen.

Returned Format [:WAVEform:RECORD] {FULL|WINDOW}<NL>

Example OUTPUT XXX; ":WAVEFORM:RECORD?"

SOURCE

Command :WAVEform:SOURCE CHANNEL<N>

The SOURCE command specifies the channel that is to be used for all subsequent waveform commands.

<N> {1|2}

Example OUTPUT XXX; ":WAVEFORM:SOURCE CHANNEL1"

WAVEform Subsystem SPERiod?

Query :WAVEform:SOURCE?

Returned Format The SOURCE query returns the presently selected channel.
[:WAVEform:SOURCE] CHANnel<N><NL>

Example OUTPUT XXX; ":WAVEFORM:SOURCE?"

SPERiod?

Query :WAVEform:SPERiod?

Returned Format The SPERiod query returns the present sampling period. The sample period is determined by the DELay and the RANGE commands of the TIMEbase subsystem.
[:WAVEform:SPERiod] <period><NL>
<period> time in seconds

Example OUTPUT XXX; ":WAVEFORM:SPERIOD?"

TYPE?

Query :WAVEform:TYPE?

Returned Format The TYPE query returns the presently acquisition type (normal or average). The acquisition type is specified in the ACQUIRE Subsystem using the ACQUIRE TYPE command.
[:WAVEform:TYPE] {NORMAL|AVERAGE}<NL>

Example OUTPUT XXX; ":WAVEFORM:TYPE?"

VALid?

Query :WAVEform:VALid?

The VALid query checks the oscilloscope for acquired data. If a measurement is completed, and data has been acquired by all channels, then the query reports a 1. A 0 is reported if no data has been acquired for the last acquisition.

Returned Format [:WAVEform:VALid] {0|1}<NL>

- 0 No data acquired
- 1 Data has been acquired

Example OUTPUT XXX; " :WAVEFORM:VALID? "

XINCrement?

Query :WAVEform:XINCrement?

The XINCrement query returns the X increment currently in the preamble. This value is the time difference between the consecutive data points. X increment is determined by the RECord mode as follows:

- In FULL record mode, the X-increment equals the time period between data samples (or sample period).
- In WINDow record mode, the X increment is the time between data points on the display. The X increment for WINDow record data will be less than or equal to the sample period.

Returned Format [:WAVEform:XINCrement]<value><NL>

<value> X increment value currently in preamble

Example OUTPUT XXX; " :WAVEFORM:XINCREMENT? "

XORigin?

Query :WAVeform:[SOURce CHANnel<N>;]XORigin?

The XORigin query returns the X origin value currently in the preamble. The value represents the time of the first data point in memory with respect to the trigger point.

Returned Format [:WAVeform:XORigin]<value><NL>

<N> {1|2}

<value> X origin currently in preamble

Example

OUTPUT XXX; ":WAV:XOR?"

XREFerence?

Query :WAVeform:XREFerence?

The XREFerence query returns the current X reference value in the preamble. This value specifies the X value of the first data point in memory and is always 0.

Returned Format [:WAVeform:XREFerence]<value><NL>

<value> X reference value in the preamble

Example

OUTPUT XXX; ":WAVEFORM:XREFERENCE?"

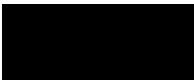
YINCrement?

Query :WAVEform:[SOURce CHANnel<N>;]YINCrement?

The YINCrement query returns the Y increment value currently in the preamble. This value is the voltage difference between consecutive data values.

Returned Format [:WAVEform:YINCrement]<value><NL>
<N> { 1 | 2 }
<value> Y increment value in preamble

Example OUTPUT XXX; " :WAVEFORM:YINCREMENT? "



YORigin?

Query :WAVEform:[SOURce CHANnel<N>;]YORigin?

The YORigin query returns the Y origin value currently in the preamble. This value is the voltage at center screen.

Returned Format [:WAVEform:YORigin]<value><NL>
<N> { 1 | 2 }
<value> Y origin value in preamble

Example OUTPUT XXX; " :WAVEFORM:YORIGIN? "

YREFerence?

Query :WAVeform:YREFerence?

The YREFerence query returns the Y reference value currently in the preamble. This value specifies the data value at center screen where Y origin occurs.

Returned Format [:WAVeform:YREFerence]<value><NL>
<value> Y reference data value in preamble

Example OUTPUT XXX ; " :WAVEFORM:YREFERENCE? "

Pattern Generator Commands



Programming the Pattern Generator

Programming the Pattern Generator

This chapter provides you with the information needed to program the pattern generator of the HP 1660EP-series logic analyzer.

- Programming overview and instructions to help you get started
- Pattern Generator command tree
- Alphabetic command-to-subsystem directory

The next section contains the pattern generator commands and the following four sections contain the subsystem commands for the pattern generator. The final section contains information on the `SYSTEM:DATA` and `SYSTEM:SETup` commands.

Programming Overview

This section introduces you to the basic command structure used to program the pattern generator.

Example Pattern Generator Program

A typical pattern generator program includes the following tasks:

- select the pattern generator
- set program parameters
- define a pattern generator program
- run the pattern generator program

The following example program generates a pattern using two of output pods:

```
10 OUTPUT XXX;" :SELECT 2"
20 OUTPUT XXX;" :FORMAT:REMOVE ALL"
30 OUTPUT XXX;" :FORMAT:LABEL 'A', POSITIVE, 127, 0"
40 OUTPUT XXX;" :FORMAT:LABEL 'B', POSITIVE, 0, 255"
50 OUTPUT XXX;" :SEQ:REMOVE ALL"
60 OUTPUT XXX;" :SEQ:INSERT 0, NOOP, '#H7F', '#HFF'"
70 OUTPUT XXX;" :SEQ:INSERT 4, NOOP, '#H7F', '#HFF'"
80 OUTPUT XXX;" :RMODE REPETITIVE"
90 OUTPUT XXX;" :START"
100 END
```

The three Xs (XXX) after the OUTPUT statement in the above example refer to the device address required for programming over either HP-IB or RS-232-C. Refer to your controller manual and programming language reference manual for information on initializing the interface.

Program Comments

Line 10 selects the pattern generator

Line 20 removes all labels previously assigned

Programming the Pattern Generator

Selecting the Pattern Generator

Line 30 assigns label 'A', positive polarity and assigns the seven least significant bits of pod 5

Line 40 assigns label 'B' and assigns all eight bits of pod 4

Line 50 removes all program lines

Line 60 inserts a new line (after line 0) in the INIT SEQUENCE portion of the program.

Line 70 inserts a new line (after line 4) in the MAIN SEQUENCE portion of the program. Recall that the default MAIN SEQUENCE already has two lines of program

Line 80 Sets the RMODE to repetitive. If the program is to be run only once, select the :RMODE SINGLE command.

Line 90 Starts the program.

Selecting the Pattern Generator

Before you can program the pattern generator, you must first "select" it, otherwise, there is no way to direct your commands to the pattern generator.

To select the pattern generator, use this command:

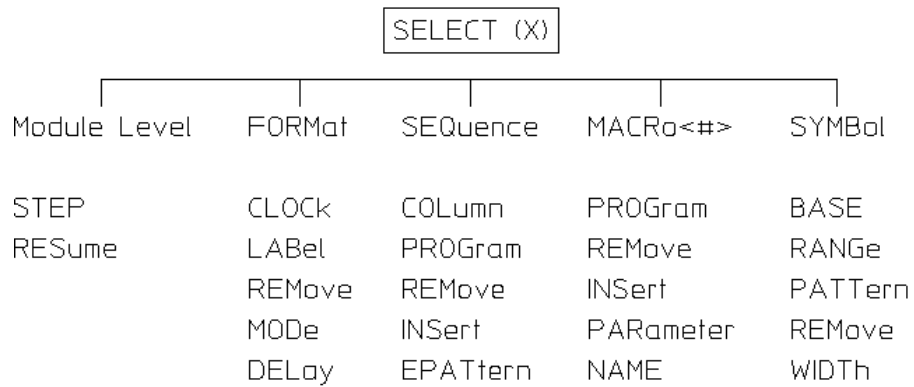
```
:SElect 2
```

Command Set Organization

The command set for the HP 1660EP is divided into four separate subsystems. The subsystems are: FORMat, SEQuence, MACRo, and the SYMBol subsystem. Each of the subsystems commands are covered in their individual sections later in this chapter.

Each of these sections contain a description of the subsystem, syntax diagrams and the commands in alphabetical order. The commands are shown in long form and short form using upper and lower-case letters. For example, FORMat indicates that the long form of the command is FORMAT and the short form is FORM. Each of the commands contain a description of the command and its arguments, the command syntax, and a programming example.

The following figure shows the command tree for the pattern generator.



Pattern Generator Command Tree

Table 3-1 shows the alphabetical command to subsystem directory.

Table 3-1

Alphabetical Command to Subsystem Directory

Command	Where Used
BASE	SYMBOL
CLOCK	FORMAT
COLUMN	SEQUENCE
DELAY	FORMAT
EPATTERN	SEQUENCE
INSERT	MACRO, SEQUENCE
LABEL	FORMAT
MODE	FORMAT
NAME	MACRO
PARAMETER	MACRO
PATTERN	SYMBOL
PROGRAM	SEQUENCE, MACRO
RANGE	SYMBOL
REMOVE	FORMAT, SEQUENCE, MACRO, SYMBOL
RESUME	Pattern Generator Level
STEP	Pattern Generator Level
WIDTH	SYMBOL

Pattern Generator Level Commands

The Pattern Generator Level Commands control the operation of pattern generator programs. The two commands are STEP and RESume.



Pattern Generator Level Syntax Diagram

count = integer from 1 to 100,000 specifying the number of vectors stepped.



STEP

Command/Query

The STEP command consists of four types: the STEP Count command, the STEP command, the the STEP query, and the STEP FSTate command.

The STEP Count command specifies the vector range for the STEP command. The valid vector range for the STEP Count command is from 1 to 100,000. The default is 1. If <count> is greater than the number of lines in the program, STEP will loop back to the beginning until it has stepped through <count> number of vectors.

The STEP command causes the pattern generator to step through the number of vectors specified by the STEP Count command. If one of the instructions is BREAK, STEP will not stop for it.

The STEP query returns the current count.

The STEP FSTate (step first state) command outputs the first vector of the sequence.

If the vectors have been changed since last run, they must be loaded into the hardware with either the :START command or :STEP FSTate.

STEP command Syntax

:STEP

Example

```
OUTPUT XXX; " :STEP "
```

STEP Count command Syntax

STEP <count>

<count> an integer from 1 to 100,000 specifying the number of vectors stepped.

Example

```
10 OUTPUT XXX; " :STEP 20 "  
20 OUTPUT XXX; " :STEP "
```

This example sets the step count to 20 in line 10, then in line 20 begins the step command through the number of lines specified in line 10.

Query :STEP?

Returned Format [STEP] <count>

Example 10 DIM Sc\$[100]
 20 OUTPUT XXX;":STEP?"
 30 ENTER XXX;Sc\$
 40 PRINT Sc\$
 50 END

This example queries and prints the step count.

STEP FState :STEP FState
command Syntax

Example OUTPUT XXX;":STEP FSTATE"



RESume

Command When the pattern generator encounters a BREAK instruction, program execution is halted. The RESume command allows the program to continue until another BREAK instruction is encountered, or until the end of the program is reached.

Command Syntax :RESume

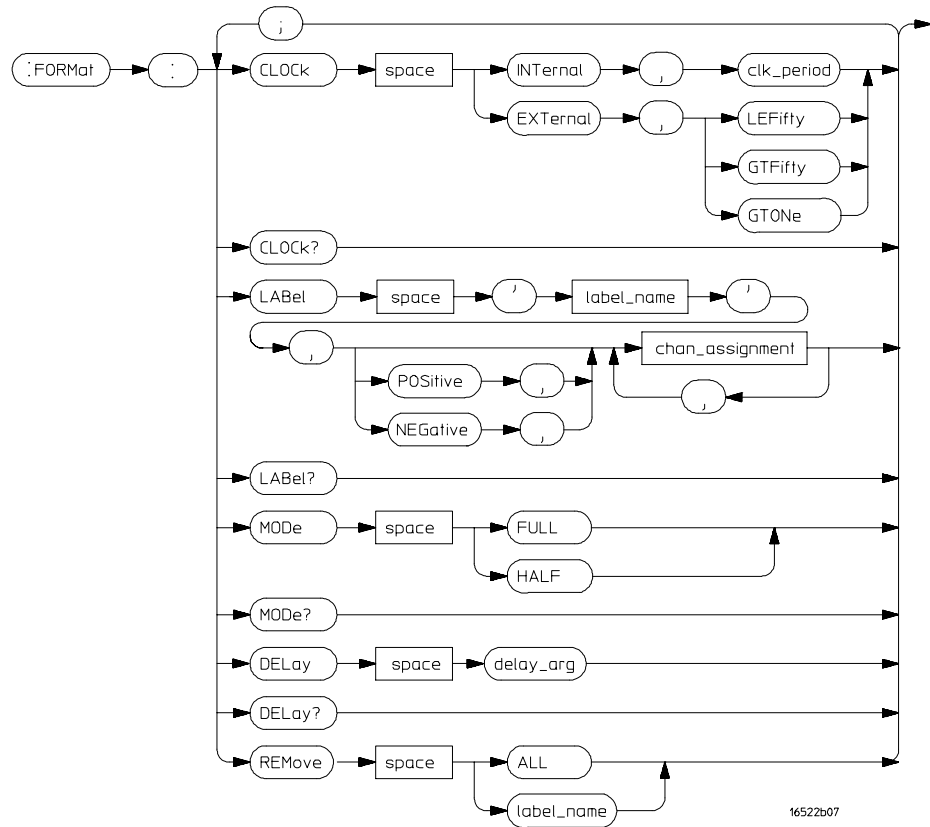
Example OUTPUT XXX; " :RESUME "



FORMat Subsystem

FORMat Subsystem

The commands of the Format subsystem control the pattern generator values such as data output rate, delay, and the channels that you want to be active. The Format subsystem also lets you specify the clock source and allows you to group channels together under a common, user-defined name.



Format Subsystem Syntax Diagram

label name = a string of up to 6 alphanumeric characters
chan_assignment = an integer from 0 to 255
clk_period = a real number specifying the internal clock period
delay_arg = a integer specifying the delay

CLOCK

Command/Query

The CLOCK command is used to specify the clock source for the pattern generator. The choices are INTERNAL or EXTERNAL. With an internal clock source, the clock period must also be specified (real number value).

With an external clock source, the clock frequency range must be specified as one of the following:

- Less than or equal to 50 MHz (LEFifty)
- Greater than 50 MHz and less than or equal to 100 MHz (GTFifty)
- Greater than 100 MHz (GTONE)

The maximum clock rate is limited by the output channel mode selected (see FORMat:MODE command).

Command Syntax

```
:FORMat:CLOCK INTERNAL, <clk_period>
:FORMat:CLOCK EXTERNAL, {LEFifty|GTFifty|GTONE}
```

<clk_period>

a real number clock period that corresponds to the front-panel selectable clock period values.

Query Syntax

```
:FORMat:CLOCK?
```

Returned Format

```
[ :FORMat:CLOCK ] INTERNAL, <clk_period>
[ :FORMat:CLOCK ] EXTERNAL, {LEFifty|GTFifty|GTONE}
```

Example

```
10 DIM C1$[100]
20 OUTPUT XXX; ":FORMAT:CLOCK?"
30 ENTER XXX;C1$
40 PRINT C1$
50 END
```

This example queries and prints the current clock settings.

DElay

Command/Query	<p>The DElay command is used to specify the clock out delay. The clock out delay setting allows positioning of the clock with respect to the data. The delay setting that corresponds to zero is uncalibrated and must be measured by the user to determine the basic clock/data timing. Subsequent settings delay the clock approximately 1.3 ns per step.</p> <p>The query returns the current clock out delay value.</p>
Command syntax	<p>:FORMat :DElay<delay_arg></p> <p><delay_arg> integer from 0 through 9</p>
Query syntax	<p>:FORMat :DElay?</p>
Returned format	<p>[FORMat :DElay]<delay_arg></p>

LABel

Command/Query

The LABel command inserts a new label or modifies the contents of an existing label. If more than 126 labels are specified, and an attempt is made to insert another new label, the last label (bottom label) will be modified.

Only 16 labels may be inserted or modified at a time. If more than 16 labels are specified per command, you will receive an error message.

Pattern generator channels can be assigned to only one label at a time. If duplicate assignments are made, the last channel assignments take precedence.

The second parameter sets the channel polarity. If the polarity is not specified, the last polarity assignment is used. The last parameters assign the active channels for each pod.

Each assignment parameter is a binary encoding of the channel assignments of the pod. The pods are numbered in the same order as they appear in the format menu, with zero representing the left-most pod (pod 5) of the pattern generator. A "1" in a bit position means that the associated channel in that pod is included in the label. A "0" in a bit position excludes the channel from the label. The minimum value for any pod specification is 0, the maximum value for all pods is 255. A value of 255 includes all channels of a pod assignment. The query must specify a label name and returns the current pod assignments and channel polarity for that label. A maximum of 32 bits can be assigned to a label.

In half channel mode, only pods one and three are used.

Command Syntax

```
:FORMat:LABel <label name>,[<polarity>,<channel assignment>], .... <channel assignment>
```

<label name> string of up to 6 alphanumeric characters

<polarity> polarity of the channel outputs,NEGative or POSitive

FORMat Subsystem
LABel

<channel assignment> a string in one of the following forms:
'#B01...' for binary
'#Q01234567..' for octal
'#H0123456789ABCDEF...' for hexadecimal
'0123456789...' for decimal.

Example

Full channel mode, all bits on pod 4:
OUTPUT XXX;":FORMat:LABel 'DATA',POS,255,255,0,0"

Example

Half channel mode, all bits on pods 3 and 5:
OUTPUT XXX;":FORMat:LABel 'STATUS',NEG,15,255,0"

Query Syntax: :FORMat:LABel? <label name>

Returned Format: [:FORMat:LABel] <label name>,<polarity>,<channel assignment> , <channel assignment><NL>

Example

```
10 DIM La$[100]
20 OUTPUT XXX;":FORMat:LABel? 'A'"
30 ENTER XXX;La$
40 PRINT La$
50 END
```

This example queries and prints the definition of label 'A'.

MODE

The MODE command is used to specify either FULL or HALF channel output mode. Half channel mode allows a higher output data rate (greater than 100 MHz), but with only 20 channels per .

Full channel output mode limits the maximum data rate to 100 MHz but allows use of 40 channels per .

The output mode selection sets the upper limit for the clock rate (see FORMat:CLOCK command).

Command syntax: : FORMat :MODE { FULL | HALF }

Query syntax: : FORMat :MODE?

Returned format: [FORMat :MODE] { FULL | HALF }

Assigning labels in half-channel mode erases previously-assigned labels.

REMove

Command The REMove is used to delete a single label, or all labels from the format menu. If a label name is specified, it must exactly match a label name currently active in the format menu.

Command Syntax: :FORMat:REMove {ALL|<label name>}
 <label name> a string of up to 6 alphanumeric characters

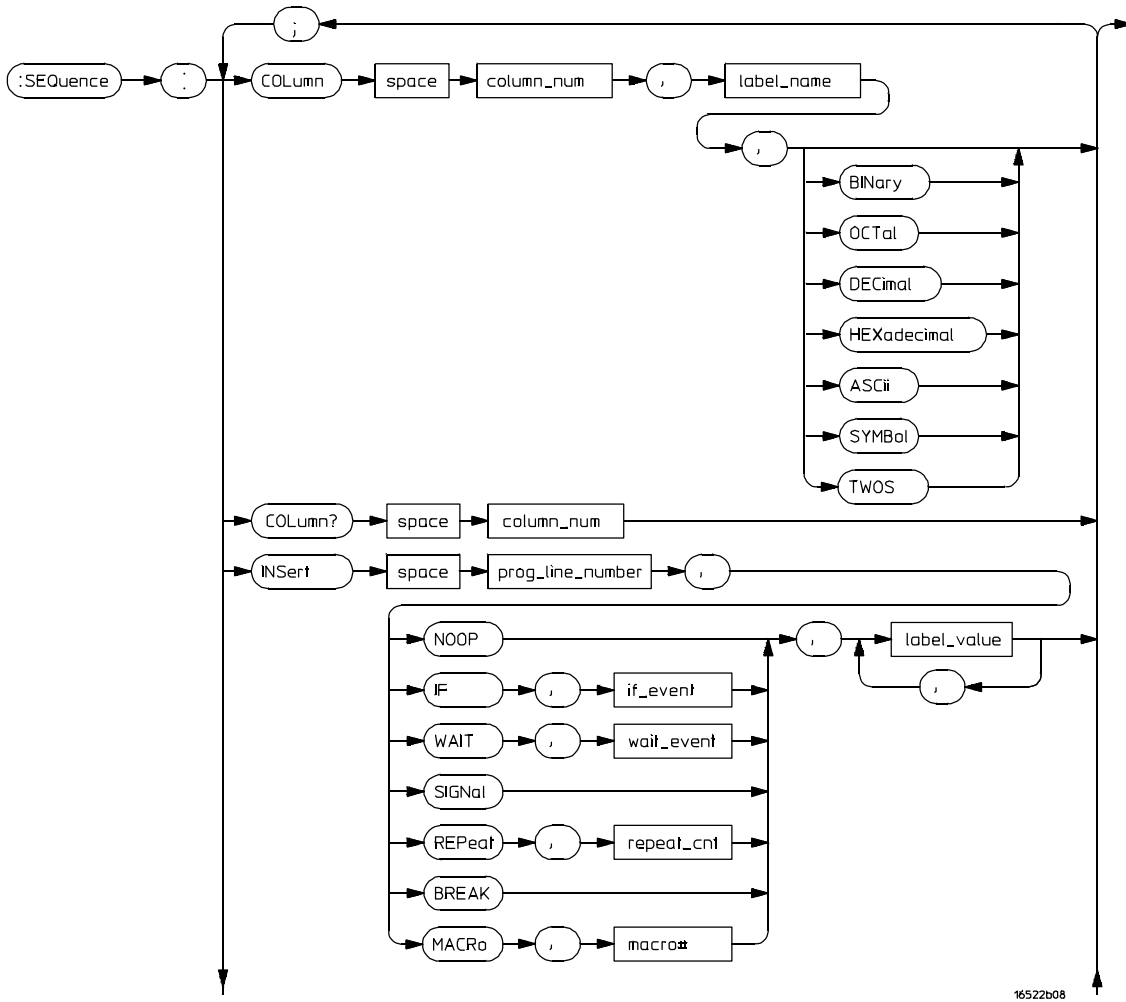
Example OUTPUT XXX;":FORMAT:REMOVE ALL"



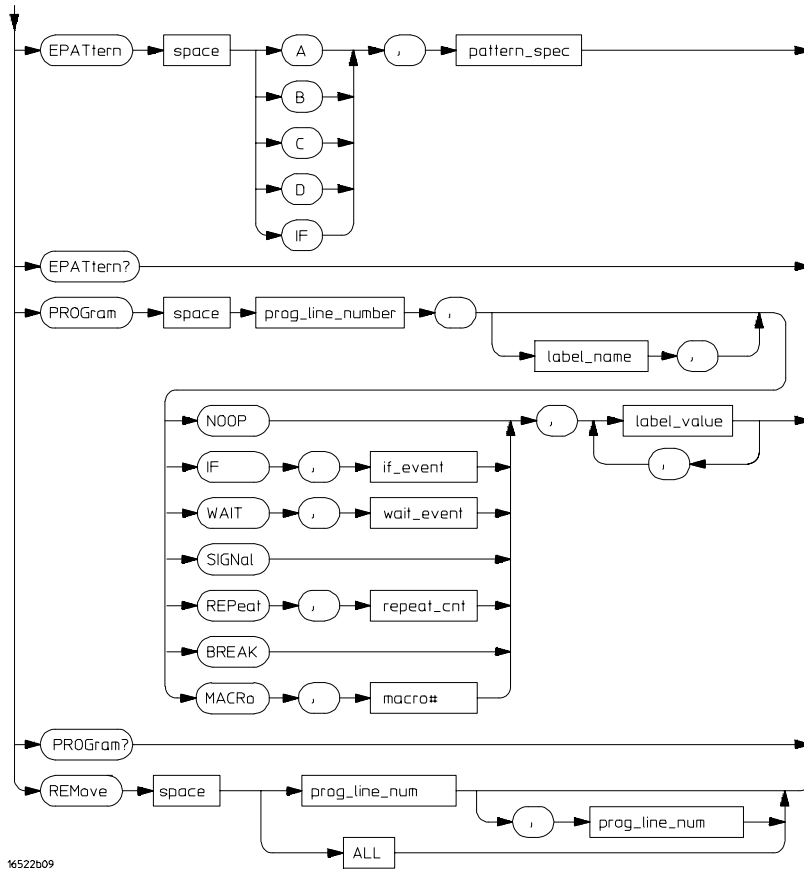
SEQuence Subsystem

SEQUence Subsystem

The commands of the Sequence subsystem allow you to write a pattern generator program using the parameters set in the Format subsystem.



SEQUence Subsystem Syntax Diagram



16522b09

SEquence Subsystem Syntax Diagram (cont.)

column_num = an integer specifying the column that is to receive the new label

label_name = the label name that is to be removed

prog_line_num = an integer specifying the program line number

label_value = a string in one of the following forms:

'#B01...' for binary

'#Q01234567...' for octal

'#H0123456789ABCDEF...' for hexadecimal

'0123456789...' for decimal

repeat_cnt = an integer from 1 through 20,000

macro# = an integer from 0 to 99

if_event = {IF | IMB}

wait_event = {A | B | C | D | IMB}

patter_spec = an integer from 0 to 255

COLumn

Command/Query The COLumn command allows you to reorder the labels in the Sequence and Macro menus and set the numerical base for each label. Label order in the Format menu is not changed when the COLUMN command is used.

The first parameter of the command specifies the column number, followed by a label name and an optional number base. If a number base is not specified, the current number base for the label is used. The instruction field (leftmost column on screen) cannot be moved.

The query must include a column number and returns the label in that column and its base.

Command Syntax: :SEQuence:COLumn <column number>, '<label name>'
 [, {BINary | OCTal | DECimal | HEXadecimal | ASCii | SYMBol
 | TWOS}]

<column number> an integer specifying the column that is to receive the new label

<label name> a string of up to six alphanumeric characters specifying the label name that is to be moved

Example OUTPUT XXX; ":SEQ:COL 1, 'A', HEX"

Query Syntax: :SEQuence:COLumn? <column number>

Returned Format: [SEQuence:COLUMN] <column number>, <label name>,
 {BINary | OCTal | DECimal | HEXadecimal | ASCII |
 SYMBol | TWOS}

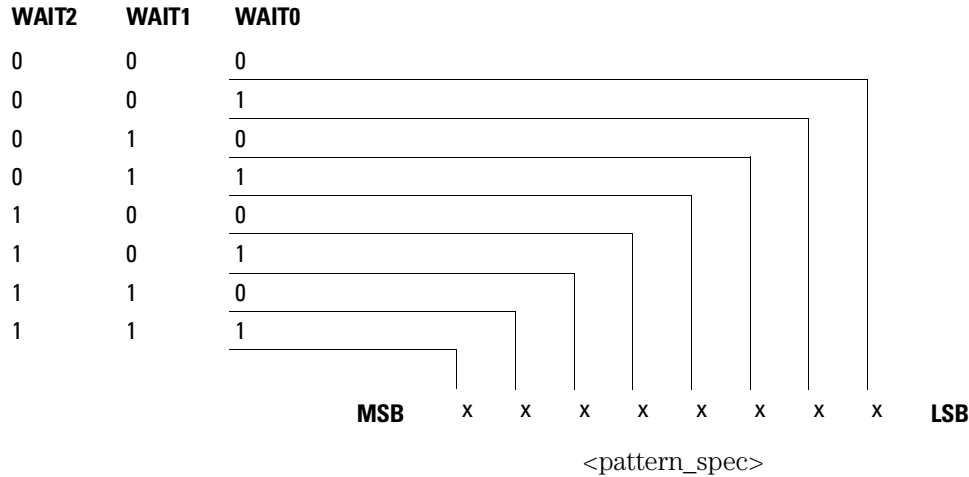
Example

```
10 DIM Co$[100]
20 OUTPUT XXX; ":SEQ:COL? 1"
30 ENTER XXX;Co$
40 PRINT Co$
50 END
```

EPATtern

Command/Query

The EPATtern command is used to specify the event patterns used by the WAIT and IF commands. The pattern generator has three external input qualifiers (WAIT2, WAIT1, and WAIT0). There are eight combinations of the three input qualifiers that may be OR'ed together to create an event pattern specification. Mapping of these input qualifier patterns to an event pattern specification is shown below.



The query returns the current pattern specification for the given event.

Command syntax:

:SEquence:EPATtern { A|B|C|D|IF }, <pattern_spec>

<pattern_spec>

an integer between 0 and 255 mapping input qualifier combinations as shown above.

Query syntax:

:SEquence:EPATtern? { A|B|C|D|IF }

Return format:

[:SEquence:EPATtern] { A|B|C|D|IF }, <pattern_spec>

See next page for an example.

Example

To specify an event pattern of (0, 1, 0) [Wait2=0, Wait1=1, Wait0=0] use a <pattern_spec> of 4 (0000 0100).

To specify an event pattern of (0, 0, 0) use a <pattern_spec> of 1 (0000 0001).

To specify an event pattern of (0, 1, 1) OR (1, 1, 0) OR (1, 1, 1) use a <pattern_spec> of 200 (1100 1000).

INSert

Command

The INSert command is the basic command used to build a pattern generator sequence. This command is used to insert (or add) a sequence statement after the specified line number.

The first parameter is the line number. The instruction is inserted in the sequence after the specified line number. Sequence lines with instructions other than NOOP cannot be inserted:

- Immediately after the INIT SEQUENCE START line.
- Immediately before or after the start of an IF.
- Immediately before or after the end of an IF.
- Immediately after the MAIN SEQUENCE START line.
- After the MAIN SEQUENCE END line.
- Immediately before the MAIN SEQUENCE END line.

No sequence lines may be inserted between the INIT SEQUENCE END and the MAIN SEQUENCE START lines.

If the line number specified is greater than the MAIN SEQUENCE END line number, the line will be inserted at the last legal location in the main sequence. A legal pattern generator sequence is required to have at least two lines in the main sequence (between MAIN SEQUENCE START and MAIN SEQUENCE END lines).

The second parameter is the instruction for this sequence line. The available instructions are described below

The third parameter is an optional instruction argument. This parameter will only appear when required by a specific instruction.

The last parameter(s) are the data assignments for this line. These assignments are normally made one per label, starting with the left-most column in the display. Note the exception described for the MACRO instruction.

You cannot assign values to more than 16 labels per instruction.

Instructions

NOOP The NOOP instruction means there is no instruction for this line.

BREak The BREak instruction causes the execution of the sequence to stop at this line. Use the RESume command to advance to the next sequence line.

SIGNal The SIGNal instruction is the complement of the WAIT IMB instruction. When the pattern generator encounters a SIGNal instruction, it will output a signal to the internal Intermodule Bus (IMB). This signal is used to trigger the logic analyzer.

WAIT The Wait instruction causes the pattern generator to stop and wait for the occurrence of the specified event pattern(s). The event patterns are specified elsewhere (SEquence: EPATtern command). The event to be waited for by this particular command is specified by the optional instruction argument parameter. Once the specified event occurs, the pattern generator program proceeds to the next state.

Valid wait events are { A | B | C | D | IMB }

IF The IF instruction allows a sequence of program states to occur if a specified condition is true. The IF event pattern can be specified elsewhere (SEquence:EPATtern command).

The condition to be tested by the IF instruction is specified by the optional instruction argument parameter. If the specified condition is true, the sequence states included in the IF (lines between IF and IF END) are executed. If the condition is not true, the sequence states within the IF are skipped. Valid IF events are {IF | IMB}.

Note that there are clock speed, channel count, and location restrictions on the use of the IF instruction.

REPeat The REPeat instruction allows a group of sequence states to be executed repetitively some number of times. The repeat count is specified in the optional instruction argument parameter.

Inserting a REPeat instruction causes three sequence lines to be generated. The REPeat instruction line, a data line within the body of the repeat, and an END LOOP instruction line.

No data appears in the REPEAT and END LOOP lines. The data specified as part of the remote control command string appears in the body of the repeat loop. Additional data lines can be added to the body of the repeat loop by

inserting lines as needed. The repeat loop is assigned a loop number by the system and is used to connect the limits of the repeat loop.

Note that there are location restrictions on the use of the REPEAT instruction.

MACRo# The MACRo# instruction is used to invoke a previously defined user macro. The macro number is part of the instruction string (not the optional instruction argument parameter). If the macro has been defined to use passed-in parameters, those parameter values are passed in via the data value fields. If no parameters are defined, a single dummy parameter must be used ('0'). There is otherwise no data associated with a macro instruction.

Command Syntax :SEquence:INSert <line_number>, {NOOP | IF, <event> |
 WAIT, <event> | SIGNAL | REPEAT, <count> | BREAK |
 MACRo<#>}, <data_value>, <data_value>, ...

<line_number> integer where instruction/data will be inserted after

<event> { A | B | C | D | IF | IMB }

<count> integer repeat count

<#> macro number

<data_value> a string in one of the following forms:
 '#B01...' for binary
 '#Q01234567...' for octal
 '#H0123456789ABCDEF...' for hexadecimal
 '0123456789...' for decimal

Example

```
10 OUTPUT XXX; " :SEQ: INS 248, NOOP, '17', '34', '121'"
20 OUTPUT XXX; " :SEQ: INS 1786, WAIT, A, '17', '34', '121'"
30 OUTPUT XXX; " :SEQ: INS 2652, REPEAT, 26, '17', '34', '121'"
40 OUTPUT XXX; " :SEQ: INS 3166, MACR4, '#HABCD'"
41 !Passes a single parameter to this instance of MACRO #4.
50 OUTPUT XXX; " :SEQ: INS 3186, MACR6, '0'"
51 !Assume no parameter defined for MACRO 6.
```


PROGram

Command/Query

The PROGram command is used to modify an existing pattern generator sequence line.

The first parameter is the line number. The instruction to be modified is at the specified line number. Note that some lines cannot be modified (SEQUENCE START and END) and some instructions can have parameters modified, but the instruction type cannot be changed (REPeat can have the repeat count changed, but it cannot be changed to a NOOP).

The second parameter is an optional label name. The label name allows any data values specified in the command to be assigned starting with the label name rather than defaulting to the first label. This is useful when modifying only a portion of the data for a sequence line.

You cannot specify more than 16 labels per PROGram command. Use the optional label parameter if the line you want to modify has more than 16 labels.

The third parameter is the instruction. The options for this parameter are described below.

The fourth parameter is an optional instruction argument. This parameter will only appear when required by a specific instruction as described below.

The last parameter(s) are the data assignments for this line. These assignments are normally made one per label, starting with the left-most column in the display.

Note that some instructions cannot be modified. To change the instruction type in these cases, it is necessary to first REMove the line(s) and INSert new lines(s).

The query returns the current contents (instruction and data) for the specified line number.

Instructions

NOOP The NOOP instruction means there is no instruction for this line.

BREak The BREak instruction causes the execution of the sequence to stop at this line. Use the RESume command to advance to the next line sequence.

When operating at 200 MHz you can not have two Break enents in sucesion.

SIGNal The SIGNal instruction outputs a signal to the internal Intermodule Bus (IMB). This signal is used to trigger the logic analyzer.

WAIT The WAIT instruction causes the pattern generator to stop and wait for the occurrence of the specified event pattern(s). The event patterns are set by the SEquence:EPATtern command. The event to be waited for by this particular command is specified by the optional instruction argument parameter. Once the specified event occurs, the pattern generator program proceeds to the next state.

When operating at 200 MHz you can not have two Wait enents in sucesion.

IF The IF instruction allows a sequence of program states to occur if a specified condition is true. The IF event pattern is specified by the SEquence:EPATtern command.

The IF and END IF sequence lines cannot be modified other than changing the if condition.

The condition to be tested by the IF instruction is specified by the optional instruction argument parameter. If the specified condition is true, the sequence states include the IF (lines between IF and IF END) are executed. If the condition is not true, the sequence states within the IF are skipped.

Valid IF events are {IF | IMB}.

SEquence Subsystem PROGram

REPeat The REPeat instruction allows a group of sequence states to be executed repetitively some number of times. The repeat count is specified in the optional instruction argument parameter.

The REPeat and END LOOP sequence lines cannot be modified other than by changing the loop count.

MACRo# The MACRo# instruction is used to invoke a previously defined user macro. The macro number is part of the instruction string (not the optional instruction argument parameter). If the macro has been defined to use passed-in parameters, those parameter values are passed in via the data value fields. If there are no parameters associated with the macro, a single dummy parameter must be used ('0'). There is otherwise no data associated with a macro instruction.

Command Syntax

```
:SEquence:PROGram <line_number>, [<optional_label>},{ NOOP |  
IF,<event> | WAIT,<event> | SIGNa | REPeat,<count> | BREAK |  
MACRo<#> },<data_value>,<data_value>,...
```

<line_number> integer where instruction/data will be modified

<optional_label> a string of up to 6 alphanumeric characters specifying the label where modification begins.

<event> {A|B|C|D|IF|IMB}

<count> integer repeat count

<#> macro number

<data_value> a string in one of the following forms:
 '#B01...' for binary
 '#Q01234567...' for octal
 '#H0123456789ABCDEF...' for hexadecimal
 '0123456789...' for decimal

Query Syntax: :SEquence:PROGram? <line_number>

Returned Format: {IF (External Pattern = #) | END IF | WAIT
 <event> | SIG IMB | START LOOP # REPEAT # TIMES |
 END LOOP # | BREAK | MACRO Macro# () | INIT
 SEQUENCE START | INIT SEQUENCE END | MAIN
 SEQUENCE START | MAIN SEQUENCE END}, <data_value>,
 <data_value>, ...

Example

```
10 OUTPUT XXX; " :SEQ: PROG 248, NOOP, '17', '34', '121'"
20 OUTPUT XXX; " :SEQ: PROG 1786, WAIT, A, '17', '34', '121'"
30 OUTPUT XXX; " :SEQ: PROG 2652, REPEAT, 26, '17', '34',
'121'"
40 OUTPUT XXX; " :SEQ: PROG 3166, MACR4, '#HABCD'"
41 ! Passes a single parameter to this instance of MACRO #4.
50 OUTPUT XXX; " :SEQ: PROG 3186, MACR6, '0'"
51 ! Assume no parameter defined for MACRO 6.
```

REMove

Command The REMove command allows you to remove one or several lines from the pattern generator program. If only one parameter number is given, that line number is deleted. If two numbers are given, the range of lines between those two values inclusive is deleted. The command REMove ALL deletes the entire program.

Command Syntax: SEQuence:REMove{ <program line number[, <program line range>]|ALL>}

<program line number> an integer specifying the program line to be removed

<program line range> an integer specifying the last line number in a range of lines to remove.

Example

OUTPUT XXX;":SEQ:REM 1,4"



MACRo Subsystem

MACRo Subsystem

The commands of the MACRo subsystem allow you to write and edit macros for use in the pattern generator program. Up to 100 macros may be called into the main listing program. The macros are labeled Macro0 through Macro99.

Macro0 is always available (initial contents are START/END lines only). All other macros are created whenever a MACRo<#> subheader that is not yet defined is used. The new macro will then appear on all macro lists until a MACRo<#>:REMOve command is issued.

A macro can be named (MACRo<#>:NAME command) but cannot be referenced by remote control commands using that name.

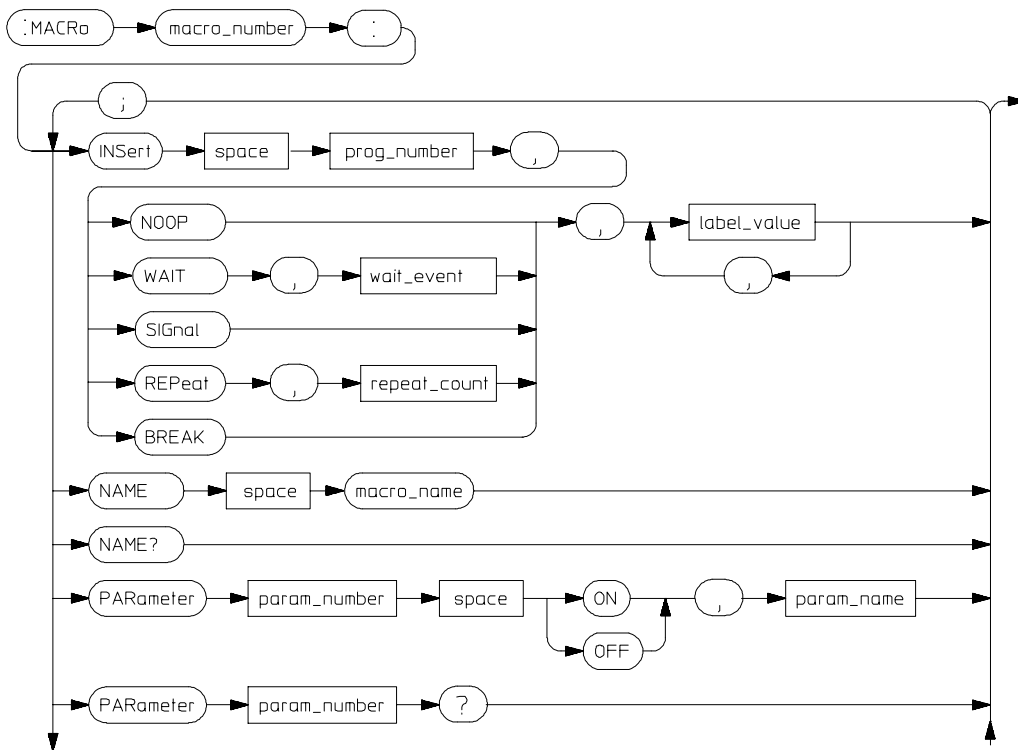
The SEquence:COLumn command is used to define the ordering of the sequence display listing. Macro display listings will appear in the same order as the main sequence. Changing the display while on a macro listing will also affect the main sequence when you return to that display listing.

The SEquence:EPATtern command is used to define event patterns that are shared by both the main sequence and all macros. Changing an event pattern definition for use by a single macro will change its definition for all other macros and the main sequence.

The command REMove ALL can be used to totally clear the contents of a macro, but it does not remove the macro from the macro list. The macro is still accessible from the sequence, but the macro consist of only two lines.

The command REMove MACRo can be used to totally remove all contents of a macro as well as any external reference to that macro. Note that while Macro0 can be totally cleared, it cannot be removed from the macro list.

Figure 40-1

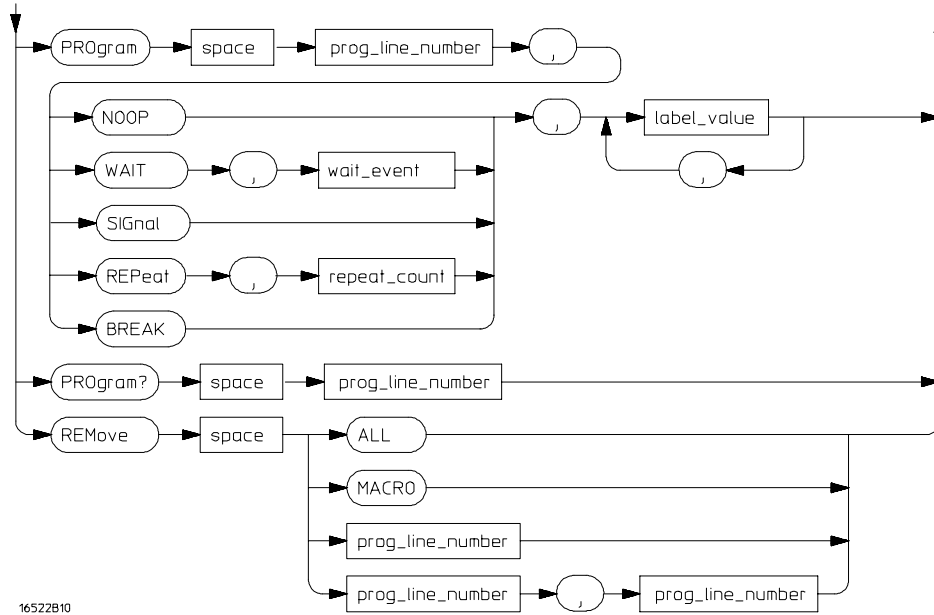


16522B12

MACRo Subsystem Syntax Diagram



Figure 40-1 (continued)



16522B10

MACRo Subsystem Syntax Diagram (cont.)

- prog_line_num** = an integer specifying the program line number
- macro_name** = character string up to 6 characters in length
- macro_number** = an integer 0 through 99 specifying macro to act on
- param_name** = character string up to 6 characters in length
- param_number** = an integer 0 through 9
- repeat_count** = an integer from 1 through 20000
- wait_event** = { A | B | C | D | IMB }
- label_name** = character string up to 6 characters in length
- label_value** = data entry in one of the following forms:
 - '#B01...' for binary
 - '#Q01234567...' for octal
 - '#H012345679ABCDEF...' for hexadecimal
 - '0123456789...' for decimal
 - PARAmeter<#> for passed in macro parameter (# = 0 through 9)

INSert

Command

The INSert command is the basic command used to build a pattern generator macro. This command is used to insert (or add) a macro statement after the specified line number.

The first parameter is the line number. The instruction and/or data will be inserted in the macro after the specified line number. You cannot insert a line just before the last data row. Macro lines cannot be inserted after the MACRO END line.

If the line number specified is greater than the MACRO END line number, the line will be inserted at the last legal location in the macro.

The second parameter is the instruction for this macro line. The available instructions are described below

The third parameter is an optional instruction argument. This parameter will only appear when required by a specific instruction.

The last parameter(s) are the data assignments for this line. These assignments are normally made one per label, starting with the left-most column in the display. In addition to the normal data values, parameters passed in with a macro call can be inserted within the body of the macro.

Instructions

NOOP The NOOP instruction means there is no operation for this line.

BREak The BREak instruction causes the execution of the sequence to stop at this line. Use the RESume command to advance to the next macro line.



SIGNal The SIGNal instruction outputs a signal to the internal Intermodule Bus (IMB). This signal is used to trigger the logic analyzer.

WAIT The WAIT instruction causes the pattern generator to stop and wait for the occurrence of the specified event pattern(s). The event to be waited for by this particular command is specified by the optional instruction argument parameter. Once the specified event occurs, the pattern generator program proceeds to the next state.

Valid wait events are { A | B | C | D | IMB }. Their patterns are set using the SEQUENCE: EPATtern command.

REPeat The REPeat instruction allows a group of states to be executed repetitively some number of times. The repeat count is specified in the optional instruction argument parameter.

Inserting a REPeat instruction causes three lines to be generated: the REPeat instruction line, a data line within the body of the repeat, and an END LOOP instruction line. No data appears in the REPEAT and END LOOP lines. The data specified as part of the remote control command string appears in the body of the repeat loop. Additional data lines can be added to the body of the repeat loop by inserting lines as needed. The repeat loop is assigned a loop number by the system and is used to connect the limits of the repeat loop.

Command Syntax :MACRO<m#>:INsert <line_number>, { NOOP |
 WAIT,<event> | SIGNAL | REPEAT,<count> | BREAK }
 ,<data_value>,<data_value>,...

<line_number> integer which line instruction/data will be inserted after

<event> { A | B | C | D | IMB }

<count> integer repeat count

<m#> macro number (integer 0 through 99)

<p#> parameter number (integer 0 through 9)

<data_value> a string in one of the following forms:

'#B01...' for binary

'#Q01234567...' for octal

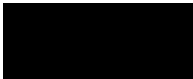
'#H0123456789ABCDEF...' for hexadecimal

'0123456789...' for decimal

PARAMETER<p#>

Example

OUTPUT XXX;":MACRO4:INSERT 3, BREAK, PAR1, '13'"



NAME

Command/Query	<p>The NAME command is used to specify a name for a macro. This name will then appear in the front panel lists and displays in place of the more generic "Macro #" string.</p> <p>The name cannot be used to reference the macro in programs. It is intended for use as a means to clarify or document sequence listings and displays.</p> <p>The query returns the user-defined macro name.</p>
Command syntax:	<code>:MACRO<#> :NAME <macro_name></code>
<code><macro_name></code>	a string up to six alphanumeric characters in length
<code><#></code>	macro number (integer 0 through 99).
Query syntax:	<code>:MACRO<#> :NAME?</code>
Return format:	<code>[:MACRO<#> :NAME] <macro_name></code>

PARAmeter

Command/Query The PARAmeter command is used to enable and name parameters for a macro. The parameter name is optional, and if used, is for use on displays and listings only. When a parameter is enabled, macro calls from the sequence can pass values to the macro. These values can then be used as data values in the body of the macro.

The query returns the current status of a parameter and its name.

Command syntax: :MACRO<m#>:PARAmeter<p#> { ON | OFF } [, <name>]

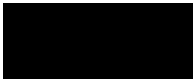
 <m#> macro number (integer 0 through 99)

 <p#> parameter number (integer 0 through 9)

 <name> string up to six alphanumeric characters in length

Query syntax: :MACRO<m#>:PARAmeter<p#>?

Returned format: [:MACRO<m#>:PARAmeter<P#>] { ON | OFF } , <name>



PROG

Command/Query

The PROG command is used to modify an existing pattern generator macro line.

The first parameter is the line number of the instruction to be modified. Note that some lines cannot be modified (MACRO and MACRO END) and some instructions can have parameters modified. The instruction type cannot be changed (REPEAT can have the repeat count changed, but it cannot be changed to a NOOP).

The second parameter is an optional label name. The label name allows any data values specified in the command to be assigned starting with the label name rather than defaulting to the first label. This is useful when modifying only a portion of the data for a macro line.

You can only modify 16 labels per PROG command. To modify more than 16 labels, use the optional label name parameter.

The third parameter is the instruction. The options for this parameter are described below.

The fourth parameter is an optional instruction argument. This parameter will only appear when required by a specific instruction as described below.

The last parameter(s) are the data assignments for this line. These assignments are normally made one per label, starting with the left-most column in the display. In addition to the normal data values, parameters passed in with a macro call can be inserted within the body of the macro. Specifying more than 16 data assignments will cause a command error.

Note that some instructions cannot be modified. To change the instruction type in these cases, it is necessary to first REMOVE the line(s) and INSERT new lines(s).

The query returns the current contents (instruction and data) for the specified line number.

Instructions

NOOP The NOOP instruction means there is no operation for this line.

BREak The BREak instruction causes the execution of the macro to stop at this line. Use the RESume command to advance to the next line macro.

SIGNal The SIGNal instruction outputs a signal to the internal Intermodule Bus (IMB). This signal is used to trigger the logic analyzer.

WAIT The WAIT instruction causes the pattern generator to stop and wait for the occurrence of the specified event pattern(s). The event to be waited for by this particular command is specified by the optional instruction argument parameter. Once the specified event occurs, the pattern generator program proceeds to the next state.

Valid WAIT events are { A | B | C | D | IMB }. Their patterns are set using the SEQUENCE: EPATtern command.

REPeat The REPeat instruction allows a group of macro states to be executed repetitively some number of times. The repeat count is specified in the optional instruction argument parameter.

The REPeat and END LOOP sequence lines cannot be modified other than to change the loop count.



MACRo Subsystem
PROGram

Command Syntax :MACRo<m#>:PROGram <line_number>,
 [<optional_label> ,] { NOOP | WAIT, <event> | SIGNAL
 | REPEAT, <count> | BREAK }
 , <data_value>, <data_value>, ...

<line_number> integer specifying the line of instruction/data to be modified

<optional_label> a string of up to six characters specifying a label

<event> { A | B | C | D | IMB }

<count> integer repeat count

<m#> macro number (integer 0 through 99)

<p#> parameter number (integer 0 through 9)

<data_value> a string in one of the following forms:

 '#B01...' for binary
 '#Q01234567...' for octal
 '#H0123456789ABCDEF...' for hexadecimal
 '0123456789...' for decimal
 PARAMeter<p#>

Query Syntax: :MACRo<#>:PROGram? <line_number>

Returned Format: [:MACRo<#>:PROGram] <line_number>, { NOOP | WAIT
 <event> | SIG IMB | BREAK | MACRO END | START
 LOOP # REPEAT # TIMES | END LOOP # | MACRO
 Macro# () }, <data_value>, <data_value>, ...

REMove

Command

The REMove allows you to remove one or several lines from the macro. If only one parameter is given, only that line is deleted. If two numbers are specified, the range of lines between those values, inclusive, is deleted.

The command REMove ALL can be used to totally clear the contents of a macro, but it does not remove the macro from the macro list. This means the macro is still accessible from the sequence, but the macro consists of only two lines.

The command REMove MACRO can be used to totally remove all contents of a macro as well as any external reference to the macro. Note that while Macro0 can be totally cleared, it cannot be removed from the macro list.

Command Syntax:

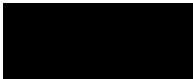
```
:MACRO<macro number>:REMove {<program line
number>[,<program line number>]|ALL|MACRO}
```

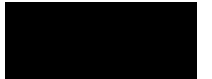
<macro number> an integer, 0 through 99

<program line> an integer specifying the program line to be removed

Example

```
OUTPUT XXX;" :MACRO1:REM 1,3"
```

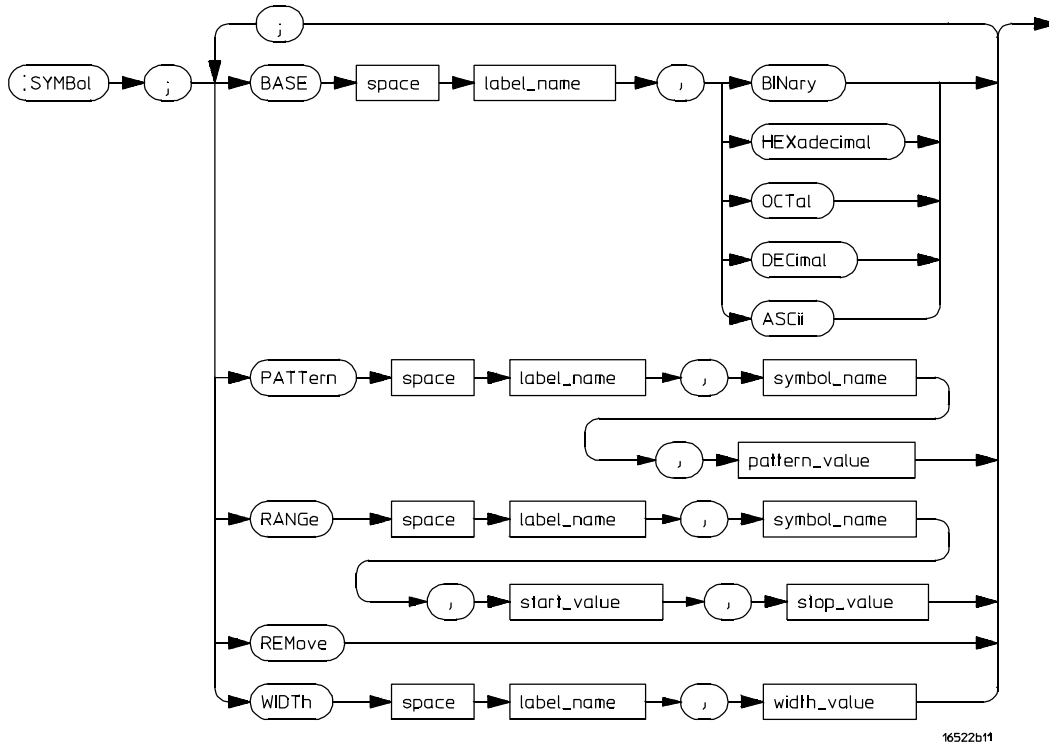




SYMBOL Subsystem

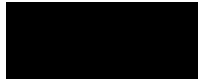
SYMBOL Subsystem

The SYMBOL subsystem contains the commands that allow you to define symbols on the controller and download them to the Pattern Generator.



SYMBOL Subsystem Syntax Diagram

<label_name> = string of up to 6 alphanumeric characters
<symbol_name> = string of up to 16 alphanumeric characters
<pattern_value> = string of one of the following forms:
 '#B01X...' for binary
 '#Q01234567X..' for octal
 '#H0123456789ABCDEFX...' for hexadecimal
 '0123456789...' for decimal
<start_value> = string of one of the following forms:
 '#B01...' for binary
 '#Q01234567..' for octal
 '#H0123456789ABCDEF...' for hexadecimal
 '0123456789...' for decimal
<stop_value> = string of one of the following forms:
 '#B01...' for binary
 '#Q01234567..' for octal
 '#H0123456789ABCDEF...' for hexadecimal
 '0123456789...' for decimal
<width_value> = integer from 1 to 16



BASE

Command The BASE command sets the base in which symbols for the specified label will be displayed in the symbol menu. It also specifies the base in which the symbol offsets are displayed when symbols are used.

Note that BINary is not available for labels with more than 20 bits assigned. In this case the base will default to HEXadecimal.

Command Syntax: :SYMBOL:BASE <label_name> , <base_value>

<label_name> string of up to 6 alphanumeric characters

<base_value> {BINary | HEXadecimal | OCTal | DECimal | ASCii }

Example OUTPUT XXX;":SYMBOL:BASE 'DATA',HEXadecimal"

PATTERN

Command The PATTERN command allows you to specify a symbol for a pattern on the specified label. The pattern may contain "don't cares" in the form of XX...X's.

Command Syntax: :SYMBOL:PATTERN<label_name>,<symbol_name>,<pattern_value>

<label_name> string of up to 6 alphanumeric characters

<symbol_name> string of up to 16 alphanumeric characters

<pattern_value> string of one of the following forms:

'#B01X... ' for binary

'#Q01234567X.. ' for octal

'#H0123456789ABCDEFX... ' for hexadecimal

'0123456789... ' for decimal

Example

OUTPUT XXX;":SYMBOL:PATTERN 'STAT', 'MEM_RD','#H01XX'"

RANGe

Command The RANGe command allows you to create a symbol for a range of values on a label. Note that Don't Cares are not allowed in range symbols.

Command Syntax: :SYMBOL:RANGe<label_name>,<symbol_name>,
 <start_value>,<stop_value>

<label_name> string of up to 6 alphanumeric characters

<symbol_name> string of up to 16 alphanumeric characters

<start_value> string in one of the following forms:

<stop_value> '#B01...' for binary

 '#Q01234567..' for octal

 '#H0123456789ABCDEF...' for hexadecimal

 '0123456789...' for decimal

Example

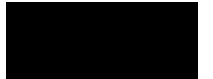
OUTPUT XXX;" :SYMBOL:RANGe 'STAT',
'IO_ACCESS',' #H0000',' #H000F'"

REMOve

Command The REMove command deletes all symbols from the symbol menu.

Command Syntax: :SYMBOL:REMOve

Example OUTPUT XXX; ":SYMBOL:REMOve"



WIDTH

Command The WIDTH command specifies the number of characters displayed when symbols are used.
Note that the WIDTH command does not affect the displayed length of the symbol value.

Command Syntax: :SYMBOL:WIDTH <label_name>,<width_value>

<label_name> string of up to 6 alphanumeric characters

<width_value> integer from 1 to 16

Example OUTPUT XXX;":SYMBOL:WIDTH 'DATA',9 "



DATA and SETup Commands

Data and Setup Commands

The DATA and SETup commands are system commands that allow you to send and receive instrument configuration, setup and program data to and from a controller in block form. This is useful for saving block data for re-loading the pattern generator. This chapter explains how to use these commands.

The block data for the DATA command is broken into byte positions and descriptions. The SETup command block data is not described in detail. No changes should be made to the "config" section of the block data.

Definition of Block Data

Block data is made up of a block length specifier and a variable number of sections.

```
<block length specifier><section 1>...<section N>
```

```
<block length specifier> #8<length>
```

```
<length> the total length of all sections in byte format (must be represented with 8 digits)
```

Example

If the total length of the block (all sections) is 14506 bytes, the block length specifier would be "#800014506" since the length must be represented with 8 digits.

Sections consist of a section header followed by the section data as follows:

```
<section> <section header><section data>
```

```
<section header> 16 bytes total: 10 bytes for the section name, 1 byte reserved (always 0),  
1 byte for the module ID code (25 for pattern generator),  
4 bytes for the length of the data in bytes
```

<section data> The section data format varies for each section and may be any length.

Note that the total length of a section is 16 (for the section header) plus the length of the section data. Thus, when calculating the length of a block of configuration data, don't forget to add the length of the headers.

Example

```
10 DIM Block$[32000] !allocate enough memory for block data
20 DIM Specifier$[2]
30 OUTPUT XXX;"EOI ON"
40 OUTPUT XXX;"SYSTEM:HEAD OFF"
50 OUTPUT XXX;"SELECT 1" !select module
60 OUTPUT XXX;"SYSTEM:DATA?" !send the data query
70 ENTER XXX USING"#,2A";Specifier$ !read in #8
80 ENTER XXX USING"#,8D",Blocklength !read in block length
90 ENTER XXX USING"-K",Block$ !read in data
```

SYSTem:DATA

The DATA command is used to send and receive the pattern generator main program listings and the macro listings. The complete pattern generator data block consists of two sections not counting the SYMBOL section. The sections are:

Section 1 "DATA "

Section 2 "MACROS "

Command Syntax: :SYSTem:DATA <block data>

Query Syntax: :SYSTem:DATA?

Returned Format: [:SYSTem:DATA] <block data><NL>

Section 1 "DATA "

The Main Program section contains the program listing data in binary form. The length of this section depends on the length of the program listing.

Section 2 "MACROS "

The MACROS section contains all the program listing for all the macros. The length of this section varies depending on the length of the macro listings.

SYSTem:SETup

The SETup command for the pattern generator is used to configure system parameters, such as the pod and bit assignment, clock rates, and output mode by loading saved configurations.

The "CONFIG" section consists of 4082 bytes of information which fully describe the main parameters for the pattern generator. The total length of the section is 4082 bytes (recall that the section header is 16 bytes).

The data in this section of the block should not be changed to ensure proper pattern generator operation.

Command Syntax: :SYSTem:SETup <block data>

Query Syntax: :SYSTem:SETup?

Returned Format: [:SYSTem:SETup] <block data><NL>



Programming Examples

Programming Examples



Introduction

This chapter contains short, usable, and tested program examples that cover the most asked for examples. The following examples are written in HP BASIC 6.2.

- Making a timing analyzer measurement
- Making a state analyzer measurement
- Making a state compare measurement
- Transferring logic analyzer configuration between the logic analyzer and the controller
- Transferring logic analyzer data between the logic analyzer and the controller
- Checking for measurement completion
- Sending queries to the logic analyzer
- Getting ASCII data with PRINT? ALL query
- Reading a disk catalog
- Printing to the disk using PRINT? ALL
- Transferring waveform data in byte format
- Transferring waveform data in word format
- Using AUToscale and the MEASure:ALL? Query
- Using subroutines in a measurement program

Making a timing analyzer measurement

This program sets up the logic analyzer to make a simple timing analyzer measurement. This example can be used with E2433-60013 Logic Analyzer Training board to acquire and display the output of the ripple counter. It can also be modified to make any timing analyzer measurement.

```

10  ! ***** TIMING ANALYZER EXAMPLE *****
20  !           for the HP 1660E/ES/EP-series Logic Analyzer
30  !
40  ! *****
50  ! Select the logic analyzer.
60  ! Always a 1 for the HP 1660E/ES/EP-series logic analyzers.
70  !
80  OUTPUT 707;":SELECT 1"
90  !
100 ! *****
110 ! Name Machine 1 "TIMING," configure Machine 1 as a timing analyzer,
120 ! and assign pod 1 to Machine 1.
130 !
140 OUTPUT 707;":MACH1:NAME 'TIMING'"
150 OUTPUT 707;":MACH1:TYPE TIMING"
160 OUTPUT 707;":MACH1:ASSIGN 1"
170 !
180 ! *****
190 ! Make a label "COUNT," give the label a positive polarity, and
200 ! assign the lower 8 bits.
210 !
220 OUTPUT 707;":MACHINE1:TFORMAT:REMOVE ALL"
230 OUTPUT 707;":MACH1:TFORMAT:LABEL 'COUNT',POS,0,0,#B000000011111111"
240 !
250 ! *****
260 ! Specify FF hex for resource term A, which is the default trigger term
for
270 ! the timing analyzer.
280 !
290 OUTPUT 707;":MACH1:TTRACE:TERM A, 'COUNT', '#HFF'"
300 !
310 ! *****
320 ! Remove any previously inserted labels, insert the "COUNT"
330 ! label, change the seconds-per-division to 100 ns, and display the
340 ! waveform menu.

```

Programming Examples
Making a timing analyzer measurement

```
350  !
360  OUTPUT 707;":MACH1:TWAVEFORM:REMOVE"
370  OUTPUT 707;":MACH1:TWAVEFORM:INSERT 'COUNT', ALL"
380  OUTPUT 707;":MACH1:TWAVEFORM:RANGE 1E-6"
390  OUTPUT 707;":MENU 1,5"
400  !
410  ! *****
420  ! Run the timing analyzer in single mode.
430  !
440  OUTPUT 707;":RMODE SINGLE"
450  OUTPUT 707;":START"
460  !
470  ! *****
480  ! Set the marker mode (MMODE) to time so that time tags are available
490  ! for marker measurements. Place the X-marker on 03 hex and the O-
500  ! marker on 07 hex. Then tell the timing analyzer to find the first
510  ! occurrence of 03h after the trigger and the first occurrence of 07h
520  ! after the X-marker is found.
530  !
540  OUTPUT 707;":MACHINE1:TWAVEFORM:MMODE TIME"
550  !
560  OUTPUT 707;":MACHINE1:TWAVEFORM:XPATTERN 'COUNT', '#H03'"
570  OUTPUT 707;":MACHINE1:TWAVEFORM:OPATTERN 'COUNT', '#H07'"
580  !
590  OUTPUT 707;":MACHINE1:TWAVEFORM:XCONDITION ENTERING"
600  OUTPUT 707;":MACHINE1:TWAVEFORM:OCONDITION ENTERING"
610  !
620  OUTPUT 707;":MACHINE1:TWAVEFORM:XSEARCH +1, TRIGGER"
630  OUTPUT 707;":MACHINE1:TWAVEFORM:OSEARCH +1, XMARKER"
640  !
650  ! *****
660  ! Turn the longform and headers on, dimension a string for the query
670  ! data, send the XOTIME query and print the string containing the
680  ! XOTIME query data.
690  !
700  OUTPUT 707;":SYSTEM:LONGFORM ON"
710  OUTPUT 707;":SYSTEM:HEADER ON"
720  !
730  DIM Mtime$[100]
740  OUTPUT 707;":MACHINE1:TWAVEFORM:XOTIME?"
750  ENTER 707;Mtime$
760  PRINT Mtime$
770  END
```

Making a state analyzer measurement

This state analyzer program selects the HP 1660E/ES/EP-series logic analyzer, displays the configuration menu, defines a state machine, displays the state trigger menu, sets a state trigger for multilevel triggering. This program then starts a single acquisition measurement while checking for measurement completion.

This program is written so that you can run it with the HP E2433-60004 Logic Analyzer Training Board. This example is the same as the "Multilevel State Triggering" example in chapter 5 of the Logic Analyzer Training Kit.

```

10      ! ***** STATE ANALYZER EXAMPLE *****
20      !               for the HP 1660E/ES/EP-series Logic Analyzers
30      !
40      ! ***** SELECT THE LOGIC ANALYZER *****
50      ! Select the logic analyzer.
60      ! Always a 1 for the HP 1660E/ES/EP-series logic analyzers.
70      !
80      OUTPUT 707;":SELECT 1"
90      !
100     ! ***** CONFIGURE THE STATE ANALYZER *****
110     ! Name Machine 1 "STATE," configure Machine 1 as a state analyzer, assign
120     ! pod 1 to Machine 1, and display System External I/O menu of the
130     ! logic analyzer.
140     !
150     OUTPUT 707;":MACHINE1:NAME 'STATE'"
160     OUTPUT 707;":MACHINE1:TYPE STATE"
170     OUTPUT 707;":MACHINE1:ASSIGN 1"
180     OUTPUT 707;":MENU 1,0"
190     !
200     ! ***** SETUP THE FORMAT SPECIFICATION *****
210     ! Make a label "SCOUNT," give the label a positive polarity, and
220     ! assign the lower 8 bits.
230     !
240     OUTPUT 707;":MACHINE1:SFORMAT:REMOVE ALL"
250     OUTPUT 707;":MACHINE1:SFORMAT:LABEL 'SCOUNT', POS, 0,0,255"
260     OUTPUT 707;":MACHINE1:SFORMAT:MASTER J,RISING"
270     OUTPUT 707;":MACHINE1:SFORMAT:MASTER K,OFF" ! Repeat for L, M, N, and P.
280     OUTPUT 707;":MACHINE1:SFORMAT:CLOCK1 MASTER" ! Needed only for clock used.

```


Programming Examples
Making a state analyzer measurement

```
290 ! ***** SETUP THE TRIGGER SPECIFICATION *****
300 ! The trigger specification will use five sequence levels with the trigger
310 ! level on level four. Resource terms A through E, and RANGE1 will be
320 ! used to store only desired counts from the 8-bit ripple counter.
330 ! Display the state trigger menu.
340 OUTPUT 707;":MENU 1,3"
350 !
360 ! Create a 5 level trigger specification with the trigger on the
370 ! fourth level.
380 !
390 OUTPUT 707;":MACHINE1:STRIGGER:SEQUENCE 5,4"
400 !
410 ! Define pattern terms A, B, C, D, and E to be 11, 22, 33, 44 and 59
420 ! decimal respectively.
430 !
440 OUTPUT 707;":MACHINE1:STRIGGER:TERM A,'SCOUNT','11'"
450 OUTPUT 707;":MACHINE1:STRIGGER:TERM B,'SCOUNT','22'"
460 OUTPUT 707;":MACHINE1:STRIGGER:TERM C,'SCOUNT','33'"
470 OUTPUT 707;":MACHINE1:STRIGGER:TERM D,'SCOUNT','44'"
480 OUTPUT 707;":MACHINE1:STRIGGER:TERM E,'SCOUNT','59'"
490 !
500 ! Define a Range having a lower limit of 50 and an upper limit of 58.
510 !
520 OUTPUT 707;":MACHINE1:STRIGGER:RANGE1 'SCOUNT','50','58'"
530 !
540 ! ***** CONFIGURE SEQUENCE LEVEL 1 *****
550 ! Store NOSTATE in level 1 and Then find resource term "A" once.
560 !
570 OUTPUT 707;":MACHINE1:STRIGGER:STORE1 'NOSTATE'"
580 OUTPUT 707;":MACHINE1:STRIGGER:FIND1 'A',1"
590 !
600 ! ***** CONFIGURE SEQUENCE LEVEL 2 *****
610 ! Store RANGE1 in level 2 and Then find resource term "E" once.
620 !
630 OUTPUT 707;":MACHINE1:STRIGGER:STORE2 'IN_RANGE1'"
640 OUTPUT 707;":MACHINE1:STRIGGER:FIND2 'E',1"
650 !
660 ! ***** CONFIGURE SEQUENCE LEVEL 3 *****
670 ! Store NOSTATE in level 3 and Then find term "B" once.
680 !
690 OUTPUT 707;":MACHINE1:STRIGGER:STORE3 'NOSTATE'"
700 OUTPUT 707;":MACHINE1:STRIGGER:FIND3 'B',1"
710 !
720 ! ***** CONFIGURE SEQUENCE LEVEL 4 *****
730 ! Store a combination of resource terms (C or D or RANGE1) in level 4 and
```

```

740 ! Then Trigger on resource term "E."
750 !
760 OUTPUT 707;":MACHINE1:STRIGGER:STORE4 '(C OR D OR IN_RANGE1)'"
770 !
780 ! ***** NOTE *****
790 !     The FIND command selects the trigger in the
800 !     sequence level specified as the trigger level.
810 ! *****
820 !
830 OUTPUT 707;":MACHINE1:STRIGGER:FIND4 'E',1"
840 !
850 ! ***** CONFIGURE SEQUENCE LEVEL 5 *****
860 ! Store anystate on level 5
870 !
880 OUTPUT 707;":MACHINE1:STRIGGER:STORE5 'ANYSSTATE'"
890 !
900 ! ***** START ACQUISITION *****
910 ! Place the logic analyzer in single acquisition mode, then determine when
920 ! the acquisition is complete.
930 !
940 OUTPUT 707;":RMODE SINGLE"
950 !OUTPUT 707;":*CLS"
960 OUTPUT 707;":START"
970 !
980 ! ***** CHECK FOR MEASUREMENT COMPLETE *****
990 ! Enable the MESR register and query the register for a measurement
1000 ! complete condition.
1010 !
1020 OUTPUT 707;":SYSTEM:HEADER OFF"
1030 OUTPUT 707;":SYSTEM:LONGFORM OFF"
1040 !
1050 Status=0
1060 OUTPUT 707;":MESE1 1"
1070 OUTPUT 707;":MESR1?"
1080 ENTER 707;Status
1090 !
1100 ! Print the MESR register status.
1110 !
1120 CLEAR SCREEN
1130 PRINT "Measurement complete status is ";Status
1140 PRINT "0 = not complete, 1 = complete"
1150 ! Repeat the MESR query until measurement is complete.
1160 WAIT 1
1170 IF (Status AND 1)=1 THEN GOTO 1190
1180 GOTO 1070

```

Programming Examples
Making a state analyzer measurement

```
1190 PRINT TABXY(30,15);"Measurement is complete"
1200 !
1210 ! ***** VIEW THE RESULTS *****
1220 ! Display the State Listing and select a line number in the listing that
1230 ! allows you to see the beginning of the listing on the logic analyzer
1240 ! display.
1250 !
1260 OUTPUT 707;":MACHINE1:SLIST:COLUMN 1, 'SCOUNT', DECIMAL"
1270 OUTPUT 707;":MENU 1,7"
1280 OUTPUT 707;":MACHINE1:SLIST:LINE -16"
1290 !
1300 END
```

Making a state compare measurement

This program example acquires a state listing, copies the listing to the compare listing, acquires another state listing, and compares both listings to find differences.

This program is written so that you can run it with the HP E2433-60012 Logic Analyzer Training Board. This example is the same as the "Comparing State Traces" example in chapter 4 of the Logic Analyzer Training Kit.

```

10      ! ***** STATE COMPARE EXAMPLE *****
20      !           for the HP 1660E/ES/EP-series Logic Analyzers
30      !
40      !
50      !***** SELECT THE LOGIC ANALYZER *****
60      ! Select the logic analyzer.
70      ! Always a 1 for the HP 1660E/ES/EP-series logic analyzers.
80      !
90      OUTPUT 707;":SELECT 1"
100     !
110     !***** CONFIGURE THE STATE ANALYZER *****
120     ! Name Machine 1 "STATE," configure Machine 1 as a state analyzer, and
130     ! assign pod 1 to Machine 1.
140     !
150     OUTPUT 707;":MACHINE1:NAME 'STATE'"
160     OUTPUT 707;":MACHINE1:TYPE STATE"
170     OUTPUT 707;":MACHINE1:ASSIGN 1"
180     !
190     ! *****
200     ! Remove all labels previously set up, make a label "SCOUNT," specify
210     ! positive logic, and assign the lower 8 bits of pod 1 to the label.
220     !
230     OUTPUT 707;":MACHINE1:SFORMAT:REMOVE ALL"
240     OUTPUT 707;":MACHINE1:SFORMAT:LABEL 'SCOUNT', POS, 0,0,255"
250     !
260     ! *****
270     ! Make the "J" clock the Master clock and specify the falling edge.
280     !
290     OUTPUT 707;":MACHINE1:SFORMAT:MASTER J, FALLING"
300     !
310     ! *****
320     ! Specify two sequence levels, the trigger sequence level, specify
330     ! FF hex for the "a" term which will be the trigger term, and store

```

Programming Examples
Making a state compare measurement

```
340 ! no states until the trigger is found.
350 !
360 OUTPUT 707;":MACHINE1:STRIGGER:SEQUENCE 2,1"
370 OUTPUT 707;":MACHINE1:STRIGGER:TERM A,'SCOUNT','#HFF'"
380 OUTPUT 707;":MACHINE1:STRIGGER:STORE1 'NOSTATE'"
390 OUTPUT 707;":MENU 1,3"
400 !
410 ! *****
420 ! Change the displayed menu to the state listing and start the state
430 ! analyzer in repetitive mode.
440 !
450 OUTPUT 707;":MENU 1,7"
460 OUTPUT 707;":RMODE REPETITIVE"
470 OUTPUT 707;":START"
480 !
490 ! *****
500 ! The logic analyzer is now running in the repetitive mode
510 ! and will remain in repetitive until the STOP command is sent.
520 !
530 PRINT "The logic analyzer is now running in the repetitive mode"
540 PRINT "and will remain in repetitive until the STOP command is sent."
550 PRINT
560 PRINT "Press CONTINUE"
570 PAUSE
580 !
590 ! *****
600 ! Stop the acquisition and copy the acquired data to the compare reference
610 ! listing.
620 !
630 OUTPUT 707;":STOP"
640 OUTPUT 707;":MENU 1,10"
650 OUTPUT 707;":MACHINE1:COMPARE:MENU REFERENCE"
660 OUTPUT 707;":MACHINE1:COMPARE:COPY"
670 !
680 ! The logic analyzer acquisition is now stopped, the Compare menu
690 ! is displayed, and the data is now in the compare reference
700 ! listing.
710 !
720 ! *****
730 ! Display line 4090 of the compare listing and start the analyzer
740 ! in a repetitive mode.
750 !
760 OUTPUT 707;":MACHINE1:COMPARE:LINE 4090"
770 OUTPUT 707;":START"
780 !
```

```
790 ! Line 4090 of the listing is now displayed at center screen
800 ! in order to show the last four states acquired. In this
810 ! example, the last four states are stable. However, in some
820 ! cases, the end points of the listing may vary thus causing
830 ! a false failure in compare. To eliminate this problem, a
840 ! partial compare can be specified to provide predictable end
850 ! points of the data.
860 !
870 PRINT "Press CONTINUE to send the STOP command."
880 PAUSE
890 OUTPUT 707;":STOP"
900 !
910 !*****
920 ! The end points of the compare can be fixed to prevent false failures.
930 ! In addition, you can use partial compare to compare only sections
940 ! of the state listing you are interested in comparing.
950 !
960 OUTPUT 707;":MACHINE1:COMPARE:RANGE PARTIAL, 0, 508"
970 !
980 ! The compare range is now from line 0 to +508
990 !
1000 !*****
1010 ! Change the Glitch jumper settings on the training board so that the
1020 ! data changes, reacquire the data and compare which states are different.
1030 PRINT "Change the glitch jumper settings on the training board so that
the"
1040 PRINT "data changes, reacquire the data and compare which states are
different."
1050 !
1060 PRINT "Press CONTINUE when you have finished changing the jumper."
1070 !
1080 PAUSE
1090 !
1100 !*****
1110 ! Start the logic analyzer to acquire new data and then stop it to compare
1120 ! the data. When the acquisition is stopped, the Compare Listing Menu will
1130 ! be displayed.
1140 !
1150 OUTPUT 707;":START"
1160 OUTPUT 707;":STOP"
1170 OUTPUT 707;":MENU 1,10"
1180 !
1190 !*****
1200 ! Dimension strings in which the compare find query (COMPARE:FIND?)
1210 ! enters the line numbers and error numbers.
```

Programming Examples
Making a state compare measurement

```
1220 !
1230 DIM Line$(20)
1240 DIM Error$(4)
1250 DIM Comma$(1)
1260 !
1270 ! *****
1280 ! Display the Difference listing.
1290 !
1300 OUTPUT 707;":MACHINE1:COMPARE:MENU DIFFERENCE"
1310 !
1320 ! *****
1330 ! Loop to query all 508 possible errors.
1340 !
1350 FOR Error=1 TO 508
1360 !
1370 ! Read the compare differences
1380 !
1390 OUTPUT 707;":MACHINE1:COMPARE:FIND? "&VAL$(Error)
1400 !
1410 ! *****
1420 ! Format the Error$ string data for display on the controller screen.
1430 !
1440 IF Error99 THEN GOTO 1580
1450 IF Error9 THEN GOTO 1550
1460 !
1470 ENTER 707 USING "#,1A";Error$
1480 ENTER 707 USING "#,1A";Comma$
1490 ENTER 707 USING "K";Line$
1500 Error_return=IVAL(Error$,10)
1510 IF Error_return=0 THEN GOTO 1820
1520 !
1530 GOTO 1610
1540 !
1550 ENTER 707 USING "#,3A";Error$
1560 ENTER 707 USING "K";Line$
1570 GOTO 1610
1580 !
1590 ENTER 707 USING "#,4A";Error$
1600 ENTER 707 USING "K";Line$
1610 !
1620 ! *****
1630 ! Test for the last error. The error number of the last error is the same
1640 ! as the error number of the first number after the last error.
1650 !
1660 Error_line=IVAL(Line$,10)
```

```
1670 IF Error_line=Error_line2 THEN GOTO 1780
1680 Error_line2=Error_line
1690 !
1700 ! *****
1710 ! Print the error numbers and the corresponding line numbers on the
1720 ! controller screen.
1730 !
1740 PRINT "Error number ",Error," is on line number ",Error_line
1750 !
1760 NEXT Error
1770 !
1780 PRINT
1790 PRINT
1800 PRINT "Last error found"
1810 GOTO 1850
1820 PRINT "No errors found"
1830 !
1840 !
1850 END
```


Transferring the logic analyzer configuration

This program uses the `SYSTEM:SETup` query to transfer the configuration of the logic analyzer to your controller. This program also uses the `SYSTEM:SETup` command to transfer a logic analyzer configuration from the controller back to the logic analyzer. The configuration data will set up the logic analyzer according to the data. The `SYSTEM:SETup` command differs from the `SYSTEM:DATA` command because it only transfers the configuration and not acquired data.

```
10  ! ***** SETUP COMMAND AND QUERY EXAMPLE *****
20  !               for the HP 1660E/ES/EP-series logic analyzers
30  !
***  ! ***** CREATE TRANSFER BUFFER *****
50  ! Create a buffer large enough for the block data.  See page 27-6 for
55  ! maximum block length.
56  !
60  ASSIGN @Buff TO BUFFER [170000]
70  !
80  ! ***** INITIALIZE HPIB DEFAULT ADDRESS *****
90  !
100 REAL Address
110 Address=707
120 ASSIGN @Comm TO Address
130 !
140 CLEAR SCREEN
150 !
160 ! ***** INITIALIZE VARIABLE FOR NUMBER OF BYTES *****
170 ! The variable "Numbytes" contains the number of bytes in the buffer.
180 !
190 REAL Numbytes
200 Numbytes=0
210 !
220 ! ***** RE-INITIALIZE TRANSFER BUFFER POINTERS *****
230 !
240 CONTROL @Buff,3;1
250 CONTROL @Buff,4;0
260 !
270 ! ***** SEND THE SETUP QUERY *****
280 OUTPUT 707;":SYSTEM:HEADER ON"
290 OUTPUT 707;":SYSTEM:LONGFORM ON"
300 OUTPUT @Comm;"SELECT 1"
```

```
310 OUTPUT @Comm; ":SYSTEM:SETUP?"
320 !
330 ! ***** ENTER THE BLOCK SETUP HEADER *****
340 ! Enter the block setup header in the proper format.
350 !
360 ENTER @Comm USING "#,B";Byte
370 PRINT CHR$(Byte);
380 WHILE Byte<>35
390     ENTER @Comm USING "#,B";Byte
400     PRINT CHR$(Byte);
410 END WHILE
420 ENTER @Comm USING "#,B";Byte
430 PRINT CHR$(Byte);
440 Byte=Byte-48
450 IF Byte=1 THEN ENTER @Comm USING "#,D";Numbytes
460 IF Byte=2 THEN ENTER @Comm USING "#,DD";Numbytes
470 IF Byte=3 THEN ENTER @Comm USING "#,DDD";Numbytes
480 IF Byte=4 THEN ENTER @Comm USING "#,DDDD";Numbytes
490 IF Byte=5 THEN ENTER @Comm USING "#,DDDDD";Numbytes
500 IF Byte=6 THEN ENTER @Comm USING "#,DDDDDD";Numbytes
510 IF Byte=7 THEN ENTER @Comm USING "#,DDDDDDD";Numbytes
520 IF Byte=8 THEN ENTER @Comm USING "#,DDDDDDDD";Numbytes
530 PRINT Numbytes
540 !
550 ! ***** TRANSFER THE SETUP *****
560 ! Transfer the setup from the logic analyzer to the buffer.
570 !
580 TRANSFER @Comm TO @Buff;COUNT Numbytes,WAIT
600 !
610 ENTER @Comm USING "-K";Length$
620 PRINT "LENGTH of Length string is";LEN(Length$)
630 !
640 PRINT "**** GOT THE SETUP ****"
650 PAUSE
660 ! ***** SEND THE SETUP *****
670 ! Make sure buffer is not empty.
680 !
690 IF Numbytes=0 THEN
700     PRINT "BUFFER IS EMPTY"
710     GOTO 1170
720 END IF
730 !
740 ! ***** SEND THE SETUP COMMAND *****
750 ! Send the Setup command
760 !
```

Programming Examples
Transferring the logic analyzer configuration

```
770 OUTPUT @Comm USING "#,15A";":SYSTEM:SETUP #"
780 PRINT "SYSTEM:SETUP command has been sent"
790 PAUSE
800 !
810 ! ***** SEND THE BLOCK SETUP *****
820 ! Send the block setup header to the logic analyzer in the proper format.
830 !
840 Byte=LEN(VAL$(Numbytes))
850 OUTPUT @Comm USING "#,B";(Byte+48)
860 IF Byte=1 THEN OUTPUT @Comm USING "#,A";VAL$(Numbytes)
870 IF Byte=2 THEN OUTPUT @Comm USING "#,AA";VAL$(Numbytes)
880 IF Byte=3 THEN OUTPUT @Comm USING "#,AAA";VAL$(Numbytes)
890 IF Byte=4 THEN OUTPUT @Comm USING "#,AAAA";VAL$(Numbytes)
900 IF Byte=5 THEN OUTPUT @Comm USING "#,AAAAA";VAL$(Numbytes)
910 IF Byte=6 THEN OUTPUT @Comm USING "#,AAAAAA";VAL$(Numbytes)
920 IF Byte=7 THEN OUTPUT @Comm USING "#,AAAAAAA";VAL$(Numbytes)
930 IF Byte=8 THEN OUTPUT @Comm USING "#,AAAAAAA";VAL$(Numbytes)
940 !
950 ! ***** SAVE BUFFER POINTERS *****
960 ! Save the transfer buffer pointer so it can be restored after the
970 ! transfer.
980 !
990 STATUS @Buff,5;Streg
1000 !
1010 ! ***** TRANSFER SETUP TO THE HP 16550 *****
1020 ! Transfer the setup from the buffer to the HP 1660E.
1030 !
1040 TRANSFER @Buff TO @Comm;COUNT Numbytes,WAIT
1050 !
1060 ! ***** RESTORE BUFFER POINTERS *****
1070 ! Restore the transfer buffer pointer
1080 !
1090 CONTROL @Buff,5;Streg
1100 !
1110 ! ***** SEND TERMINATING LINE FEED *****
1120 ! Send the terminating linefeed to properly terminate the setup string.
1130 !
1140 OUTPUT @Comm;" "
1150 !
1160 PRINT "**** SENT THE SETUP ****"
1170 END
```

Transferring the logic analyzer acquired data

This program uses the `SYSTEM:DATA` query to transfer acquired data to your controller. It is useful for getting acquired data for setting up the logic analyzer by the controller at a later time. This query differs from the `SYSTEM:SETup` query because it transfers only the acquired data.

This program also uses the `SYSTEM:DATA` command to transfer the logic analyzer data from the controller back to the logic analyzer and load the analyzer with the acquired data. The `SYSTEM:DATA` command differs from the `SYSTEM:SETup` command because it transfers both the configuration and the acquired data.

You should always precede the `SYSTEM:DATA` query and command with the `SYSTEM:SETup` query and command if the acquired data depends on a specific configuration. If you are only interested in the acquired data for post processing in the controller and the data is not dependent on the configuration, you can use the `SYSTEM:DATA` query and command alone.

```
10 ! ***** DATA COMMAND AND QUERY EXAMPLE *****
20 !           for the HP 1660E/ES/EP-series logic analyzers
30 !
40 ! ***** CREATE TRANSFER BUFFER *****
50 ! Create a buffer large enough for the block data. See page 27-6 for
55 ! maximum block length.
56 !
60 ASSIGN @Buff TO BUFFER [170000]
70 !
80 ! ***** INITIALIZE HPIB DEFAULT ADDRESS *****
90 !
100 REAL Address
110 Address=707
120 ASSIGN @Comm TO Address
130 !
140 CLEAR SCREEN
150 !
160 ! ***** INITIALIZE VARIABLE FOR NUMBER OF BYTES *****
170 ! The variable "Numbytes" contains the number of bytes in the buffer.
180 !
190 REAL Numbytes
```

Programming Examples
Transferring the logic analyzer acquired data

```
200 Numbytes=0
210 !
220 ! ***** RE-INITIALIZE TRANSFER BUFFER POINTERS *****
230 !
240 CONTROL @Buff,3;1
250 CONTROL @Buff,4;0
260 !
270 ! ***** SEND THE DATA QUERY *****
280 OUTPUT 707;":SYSTEM:HEADER ON"
290 OUTPUT 707;":SYSTEM:LONGFORM ON"
300 OUTPUT @Comm;"SELECT 1"
310 OUTPUT @Comm;":SYSTEM:DATA?"
320 !
330 ! ***** ENTER THE BLOCK DATA HEADER *****
340 ! Enter the block data header in the proper format.
350 !
360 ENTER @Comm USING "#,B";Byte
370 PRINT CHR$(Byte);
380 WHILE Byte<>35
390     ENTER @Comm USING "#,B";Byte
400     PRINT CHR$(Byte);
410 END WHILE
420 ENTER @Comm USING "#,B";Byte
430 PRINT CHR$(Byte);
440 Byte=Byte-48
450 IF Byte=1 THEN ENTER @Comm USING "#,D";Numbytes
460 IF Byte=2 THEN ENTER @Comm USING "#,DD";Numbytes
470 IF Byte=3 THEN ENTER @Comm USING "#,DDD";Numbytes
480 IF Byte=4 THEN ENTER @Comm USING "#,DDDD";Numbytes
490 IF Byte=5 THEN ENTER @Comm USING "#,DDDDD";Numbytes
500 IF Byte=6 THEN ENTER @Comm USING "#,DDDDDD";Numbytes
510 IF Byte=7 THEN ENTER @Comm USING "#,DDDDDDD";Numbytes
520 IF Byte=8 THEN ENTER @Comm USING "#,DDDDDDDD";Numbytes
530 PRINT Numbytes
540 !
550 ! ***** TRANSFER THE DATA *****
560 ! Transfer the data from the logic analyzer to the buffer.
570 !
580 TRANSFER @Comm TO @Buff;COUNT Numbytes,WAIT
600 !
610 ENTER @Comm USING "-K";Length$
620 PRINT "LENGTH of Length string is";LEN(Length$)
630 !
640 PRINT "**** GOT THE DATA ****"
650 PAUSE
```

```
660 ! ***** SEND THE DATA *****
670 ! Make sure buffer is not empty.
680 !
690 IF Numbytes=0 THEN
700     PRINT "BUFFER IS EMPTY"
710     GOTO 1170
720 END IF
730 !
740 ! ***** SEND THE DATA COMMAND *****
750 ! Send the Setup command
760 !
770 OUTPUT @Comm USING "#,14A";":SYSTEM:DATA #"
780 PRINT "SYSTEM:DATA command has been sent"
790 PAUSE
800 !
810 ! ***** SEND THE BLOCK DATA *****
820 ! Send the block data header to the logic analyzer in the proper format.
830 !
840 Byte=LEN(VAL$(Numbytes))
850 OUTPUT @Comm USING "#,B";(Byte+48)
860 IF Byte=1 THEN OUTPUT @Comm USING "#,A";VAL$(Numbytes)
870 IF Byte=2 THEN OUTPUT @Comm USING "#,AA";VAL$(Numbytes)
880 IF Byte=3 THEN OUTPUT @Comm USING "#,AAA";VAL$(Numbytes)
890 IF Byte=4 THEN OUTPUT @Comm USING "#,AAAA";VAL$(Numbytes)
900 IF Byte=5 THEN OUTPUT @Comm USING "#,AAAAA";VAL$(Numbytes)
910 IF Byte=6 THEN OUTPUT @Comm USING "#,AAAAAA";VAL$(Numbytes)
920 IF Byte=7 THEN OUTPUT @Comm USING "#,AAAAAAA";VAL$(Numbytes)
930 IF Byte=8 THEN OUTPUT @Comm USING "#,AAAAA";VAL$(Numbytes)
940 !
950 ! ***** SAVE BUFFER POINTERS *****
960 ! Save the transfer buffer pointer so it can be restored after the
970 ! transfer.
980 !
990 STATUS @Buff,5;Streg
1000 !
1010 ! ***** TRANSFER DATA TO THE LOGIC ANALYZER *****
1020 ! Transfer the data from the buffer to the logic analyzer.
1030 !
1040 TRANSFER @Buff TO @Comm;COUNT Numbytes,WAIT
1050 !
1060 ! ***** RESTORE BUFFER POINTERS *****
1070 ! Restore the transfer buffer pointer
1080 !
1090 CONTROL @Buff,5;Streg
1100 !
```

Programming Examples
Transferring the logic analyzer acquired data

```
1110 ! ***** SEND TERMINATING LINE FEED *****
1120 ! Send the terminating linefeed to properly terminate the data string.
1130 !
1140 OUTPUT @Comm; " "
1150 !
1160 PRINT "**** SENT THE DATA ****"
1170 END
```

Checking for measurement completion

This program can be appended to or inserted into another program when you need to know when a measurement is complete. If it is at the end of a program it will tell you when measurement is complete. If you insert it into a program, it will halt the program until the current measurement is complete.

This program is also in the state analyzer example program in "Making a state analyzer measurement" on pages 43-5 through 43-8. It is included in the state analyzer example program to show how it can be used in a program to halt the program until measurement is complete.

```

420 ! ***** CHECK FOR MEASUREMENT COMPLETE *****
430 ! Enable the MESR register and query the register for a measurement
440 ! complete condition.
450 !
460 OUTPUT 707;":SYSTEM:HEADER OFF"
470 OUTPUT 707;":SYSTEM:LONGFORM OFF"
480 !
490 Status=0
500 ! OUTPUT 707;":MESE1 1" ! No effect in 1660 analyzers
510 OUTPUT 707;":MESR1?"
520 ENTER 707;Status
530 !
540 ! Print the MESR register status.
550 !
560 CLEAR SCREEN
570 PRINT "Measurement complete status is ";Status
580 PRINT "0 or even number = not complete, odd number = complete"
590 ! Repeat the MESR query until measurement is complete.
600 WAIT 1
610 IF (Status AND 1)=1 THEN GOTO 630
620 GOTO 510
630 PRINT TABXY(30,15);"Measurement is complete"
640 !
650 END

```


Sending queries to the logic analyzer

This program example contains the steps required to send a query to the logic analyzer. Sending the query alone only puts the requested information in an output buffer of the logic analyzer. You must follow the query with an `ENTER` statement to transfer the query response to the controller. When the query response is sent to the logic analyzer, the query is properly terminated in the logic analyzer. If you send the query but fail to send an `ENTER` statement, the logic analyzer will display the error message "Query Interrupted" when it receives the next command from the controller and the query response is lost.

```
10  !***** QUERY EXAMPLE *****
19  !           for the HP 1660E/ES/EP-series Logic Analyzers
30  !
40  ! ***** OPTIONAL *****
50  ! The following two lines turn the headers and longform on so
60  ! that the query name, in its long form, is included in the
70  ! query response.
80  !
90  !           ***** NOTE *****
100 !           If your query response includes real
110 !           or integer numbers that you may want
120 !           to do statistics or math on later, you
130 !           should turn both header and longform
140 !           off so only the number is returned.
150 !           *****
160 !
170 OUTPUT 707;":SYSTEM:HEADER ON"
180 OUTPUT 707;":SYSTEM:LONGFORM ON"
190 !
200 ! *****
210 ! Select the slot in which the logic analyzer is located.
220 ! Always a 1 for the HP 1660-series logic analyzers.
230 OUTPUT 707;":SELECT 1"
240 !
250 ! *****
260 ! Dimension a string in which the query response will be entered.
270 !
280 DIM Query$[100]
290 !
300 ! *****
```

```
310 ! Send the query. In this example the MENU? query is sent. All
320 ! queries except the SYSTem:DATA and SYSTem:SETup can be sent with
330 ! this program.
340 !
350 OUTPUT 707;"MENU?"
360 !
370 ! *****
380 ! The two lines that follow transfer the query response from the
390 ! query buffer to the controller and then print the response.
400 !
410 ENTER 707;Query$
420 PRINT Query$
430 !
440 !
450 END
```

Getting ASCII Data with PRINT? ALL Query

This program example shows you how to get ASCII data from a state listing using the PRINT? ALL query. There are two things you must keep in mind:

- You must select the logic analyzer, always SELECT 1 for the HP 1660E/ES/EP-series logic analyzers.
- You must select the proper menu. The only menus that allow you to use the PRINT? ALL query are the listing menus and the disk menu.

```
10      !                      ***** ASCII DATA *****
20      !
30      !
40      ! This program gets STATE Listing data from the HP 1660E/ES/EP-series
logic
50      ! analyzers in ASCII form by using the PRINT? ALL query.
60      !
70      !*****
80      !
90      DIM Block$(32000)
100     OUTPUT 707;"EOI ON"
110     OUTPUT 707;":SYSTEM:HEAD OFF"
120     OUTPUT 707;":SELECT 1" ! Always a 1 for the HP 1660-series logic
130             ! analyzers.
140     !
150     OUTPUT 707;":MENU 1,7" ! Selects the Listing 1 menu. Print? All
160             ! will only work in Listing and Disk menus.
170     !
180     OUTPUT 707;":SYSTEM:PRINT? ALL"
190     ENTER 707 USING "-K";Block$
200     !
210     !*****
220     ! Now display the ASCII data you received.
230     !
240     PRINT USING "K";Block$
250     !
260     END
```

Reading the disk with the CAtalog? ALL query

The following example program reads the catalog of the disk currently in the logic analyzer disk drive. The CATALOG? ALL query returns the entire 70-character field. Because DOS directory entries are 70 characters long, you should use the CATALOG? ALL query with DOS disks.

```
10      !                ***** DISK CATALOG *****
20      !                using the CATALOG? query
30      !
40      DIM File$[100]
50      DIM Specifier$[2]
60      OUTPUT 707;":EOI ON"
70      OUTPUT 707;":SYSTEM:HEADER OFF"
80      !
90      OUTPUT 707;":MEMORY:CATALOG? ALL" ! send CATALOG? ALL query
100     !
110     ENTER 707 USING "#,2A";Specifier$ ! read in #8
120     ENTER 707 USING "#,8D";Length      ! read in block length
130     !
140     ! Read and print each file in the directory
150     !
160     FOR I=1 TO Length STEP 70
170         ENTER 707 USING "#,70A";File$
180         PRINT File$
190     NEXT I
200     ENTER 707 USING "A";Specifier$    ! read in final line feed
210     END
```

Reading the Disk with the CATALOG? Query

This example program uses the CATALOG? query without the ALL option to read the catalog of the disk currently in the logic analyzer disk drive. However, if you do not use the ALL option, the query only returns a 51-character field. Keep in mind if you use this program with a DOS disk, each filename entry will be truncated at 51 characters.

```
10      !                ***** DISK CATALOG *****
20      !                using the CATALOG? query
30      !
40      DIM File$[100]
50      DIM Specifier$[2]
60      OUTPUT 707;":EOI ON"
70      OUTPUT 707;":SYSTEM:HEADER OFF"
80      !
90      OUTPUT 707;":MEMORY:CATALOG?"          ! send CATALOG? query
100     !
110     ENTER 707 USING "#,2A";Specifier$      ! read in #8
120     ENTER 707 USING "#,8D";Length         ! read in block length
130     !
140     ! Read and print each file in the directory
150     !
160     FOR I=1 TO Length STEP 51
170         ENTER 707 USING "#,51A";File$
180         PRINT File$
190     NEXT I
200     ENTER 707 USING "A";Specifier$        ! read in final line feed
210     END
```

Printing to the disk

This program prints acquired data to a disk file. The file can be either on a LIF or DOS disk. If you print the file to a DOS disk, you will be able to view the file on a DOS-compatible computer.

```

10      !          ***** PRINTING TO A DISK FILE *****
20      !
30      !
40      ! This program prints the acquired data to a disk file.  It will
50      ! print to either a LIF or DOS file using the PRINT ALL command.
60      !
70      !*****
80      !
90      OUTPUT 707;":SELECT 1"  ! Always a 1 for the HP 1660E/ES/EP-series logic
100     ! analyzers.
110     !
120     OUTPUT 707;":MENU 1,7"  ! Selects the Listing 1 menu.  Print to disk
130     ! will only work in Listing and Disk menus.
140     !
150     OUTPUT 707;":SYSTEM:PRINT ALL, DISK, 'DISKFILE'"
160     !
170     !*****
180     ! Now display catalog to see that the file has been saved on the disk.
190     !
200     DIM File$[100]
210     DIM Specifier$[2]
220     OUTPUT 707;":EOI ON"
230     OUTPUT 707;":SYSTEM:HEADER OFF"
240     OUTPUT 707;":MMEMORY:CATALOG? ALL"
250     ENTER 707 USING "#,2A";Specifier$
260     ENTER 707 USING "#,8D";Length
270     FOR I=1 TO Length STEP 70
280         ENTER 707 USING "#,70A";File$
290         PRINT File$
300     NEXT I
310     ENTER 707 USING "A";Specifier$
320     END

```

Transferring waveform data in byte format

This program sets up the oscilloscope to move oscilloscope waveform data from the HP 1660ES-series to a controller in byte format.

```
10  !           Transferring Waveform Data
20  !           Byte Format
30  !
40  CLEAR 707
50  !***** Select the oscilloscope *****I*****
60  !
70  OUTPUT 707;":SELECT 2"
80  !
90  !***** Set EOI on and Headers Off *****
100 OUTPUT 707;":EOI ON"
110 OUTPUT 707;":SYSTEM:HEADER OFF"
120 !
130 !***** Set up the Oscilloscope *****
140 !
150 OUTPUT 707;":ACQUIRE:TYPE NORMAL"
160 OUTPUT 707;":WAVEFORM:SOURCE CHANNEL1"
170 OUTPUT 707;":WAVEFORM:FORMAT BYTE"
180 OUTPUT 707;":WAVEFORM:RECORD FULL"
190 !
200 !***** Start Waveform Acquisition *****
210 OUTPUT 707;":AUTOSCALE"
220 !
230 ! ***** Dimension a string for the data *****
240 !
250 DIM Header$(20)
260 !
270 ! ***** Digitize the data and display Waveform menu ***
280 !
290 OUTPUT 707; ":DIGITIZE"
300 OUTPUT 707; ":MENU 2,3"
310 WAIT 5
320 Length=8000
330 ALLOCATE INTEGER Waveform(1:Length)
340 !
350 !***** Transfer the waveform data *****
360 !
370 OUTPUT 707;":WAVEFORM:DATA?"
380 ENTER 707 USING "#,10A";Header$
```

```
390 ENTER 707 USING "#,B";Waveform(*)
400 ENTER 707 USING "#,B";Lastchar
410 !
420 !***** Print the waveform data *****
430 PRINT "Header = ";Header$
440 PRINT
450 PRINT "Press CONTINUE to display waveform data"
460 PRINT
470 PRINT Waveform(*)
490 PRINT
500 PRINT Lastchar
510 END
```



Transferring waveform data in word format

This program sets up the oscilloscope to move oscilloscope waveform data from the HP 1660ES-series to a controller in word format.

```
10  !           Transferring Waveform Data
20  !           Word Format
30  !
40  CLEAR 707
50  !***** Select the Oscilloscope *****
60  !
70  OUTPUT 707;":SELECT 2"
80  !
90  !***** Set EOI on and Headers Off *****
100 OUTPUT 707;":EOI ON"
110 OUTPUT 707;":SYSTEM:HEADER OFF"
120 !
130 !***** Set up the Oscilloscope *****
140 !
150 OUTPUT 707;":ACQUIRE:TYPE AVERAGE"
160 OUTPUT 707;":WAVEFORM:SOURCE CHANNEL1"
170 OUTPUT 707;":WAVEFORM:FORMAT WORD"
180 OUTPUT 707;":WAVEFORM:RECORD FULL"
190 !
200 !***** Start Waveform Acquisition *****
210 OUTPUT 707;":AUTOSCALE"
220 !
230 !***** Dimension a string for the data *****
240 !
250 DIM Header$(20)
260 !
270 !***** Digitize the data and display Waveform menu ***
280 !
290 OUTPUT 707;":DIGITIZE"
300 OUTPUT 707;":MENU 2,3"
310 WAIT 5
320 Length=8000
330 ALLOCATE INTEGER Waveform(1:Length)
340 !
350 !***** Transfer the waveform data *****
360 !
370 OUTPUT 707;":WAVEFORM:DATA?"
380 ENTER 707 USING "#,10A";Header$
```

```
390 ENTER 707 USING "#,B";Waveform(*)
400 ENTER 707 USING "#,B";Lastchar
410 !
420 ! ***** Print the waveform data *****
430 PRINT "Header = ";Header$
440 PRINT
450 PRINT "Press CONTINUE to display waveform data"
460 PRINT
470 PAUSE
480 PRINT Waveform(*)
490 PRINT
500 PRINT Lastchar
510 END
```

Using AUToscale and the MEASure:ALL? Query

This program uses Autoscale to acquire a waveform and the MEASure:ALL? query to read in the measurement results from an HP 1660ES-series.

```
10  OUTPUT 707; ":SYSTEM:HEADER ON"
20  OUTPUT 707; ":EOI ON"
30  OUTPUT 707; ":SELECT 2"
40  OUTPUT 707; ":AUTOSCALE"
50  WAIT 5
60  DIM Me$(200)
70  OUTPUT 707; ":MEASURE:SOURCE CHANNEL1;ALL?"
80  ENTER 707 USING "#,200A";Me$
90  PRINT USING "#,200A";Me$
100 END
```

Using subroutines in a measurement program

This program uses subroutines in HP BASIC to make a measurement. The program

- Initializes the interface and the oscilloscope
- Digitizes the acquired signal data
- Measures and prints the frequency and peak-to-peak voltage of the acquired signal.

```
10  !           Measurement Example Using Subroutines
20  !
30  !MAIN PROGRAM
40  !
50  CLEAR SCREEN
60  PRINT "This example program will perform the following tasks:"
70  PRINT "    a. initialize the interface and oscilloscope"
80  PRINT "    b. digitize the signal                        "
90  PRINT "    c. measure and print the frequency          "
100 PRINT
110 PRINT "The program assumes the system is configured as:"
120 PRINT "    HP-IB address = 7"
130 PRINT "    Oscilloscope address = 7"
140 PRINT "    Oscilloscope is in slot 1"
150 PRINT "    Signal attached to channel 1"
160 PRINT
170 PRINT "If the addresses are not correct for your configuration, change"
180 PRINT "the ASSIGN statements in the Initialize function."
190 PRINT
200 PRINT "Press Continue when ready to start program, or Shift/Break to
terminate."
210 PAUSE
220 GOSUB Initialize           !initialize interface and oscilloscope
230 GOSUB Get_waveform       !digitize signal
240 GOSUB Measure           !measure and print frequency
250 STOP
260 !
270 !INITIALIZE INTERFACE AND OSCILLOSCOPE
280 !
290 Initialize: !
300 ASSIGN @Scope TO 707           !System address
310 ASSIGN @Isc TO 7               !HP-IB address
```

Programming Examples
Using subroutines in a measurement program

```
320 CLEAR @Isc                                !clear GPIB interface
330 OUTPUT @Scope;":SELECT 2"                !select the oscilloscope
340 OUTPUT @Scope;"*RST"                     !set oscilloscope to default config
350 OUTPUT @Scope;":AUTOSCALE"              !AUTOSCALE
360 OUTPUT @Scope;":SYST:HEADER OFF"        !turn headers off
370 CLEAR SCREEN                             !clear screen
380 RETURN
390 !
400 !DIGITIZE waveform to acquire data and stop oscilloscope for further
410 !measurement. Measurement is NOT displayed on the front panel.
420 !
430 Get_waveform: !
440 OUTPUT @Scope;":WAVEFORM:SOURCE CHAN1"  !set source to channel 1
450 OUTPUT @Scope;":DIGITIZE"               !macro to acquire data & stop
460 RETURN
470 !
480 !have oscilloscope do a frequency measurement and read results into
490 !computer.
500 !
510 Measure: !
520 OUTPUT @Scope;":MEASURE:FREQUENCY?"     !FREQUENCY query
530 ENTER @Scope;Value                      !read from oscilloscope
540 PRINT "FREQUENCY = ";Value;"Hz"
550 OUTPUT @Scope;":MEASURE:VPP?"          !Vpp query
560 ENTER @Scope;Value
570 PRINT "Vpp = ";Value;"V"
580 RETURN
590 END
```

I

- *CLS command, 8-7
- *ESE command, 8-7
- *ESR command, 8-8
- *IDN command, 8-10
- *IST command, 8-10
- *OPC command, 8-12
- *OPT command, 8-13
- *PRE command, 8-14
- *RST command, 8-15
- *SRE command, 8-16
- *STB command, 8-17
- *TRG command, 8-18
- *TST command, 8-19
- *WAI command, 8-20
- ..., 4-47
- 32767, 4-46
- 9.9E+37, 4-46
- ::=, 4-47
- , 4-47
- [], 4-47
- { }, 4-47
- !, 4-47

A

- ABVOLT?, 32-41
- ACCumulate, 29-13, 31-28, 31-31
- ACCumulate command/query, 18-95, 19-104, 23-159
- ACCumulate?, 31-28
- ACQMode command/query, 21-127
- ACQuire Subsystem, 29-10
- acquire waveform data, 28-7
- acquired data, 36-99
- ACQuisition command/query, 16-51, 18-95, 22-139, 23-160
- acquisition type, 29-13, 36-98
- ASCII format, 36-90
- adding waveforms, 31-33
- ALL, 33-58
- ALL?, 33-58
- Analyzer 1 Data Information, 27-239
- Analyzer 2 Data Information, 27-241
- Angular brackets, 4-47
- Arguments, 1-9
- ARM command/query, 13-7
- ASCII Format, 36-90
- ASCII transfer, 36-89
- ASSign command/query, 13-7

- attenuation factor, 30-21
- auto timebase mode, 34-71
- AUToload command, 11-63
- AUToscale, 28-5
- Average mode, 29-13
- averaging data points, 29-13
- AVOLT, 32-40
- AVOLT?, 32-40

B

- BASE, 41-52
- BASE command, 26-229
- base voltage measurement, 33-64
- Bases, 1-14
- Basic, 1-5
- Baud rate, 3-39
- BEEPer command, 9-26
- Bit definitions, 6-72, 6-73
- bit_id, 31-28
- Block data, 1-8, 1-22, 27-236
 - definition of, 42-58
- Block length specifier, 27-236
- Block length specifier, 10-49, 10-55
- Block length specifier>, 27-248
- Block length specifier>>, 27-236
- Braces, 4-47
- BRANch command/query, 16-52, 16-53, 22-139, 22-140, 22-141
- BVOLT, 32-41
- BVOLT?, 32-41
- byte data structure, 36-89
- BYTE format, 36-89
- byte transfer, 36-89

C

- Cable
 - RS-232C, 3-33
- CAPability command, 9-27
- CARDcage?, 9-28
- CATalog command, 11-64
- CD command, 11-65
- CENTer, 32-42
- CENTer command, 18-96, 23-160
- center screen voltage, 30-20
- CESE command, 9-29
- CESR command, 9-30
- channel display, 30-16
- CHANnel Subsystem, 30-16
- channel_number, 30-18, 31-28, 32-39,

- 33-57, 35-76, 36-93
- chart display, 19-102
- CLEAr command, 16-54, 20-113, 22-142
- Clear To Send (CTS), 3-35
- clearing the display, 31-33
- CLOCK, 38-15
- CLOCK command/query, 15-30
- CLRPattern command, 17-74, 18-96, 23-161, 24-186
- CLRStat command, 18-97, 23-161
- CMASk command/query, 20-113
- CME, 6-73
- COLumn, 39-24
- COLumn command/query, 17-73, 24-185
- Combining commands, 1-11
- Comma, 1-14
- Command, 1-8, 1-18
 - *CLS, 8-7
 - *ESE, 8-7
 - *OPC, 8-12
 - *PRE, 8-14
 - *RST, 8-15
 - *SRE, 8-16
 - *TRG, 8-18
 - *WAI, 8-20
- ACCumulate, 18-95, 19-104, 23-159, 31-28, 31-31
- ACQMode, 21-127
- ACQuisition, 16-51, 22-139
- ARM, 13-7
- ASSign, 13-7
- AUToload, 11-63
- BASE, 26-229, 41-52
- BEEPer, 9-26
- BRANch, 16-52, 22-139
- CD (change directory), 11-65
- CENTer, 18-96, 23-160
- CESE, 9-29
- CLEAr, 20-113
- CLOCK, 15-30
- CLRPattern, 17-74, 18-96, 23-161, 24-186
- CLRStat, 18-97, 23-161
- CMASk, 20-113
- COLumn, 17-73, 24-185, 39-24
- COMPare, 20-112
- CONDition, 35-77
- CONNect, 31-29
- COPY, 11-66, 20-114
- COUNt, 29-12

-
- DATA, 10-49, 20-115, 27-236
 DELay, 14-17, 18-97, 23-161, 34-70, 35-79
 DELeTe, 12-82
 DOWNload, 11-67
 DSP, 10-50
 EOI, 9-31
 FIND, 16-55, 22-143
 FORMat, 36-95
 GLEdGe, 22-144
 HAXis, 19-105
 HEADer, 1-18, 10-52
 HISTogram:LABel, 25-216
 HISTogram:OTHer, 25-217
 HISTogram:QUALifier, 25-218
 HISTogram:RANGe, 25-219
 HISTogram:TTYPe, 25-220
 INITialize, 11-69
 INPort, 12-84
 INSert, 12-84, 14-18, 18-98, 23-162
 LABel, 15-31, 21-128, 38-17
 LEVel, 35-80
 LEVelarm, 13-8
 LINE, 14-19, 17-75, 20-118, 24-187
 LOAD:CONFig, 11-70
 LOAD:IASemBler, 11-71
 LOCKout, 3-41, 9-32
 LOGic, 35-82
 LONGform, 1-18, 10-53
 Machine, 13-6
 MASTer, 15-33
 MENU, 9-32, 20-118
 MESE, 9-34
 MINus, 31-32
 MKDir, 11-72
 MMode, 17-76, 23-163, 24-188, 32-42, 32-46, 32-48, 32-49
 MODE, 25-207, 34-71, 35-83
 MSI, 11-73
 MSTats, 32-42
 NAME, 13-9
 OAUTO, 32-43
 OCONdition, 23-164, 24-189
 OFFSet, 30-20
 OPATtern, 17-77, 23-165, 24-189
 OSEarch, 17-78, 23-166, 24-190
 OTAG, 17-79, 24-192
 OTIME, 14-20, 23-167, 32-40, 32-41, 32-44
 OVERlay, 17-80, 31-32
 OVERView:HIGH, 25-209
 OVERView:LABel, 25-210
 OVERView:LOW, 25-211
 OVERView:OMARker, 25-212
 OVERView:XMARker, 25-214
 PACK, 11-74
 PATH, 35-84
 PATTern, 26-230, 41-53
 PLUS, 31-33
 PRINT, 10-54
 PROBe, 30-21
 PURGe, 11-74
 RANGe, 14-21, 16-56, 18-98, 20-119, 22-145, 23-168, 26-230, 30-22, 34-72, 41-54
 RECOrd, 36-97
 RENAME, 14-22, 15-37, 17-81, 18-99, 21-129, 23-168, 24-192, 26-231, 31-33, 38-20, 39-34, 40-47, 41-55
 RESName, 11-75, 13-10
 RESource, 13-11
 RESume, 37-12
 RMODE, 9-38
 RUNTil, 17-81, 20-120, 23-169, 24-193, 32-45
 SCHart, 19-104
 SELeCt, 9-40
 SEQuence, 16-58, 22-147
 SET, 20-121
 SETColor, 9-42
 SETup, 10-55, 27-247, 42-61
 SFORmat, 15-30
 SKEW, 12-85
 SLAVe, 15-39
 SLISt, 17-73
 SLOPe, 35-84
 SOURce, 33-63, 35-85, 36-97
 SPERiod, 22-148, 23-170
 STARt, 9-43
 STEP, 37-10
 STEP Count, 37-10
 STOP, 9-43
 STORe, 16-59
 STORe:CONFig, 11-76
 SWAVEform, 18-94
 SYMBol, 26-228
 SYSTem:DATA, 10-49, 27-234, 27-236
 SYSTem:SETup, 10-55, 27-234, 27-247
 TAG, 16-60
 TAKenbranch, 16-61, 18-99
 TCONtrol, 16-62, 22-149
 TERM, 16-63, 22-150
 TFORmat, 21-126
 THREshold, 15-42, 21-130
 TIMER, 16-64, 22-151
 TINTerval:AUTorange, 25-221
 TINTerval:QUALifier, 25-221
 TINTerval:TINTerval, 25-223
 TLISt, 24-185
 TPOsition, 16-65, 18-100, 22-152, 23-172
 TREE, 12-86
 TTL, 30-23
 TYPE, 13-12, 29-13
 VAXis, 19-107
 WIDTh, 26-232, 41-56
 WLISt, 14-16
 XAUTo, 32-52
 XCONdition, 23-174, 24-196
 XPATtern, 17-86, 23-175, 24-197
 XSEArch, 17-87, 23-176, 24-198
 XTAG, 17-88, 24-200
 XTIME, 14-23, 23-177, 32-53
 XWINDow, 9-44
 Command errors, 7-79
 Command mode, 2-27
 Command set organization, 4-56, 37-7, 37-8
 Command structure, 1-6
 Command tree, 4-47
 SELeCt, 9-41
 Command types, 4-48
 Commands
 ACCumulate, 31-28
 AUToscale, 28-5, 28-6
 AVOLT, 32-40
 BVOLT, 32-41
 CENTer, 32-42
 CONDition, 35-77, 35-78
 CONNect, 31-29
-

-
- COUNT, 29-12
 - COUPLing, 30-18
 - DELAy, 34-70, 35-79
 - DIGitize, 28-7
 - ECL, 30-19
 - FORMat, 36-95
 - INSert, 31-30
 - LABel, 31-31
 - LEVel, 35-80, 35-81
 - LOGic, 35-82
 - MINus, 31-32
 - MODE, 34-71, 35-83
 - MSTats, 32-42
 - OAUTO, 32-43
 - OFFset, 30-20
 - OTIME, 32-44
 - OVERlay, 31-32
 - PATH, 35-84
 - PLUS, 31-33
 - PROBe, 30-21
 - RANGE, 30-22, 34-72
 - RECOrd, 36-97
 - REMOve, 31-33
 - RUNTIl, 32-45
 - SHOW, 32-46
 - SOURce, 35-85, 36-97
 - TMODE, 32-48
 - TTL, 30-23
 - TYPE, 29-13
 - VMODE, 32-49
 - XAUTO, 32-52
 - XTIME, 32-53
 - Common commands, 1-11, 4-48, 8-4
 - Communication, 1-5
 - compare
 - program example, 43-11
 - COMPare selector, 20-112
 - COMPare Subsystem, 20-109, 20-111, 20-112, 20-113, 20-114, 20-115, 20-116, 20-117, 20-118, 20-119, 20-120, 20-121
 - Complex qualifier, 16-53, 22-141
 - Compound commands, 1-10
 - CONDition, 35-77, 35-78
 - CONDition?, 35-78
 - Configuration file, 1-6
 - CONNect, 31-29
 - connect dots, 31-29
 - CONNect?, 31-29
 - Controllers, 1-5
 - Conventions, 4-47
 - COPY command, 11-66, 20-114
 - COUNT, 29-12, 29-13, 36-94
 - COUNT?, 29-12, 36-94
 - count_argument, 29-11
 - count_number, 35-76
 - COUPLing, 30-18
 - COUPLing?, 30-19
- D**
- DATA, 10-49, 27-236, 36-94
 - command, 10-49
 - State (no tags, 27-242, 27-243)
 - data acquisition, 29-13
 - Data acquisition type, 36-88
 - Data and Setup Commands, 27-233, 27-235, 27-236, 27-237, 27-238, 27-239, 27-240, 27-241, 27-242, 27-243, 27-244, 27-245, 27-246, 27-247, 27-248, 27-249, 42-58
 - Data bits, 3-39
 - 8-Bit mode, 3-39
 - Data block
 - Analyzer 1 data, 27-239
 - Analyzer 2 data, 27-241
 - Data preamble, 27-238
 - Section data, 27-238
 - Section header, 27-238
 - Data Carrier Detect (DCD), 3-35
 - DATA command/query, 10-49, 20-115, 20-116
 - data conversion, 36-91, 36-92, 36-93
 - Data mode, 2-27
 - Data preamble, 27-238, 27-239, 27-240, 27-241
 - DATA query, 17-75, 24-187
 - Data Terminal Equipment, 3-33
 - Data Terminal Ready (DTR), 3-35
 - data to time conversion, 36-91
 - data transfer, 36-88, 36-97
 - data transfer format, 36-89, 36-90
 - data transmission mode, 36-95
 - data value to trigger point conversion, 36-91
 - DATA?, 36-94
 - DataCommunications Equipment, 3-33
 - DataSet Ready (DSR), 3-35
 - DCE, 3-33
 - DCLE, 2-30
 - DDE, 6-73
 - Definite-length block response data, 1-22
 - DELAy, 34-70, 35-79
 - DELAy command/query, 14-17, 18-97, 23-161
 - DELAy?, 34-70, 35-79
 - delay_argument, 34-69
 - DELeTe command, 12-82
 - delta voltage measurement, 32-41
 - Device address, 1-8
 - HP-IB, 2-28
 - RS-232C, 3-40
 - Device clear, 2-30
 - Device dependent errors, 7-79
 - DIGitize, 28-7
 - display of waveforms, 31-30
 - DISPlay Subsystem, 31-26
 - Documentation conventions, 4-47
 - DOWNload command, 11-67
 - DSP command, 10-50
 - DTE, 3-33
 - Duplicate keywords, 1-11
- E**
- ECL, 30-19
 - edge search, 32-50
 - Ellipsis, 4-47
 - Embedded strings, 1-5, 1-8
 - Enter statement, 1-5
 - EOI command, 9-31
 - ERRor command, 10-51
 - Error messages, 7-78
 - ESB, 6-72
 - Event Status Register, 6-72
 - Example
 - Using AUToscale, 28-6
 - Examples
 - program, 43-4
 - EXE, 6-73
 - Execution errors, 7-80
 - Exponents, 1-14
 - Extended interface, 3-34
-

F

FALLtime, 33-59
 falltime measurement, 33-59
 FALLtime?, 33-59
 File types, 11-68
 FIND command/query, 16-55, 22-143
 FIND query, 20-117
 FORMat, 36-95
 FORMat?, 36-95
 Fractional values, 1-15
 FREQuency, 33-59
 frequency measurement, 33-59
 FREQuency?, 33-59

G

GET, 2-30
 GLEDge command/query, 22-144
 greater than_argument, 32-39
 Group execute trigger, 2-30

H

HAXis command/query, 19-105, 19-106
 HEADer command, 1-18, 10-52
 Headers, 1-8, 1-10, 1-13
 HISTogram:HSTatistic query, 25-215
 HISTogram:LABel command/query, 25-216
 HISTogram:OTHer command/query, 25-217
 HISTogram:QUALifier command/query, 25-218
 HISTogram:RANGe command/query, 25-219
 HISTogram:TTYPE command/query, 25-220
 horizontal time range, 34-72
 Host language, 1-8
 HP-IB, 2-26, 6-76
 HP-IB address, 2-27
 HP-IB device address, 2-28
 HP-IB interface code, 2-28
 HP-IB interface functions, 2-26
 HTIME query, 12-83

I

Identification number, 9-28
 Identifying modules, 9-28
 IEEE 488.1, 2-26, 5-60
 IEEE 488.1 bus commands, 2-30

IEEE 488.2, 5-60
 IFC, 2-30
 immediate trigger, 35-83
 infinite persistence, 31-28
 Infinity, 4-46
 Initialization, 1-6
 INITialize command, 11-69
 INPort command, 12-84
 Input buffer, 5-61
 input impedance, 30-19
 inrange_greater than, 32-39
 inrange_less than, 32-39
 INSert, 31-30
 INSert command, 12-84, 14-18, 18-98, 23-162
 Instruction headers, 1-8
 Instruction parameters, 1-9
 Instruction syntax, 1-7
 Instruction terminator, 1-9
 Instructions, 1-7
 Instrument address, 2-28
 Interface capabilities, 2-27
 RS-232C, 3-39
 Interface clear, 2-30
 Interface code
 HP-IB, 2-28
 Interface selectcode
 RS-232C, 3-40
 INTermodule subsystem, 12-80
 Internal errors, 7-80

K

Keyword data, 1-15
 Keywords, 4-45

L

LABel, 31-31, 38-17, 38-18
 LABEL command/query, 15-31, 15-32, 21-128
 label string, 31-31
 LABel?, 31-31
 label_id, 31-28
 label_string, 31-28
 LCL, 6-74
 LER command, 9-31
 less than_argument, 32-39
 level, 32-39, 35-80, 35-81
 LEVel?, 35-81

LEVelarm command/query, 13-8
 LINE command/query, 14-19, 17-75, 20-118, 24-187
 Linefeed, 1-9, 4-47
 LOAD:CONFig command, 11-70
 LOAD:IASSEMBler command, 11-71
 Local, 2-29
 Local lockout, 2-29
 LOCKout command, 3-41, 9-32
 LOGic, 35-82
 logic pattern, 35-77
 LOGic?, 35-82
 Longform, 1-13
 LONGform command, 1-18, 10-53
 Lowercase, 1-13

M

Machine selector, 13-6
 MACHine Subsystem, 13-3, 13-5, 13-6, 13-7, 13-8, 13-9, 13-10, 13-11, 13-12
 Mainframe commands, 9-22
 Marker data, 32-46
 marker placement, 32-52
 MARKer Subsystem, 33-56
 marker to center, 32-42
 marker_time, 32-39
 MASTer command/query, 15-33
 MAV, 6-72
 maximum voltage measurement, 33-65
 measurement complete program example, 43-23
 Measurement parameters
 Frequency, 33-56
 Period, 33-56
 measurement source, 33-63
 measurement statistics, 32-42
 MENU command, 9-32, 20-118
 MESE command, 9-34
 MESR command, 9-36
 minimum voltage measurement, 33-65
 MINus, 31-32
 MKDir command, 11-72
 MMEMory subsystem, 11-58
 MMODE, 32-48, 32-49
 MMODE command/query, 17-76, 23-163, 24-188
 Mnemonics, 1-15, 4-45
 MODE, 34-71, 35-83

-
- MODE command/query, 25-207
 MODE?, 34-71, 35-83
 Module commands, 28-4
 Module Level Commands, 37-9
 moving the X marker, 32-53
 MSB, 6-74
 MSG, 6-73
 MSI command, 11-73
 MSS, 6-72
 MStats, 32-42
 MStats?, 32-42
 multiple measurements, 33-58
 Multiple numeric variables, 1-23
 Multiple program commands, 1-16
 Multiple queries, 1-23
 Multiple subsystems, 1-16
- N**
 NAME command/query, 13-9
 negative width time measurement, 33-60
 New Line character, 1-9
 NL, 1-9, 4-47
 Normal mode, 29-13, 36-88
 Notation conventions, 4-47
 number of averages, 29-11
 Numeric base, 1-21
 Numeric bases, 1-14
 Numeric data, 1-14
 Numeric variables, 1-21
 NWIDth, 33-60
 NWIDth?, 33-60
- O**
 O Marker placement, 32-43, 32-44
 O marker voltage level, 32-50
 OAUTO, 32-43
 OAUTO?, 32-43
 occurrence, 32-39
 OCONdition command/query, 23-164, 24-189
 OFFSet, 30-20
 offset voltage, 30-18, 30-20
 OFFset?, 30-20
 offset_argument, 30-18
 OPATtem command/query, 17-77, 23-165, 24-189
 OPC, 6-73
 Operation Complete, 6-74
- OR notation, 4-47
 OSEarch command/query, 17-78, 23-166, 24-190
 OSTate query, 14-20, 17-79, 24-191
 OTAG command/query, 17-79, 24-192
 OTIME, 32-40, 32-41, 32-44
 OTIME command/query, 14-20, 23-167
 OTIME?, 32-44
 Output buffer, 1-12
 Output queue, 5-61
 OUTPUT statement, 1-5, 28-6
 outrange_greater than, 32-39
 outrange_less than, 32-39
 Overlapped command, 8-12, 8-20, 9-43
 Overlapped commands, 4-46
 OVERlay, 31-32
 OVERlay command/query, 17-80
 overlaying waveforms, 31-32
 OVERshoot, 33-60
 overshoot measurement, 33-60
 OVERshoot?, 33-60
 OVERView:BUCKet query, 25-208
 OVERView:HIGH command/query, 25-209
 OVERView:LABel command/query, 25-210
 OVERView:LOW command/query, 25-211
 OVERView:OMARker command/query, 25-212
 OVERView:OVStatistic query, 25-213
 OVERView:XMARker command/query, 25-214
 OVOLT, 32-50
- P**
 PACK command, 11-74
 Parameter syntax rules, 1-14
 Parameters, 1-9
 Parity, 3-39
 Parse tree, 5-66
 Parser, 5-61
 PATH, 35-84
 PATH?, 35-84
 PATtern command, 26-230
 pattern duration, 35-77
 pattern generator, 37-3, 37-6, 37-7, 37-8, 37-10, 37-11, 37-12
 DATA and SETup Commands, 42-57, 42-59, 42-60, 42-61
 EPATtern, 39-25, 39-26
 FORMat Subsystem, 38-13, 38-15, 38-16, 38-17, 38-18, 38-19, 38-20
 INSert, 39-27, 39-28, 39-29, 40-39, 40-40, 40-41
 MACRo Subsystem, 40-35, 40-37, 40-38, 40-39, 40-40, 40-41, 40-42, 40-43, 40-44, 40-45, 40-46, 40-47
 NAME, 40-42
 PARAmeter, 40-43
 PATtern, 41-53
 PROGram, 40-44, 40-45, 40-46
 SEQuence Subsystem, 39-21, 39-23, 39-24, 39-25, 39-26, 39-27, 39-28, 39-29, 39-30, 39-31, 39-32, 39-33
 SYMBol Subsystem, 41-49, 41-51, 41-52, 41-53, 41-54, 41-55, 41-56
 PATtern trigger, 35-79
 peak-to-peak voltage measurement, 33-66
 PERiod, 33-61
 period measurement, 33-61
 PERiod?, 33-61
 PLUS, 31-33
 POINTs, 36-95
 points on screen, 36-95
 POINTs?, 36-95
 PON, 6-73
 positive pulse width measurement, 33-62
 preamble, 36-88, 36-96
 Preamble description, 27-238
 PREAmble?, 36-96
 preset user, 30-19, 30-23
 PREShoot, 33-61
 preshoot measurement, 33-61
 PREShoot?, 33-61
 PRINT command, 10-54
 Printing to the disk, 43-29
 PROBE, 30-21
 PROBE?, 30-21
 probe_argument, 30-18
 PROGram, 39-30, 39-31, 39-32, 39-33, 40-44, 40-45, 40-46
 program example
 checking for measurement complete, 43-23
 compare, 43-11
 getting ASCII data with PRINT ALL query, 43-26
 sending queries to the logic analyzer, 43-26
 state analyzer, 43-7
-

-
- SYSTem:DATA command, 43-19
 SYSTem:DATA query, 43-19
 SYSTem:SETup command, 43-16
 SYSTem:SETup query, 43-16
 timing analyzer, 43-5
 transferring configuration to analyzer,
 43-16
 transferring configuration to the controller,
 43-16
 transferring setup and data to the
 analyzer, 43-19
 transferring setup and data to the
 controller, 43-19
 transferring waveform data, 43-30, 43-32
 using AUTOscale and the MEASure:ALL?
 Query, 43-34
 Using Sub-routines, 43-35
 Program examples, 4-57, 43-4
 Program message syntax, 1-7
 Program message terminator, 1-9
 Program syntax, 1-7
 programming, 25-202
 Programming conventions, 4-47
 Protocol, 3-39, 5-62
 None, 3-39
 XON/XOFF, 3-39
 Protocol exceptions, 5-63
 Protocols, 5-61
 PURGe command, 11-74
 PWIDth, 33-62
 PWIDth?, 33-62
- Q**
- Query, 1-8, 1-12, 1-18
 *ESE, 8-7
 *ESR, 8-8
 *IDN, 8-10
 *IST, 8-10
 *OPC, 8-12
 *OPT, 8-13
 *PRE, 8-14
 *SRE, 8-16
 *STB, 8-17
 *TST, 8-19
 ABVOLT?, 32-41
 ACCumulate, 18-95, 19-105, 23-159,
 31-28, 31-31
 ACCumulate?, 31-28
 ACQMode, 21-127
 ACQuisition, 16-51, 22-139
 ALL, 33-58
 ALL?, 33-58
 ARM, 13-7
 ASSign, 13-8
 AUToload, 11-63
 AVOLT?, 32-40
 BEEPer, 9-26
 BRANch, 16-53, 22-141
 BVOLT?, 32-41
 CAPability, 9-27
 CATalog, 11-64
 CESE, 9-29
 CESR, 9-30
 CLOCK, 15-31
 CMASK, 20-114
 COLumn, 17-74, 24-186, 39-24
 CONDition, 35-78
 CONDition?, 35-78
 CONNect, 31-29
 CONNect?, 31-29
 COUNt, 29-12
 COUNt?, 29-12, 36-94
 COUPLing?, 30-19
 DATA, 10-50, 17-75, 20-116, 24-187,
 27-237, 36-94
 DATA?, 36-94
 DELay, 14-17, 18-97, 23-162, 34-70,
 35-79
 DELay?, 34-70, 35-79
 EOI, 9-31
 ERRor, 10-51
 FALLtime, 33-59
 FALLtime?, 33-59
 FIND, 16-56, 20-117, 22-144
 FORMat, 36-95
 FORMat?, 36-95
 FREQuency, 33-59
 FREQuency?, 33-59
 FTIME, 12-83
 GLEDe, 22-145
 HAXis, 19-106
 HEADer, 10-52
 HISTogram:HSStatistic, 25-215
 HISTogram:LABel, 25-216
 HISTogram:QUALifier, 25-218
 HISTogram:RANGe, 25-219
 HISTogram:TTPe, 25-220
 INPort, 12-84
 LABel, 15-32, 21-129
 LABel?, 31-31
 LER, 9-31
 LEVel, 35-81
 LEVelarm, 13-8
 LINE, 14-19, 17-76, 20-118, 24-188
 LOCKout, 9-32
 LOGic, 35-82
 LOGic?, 35-82
 LONGform, 10-53
 MASTer, 15-33
 MENU, 9-34
 MESE, 9-34
 MESR, 9-36
 MMODE, 17-76, 23-163, 24-188, 32-48,
 32-49
 MODE, 25-207, 34-71, 35-83
 MODE?, 34-71, 35-83
 MSI, 11-73
 MSTats, 32-42
 MSTats?, 32-42
 NAME, 13-9
 NWIDTH, 33-60
 NWIDTH?, 33-60
 OAUto, 32-43
 OAUto?, 32-43
 OCONdition, 23-164, 24-189
 OFFset?, 30-20
 OPATtern, 17-77, 23-165, 24-190
 OSEarch, 17-78, 23-166, 24-191
 OSTate, 14-20, 17-79, 24-191
 OTAG, 17-80, 24-192
 OTIME, 14-20, 23-167, 32-44
 OTIME?, 32-44
 OVERshoot, 33-60
 OVERshoot?, 33-60
 OVERView:BUCKet, 25-208
 OVERView:HIGH, 25-209
 OVERView:LABel, 25-210
 OVERView:LOW, 25-211
 OVERView:OMARker, 25-212
 OVERView:OVSTatistic, 25-213
 OVERView:XMARker, 25-214
 OVOLT, 32-41, 32-50
 PATH, 35-84
 PATH?, 35-84
-

-
- PERiod, 33-61
 PERiod?, 33-61
 POINTs, 36-95
 POINTs?, 36-95
 PREAmble, 36-96
 PREAmble?, 36-96
 PREShoot, 33-61
 PREShoot?, 33-61
 PRINT, 10-55
 PROBe, 30-21
 PROBE?, 30-21
 PWIDTH, 33-62
 PWIDTH?, 33-62
 RANGe, 14-21, 16-57, 18-99, 20-119, 22-146, 23-168, 30-22, 34-72
 RANGe?, 30-22, 34-72
 RECOrd, 36-97
 RECOrd?, 36-97
 REName, 13-10
 RESourCe, 13-11
 RISetime, 33-62
 RISetime?, 33-62
 RMODE, 9-39
 RUNTil, 17-82, 20-121, 23-169, 24-193, 32-45
 RUNTil?, 32-45
 SELEct, 9-41
 SEQuence, 16-58, 22-147
 SETColor, 9-42
 SETup, 10-56, 27-248
 SKEW, 12-85
 SLAVe, 15-39
 SLOPe, 35-85
 SLOPe?, 35-85
 SOURce, 33-63, 35-85, 36-98
 SOURce?, 33-63, 35-85, 36-98
 SPERiod, 22-148, 23-170, 36-98
 SPERiod?, 36-98
 STEP, 37-10
 STORe, 16-59
 SYSTem:DATA, 10-50, 27-237
 SYSTem:SETup, 10-56, 27-248
 TAG, 16-60
 TAKenbranch, 16-61, 18-100
 TAVerage, 17-83, 23-171, 24-194, 32-46
 TAVerage?, 32-46
 TCONtrol, 16-62, 22-149
 TERM, 16-64, 22-151
 THREshold, 15-42, 21-130
 TIMER, 16-64, 22-151
 TINTerval:QUALifier, 25-221
 TINTerval:TINTerval, 25-223
 TINTerval:TSTatistic, 25-224
 TMAXimum, 17-83, 23-171, 24-194, 32-47
 TMINimum, 17-84, 23-172, 24-195, 32-47
 TMINimum?, 32-47
 TMODE?, 32-48
 TPOsition, 16-65, 18-100, 22-152, 23-173
 TREE, 12-86
 TTIME, 12-87
 TYPE, 13-12, 29-13, 36-98
 TYPE?, 29-13, 36-98
 UPLOad, 11-77
 VALid, 36-99
 VALid?, 36-99
 VAMPLitude, 33-64
 VAMPLitude?, 33-64
 VAXis, 19-107
 VBASe, 33-64
 VBASe?, 33-64
 VMAX, 33-65
 VMAX?, 33-65
 VMIN, 33-65
 VMIN?, 33-65
 VMODE?, 32-49
 VOTime?, 32-50
 VPP, 33-66
 VPP?, 33-66
 VRUNs, 17-84, 23-173, 24-195, 32-50
 VRUNs?, 32-50
 VTOp, 33-66
 VTOp?, 33-66
 VXTime?, 32-51
 XAUTO, 32-52
 XAUTO?, 32-52
 XCONdition, 23-174, 24-196
 Xincement, 36-99
 XORigin, 36-100
 XORigin?, 36-100
 XOTag, 17-85, 24-196
 XOTime, 14-22, 17-85, 23-174, 24-197, 32-53
 XOTime?, 32-53
 XPATtem, 17-86, 23-175, 24-198
 Xreference, 36-100
 XREFerence?, 36-100
 XSEArch, 17-87, 23-176, 24-199
 XSTate, 14-22, 17-88, 24-199
 XTAG, 17-89, 24-200
 XTIME, 14-23, 23-177
 XTIME?, 32-53
 XVOLT, 32-51
 YINCrement, 36-101
 YINCrement?, 36-101
 YORigin, 36-101
 YORigin?, 36-101
 YREFerence, 36-102
 YREFerence?, 36-102
 Query errors, 7-81
 query program example, 43-24
 Query responses, 1-17, 4-46
 Question mark, 1-12
 QYE, 6-73
- R**
 RANGe, 30-22, 34-72, 41-54
 RANGe command, 26-230
 RANGe command/query, 14-21, 16-56, 16-57, 18-98, 20-119, 22-145, 22-146, 23-168
 RANGe?, 30-22, 34-72
 range_argument, 30-18, 34-69
 raw data, 36-91
 real-time clock
 section data, 27-249
 Receive Data (RD), 3-34, 3-35
 RECOrd, 36-97
 RECOrd?, 36-97
 Remote, 2-29
 Remote enable, 2-29
 REMove, 31-33, 38-20, 39-34, 40-47, 41-55
 REMove command, 14-22, 15-37, 17-81, 18-99, 21-129, 23-168, 24-192, 26-231
 REN, 2-29
 REName command, 11-75
 REName command/query, 13-10
 Request To Send (RTS), 3-35
-

-
- RESource command/query, 13–11
 Response data, 1–22
 Responses, 1–18
 RESume, 37–12
 return X-O marker data, 32–53
 returning preamble, 36–96
 returning waveform data record, 36–94
 RISetime, 33–62
 risetime measurement, 33–62
 RISetime?, 33–62
 RMOde command, 9–38
 Root, 4–48
 RQC, 6–73
 RQS, 6–72
 RS-232C, 3–32, 3–40, 5–60
 RUNtil, 32–45
 RUNtil command/query, 17–81, 17–82,
 20–120, 23–169, 24–193
 RUNtil?, 32–45
- S**
- sample rate data, 32–46
 sampling period, 36–98
 SCHart selector, 19–104
 SCHart Subsystem, 19–101, 19–103,
 19–104, 19–105, 19–106, 19–107
 SDC, 2–30
 Section data, 27–238
 Section data format, 27–236
 Section header, 27–238
 SElect command, 9–40
 Select command tree, 9–41
 SElect Command/query, 37–7
 Selected device clear, 2–30
 SEquence command/query, 16–58, 22–147
 Sequential commands, 4–46
 Serial poll, 6–75
 Service Request Enable Register, 6–72
 SET command, 20–121
 SETColor command, 9–42
 setting logic, 35–82
 setting stop condition, 32–45
 setting time marker mode, 32–48
 setting timebase, 34–71
 setting voltage marker mode, 32–49
 SETup, 10–55, 27–247, 42–61
 SETup command/query, 10–55, 10–56
 SFORmat selector, 15–30
 SFORmat Subsystem, 15–25, 15–27,
 15–28, 15–29, 15–30, 15–31, 15–32, 15–33,
 15–34, 15–35, 15–36, 15–37, 15–38, 15–39,
 15–40, 15–41, 15–42
 Shortform, 1–13
 SHOW, 32–46
 Simple commands, 1–10
 SKEW command, 12–85
 SLAVe command/query, 15–39
 SLISt selector, 17–73
 SLISt Subsystem, 17–67, 17–69, 17–70,
 17–71, 17–72, 17–73, 17–74, 17–75, 17–76,
 17–77, 17–78, 17–79, 17–80, 17–81, 17–82,
 17–83, 17–84, 17–85, 17–86, 17–87, 17–88,
 17–89
 slope, 32–39, 35–84
 SLOPe?, 35–85
 slot_number, 31–28
 SOURce, 33–63, 35–85, 36–97
 SOURce?, 33–63, 35–85, 36–98
 Spaces, 1–9
 SPERiod, 36–98
 SPERiod command/query, 22–148, 23–170
 SPERiod?, 36–98
 Square brackets, 4–47
 STARt command, 9–43
 state analyzer
 program example, 43–7
 Status, 1–24, 6–70, 8–5
 Status byte, 6–74
 Status registers, 1–24, 8–5
 Status reporting, 6–70
 STEP, 37–10, 37–11
 STEP FSTate, 37–10
 Stop bits, 3–39
 STOP command, 9–43
 stop condition, 32–45
 STORe command/query, 16–59
 STORe:CONFig command, 11–76
 STRace Command, 16–51
 STRigger Command, 16–51
 STRigger/STRace Subsystem, 16–43,
 16–45, 16–46, 16–47, 16–48, 16–49, 16–50,
 16–51, 16–52, 16–53, 16–54, 16–55, 16–56,
 16–57, 16–58, 16–59, 16–60, 16–61, 16–62,
 16–63, 16–64, 16–65
 String data, 1–15
 String variables, 1–20
 STTRace selector, 22–138
 Subsystem
 ACQuire, 29–9, 29–10, 29–11, 29–12, 29–13
 CHANnel, 30–15, 30–16, 30–17, 30–18,
 30–19, 30–20, 30–21, 30–22, 30–23
 COMPare, 20–110
 DISPlay, 31–25, 31–26, 31–27, 31–28,
 31–29, 31–30, 31–31, 31–32, 31–33
 FORMat, 38–14
 INTermodule, 12–80
 MACHine, 13–4
 MACRo, 40–36
 MARKer, 32–35, 32–36, 32–37, 32–38,
 32–39, 32–40, 32–41, 32–42, 32–43, 32–44,
 32–45, 32–46, 32–47, 32–48, 32–49, 32–50,
 32–51, 32–52, 32–53
 MEASure, 33–55, 33–56, 33–57, 33–58,
 33–59, 33–60, 33–61, 33–62, 33–63, 33–64,
 33–65, 33–66
 MMEMory, 11–58
 SCHart, 19–102
 SEquence, 39–22
 SFORmat, 15–25, 15–27, 15–28,
 15–29, 15–30, 15–31, 15–32, 15–
 33, 15–34, 15–35, 15–36, 15–37,
 15–38, 15–39, 15–40, 15–41, 15–42
 SLISt, 17–67, 17–69, 17–70,
 17–71, 17–72, 17–73, 17–74, 17–
 75, 17–76, 17–77, 17–78, 17–79,
 17–80, 17–81, 17–82, 17–83, 17–
 84, 17–85, 17–86, 17–87, 17–88,
 17–89
 STRigger/STRace, 16–43, 16–45,
 16–46, 16–47, 16–48, 16–49, 16–
 50, 16–51, 16–52, 16–53, 16–54,
 16–55, 16–56, 16–57, 16–58, 16–
 59, 16–60, 16–61, 16–62, 16–63,
 16–64, 16–65
 SWAVeform, 18–92
 SYMBol, 26–225, 26–227, 26–228,
 26–229, 26–230, 26–231, 26–232,
 41–50
 SYSTem, 10–46
 TFORmat, 21–123, 21–125, 21–
 126, 21–127, 21–128, 21–129,
 21–130
 TIMEbase, 34–67, 34–68, 34–69,
 34–70, 34–71, 34–72
-

-
- TLISt, 24-179, 24-181, 24-182, 24-183, 24-184, 24-185, 24-186, 24-187, 24-188, 24-189, 24-190, 24-191, 24-192, 24-193, 24-194, 24-195, 24-196, 24-197, 24-198, 24-199, 24-200
 - TRIGger, 35-73, 35-74, 35-75, 35-76, 35-77, 35-78, 35-79, 35-80, 35-81, 35-82, 35-83, 35-84, 35-85
 - TTRigger/TTRace, 22-131, 22-133, 22-134, 22-135, 22-136, 22-137, 22-138, 22-139, 22-140, 22-141, 22-142, 22-143, 22-144, 22-145, 22-146, 22-147, 22-148, 22-149, 22-150, 22-151, 22-152
 - TWAVeform, 23-153, 23-155, 23-156, 23-157, 23-158, 23-159, 23-160, 23-161, 23-162, 23-163, 23-164, 23-165, 23-166, 23-167, 23-168, 23-169, 23-170, 23-171, 23-172, 23-173, 23-174, 23-175, 23-176, 23-177
 - WAVeform, 36-87, 36-88, 36-89, 36-90, 36-91, 36-92, 36-93, 36-94, 36-95, 36-96, 36-97, 36-98, 36-99, 36-100, 36-101, 36-102
 - WLISt, 14-13, 14-15, 14-16, 14-17, 14-18, 14-19, 14-20, 14-21, 14-22, 14-23
 - Subsystem commands, 4-48
 - subtracting waveforms, 31-32
 - Suffix multiplier, 5-67
 - Suffix units, 5-68
 - SWAVeform selector, 18-94
 - SWAVeform Subsystem, 18-91, 18-93, 18-94, 18-95, 18-96, 18-97, 18-98, 18-99, 18-100
 - SYMBol selector, 26-228
 - SYMBol Subsystem, 26-225, 26-227, 26-228, 26-229, 26-230, 26-231, 26-232, 41-50
 - Syntax diagram
 - COMPare Subsystem, 20-111
 - INTermodule subsystem, 12-81
 - MACHine Subsystem, 13-5
 - MACRo subsystem, 40-37, 40-38
 - Mainframe commands, 9-23, 9-24
 - MMEMory subsystem, 11-59, 11-60, 11-62
 - Module Level, 37-9
 - SCHart Subsystem, 19-103
 - SEQuence Subsystem, 39-22
 - SFORmat Subsystem, 15-27
 - SLISt Subsystem, 17-69
 - STRigger Subsystem, 16-45
 - SWAVeform Subsystem, 18-93
 - SYMBol Subsystem, 26-227
 - SYSTem subsystem, 10-47
 - TFORmat Subsystem, 21-125
 - TLISt Subsystem, 24-181
 - TTRigger Subsystem, 22-133
 - TWAVeform Subsystem, 23-156, 23-157
 - WLISt Subsystem, 14-15
 - Syntax diagrams
 - IEEE 488.2, 5-63
 - System commands, 4-48
 - SYSTem subsystem, 10-46
 - SYSTem:DATA, 27-236, 27-237
 - SYSTem:DATA command
 - program example, 43-19
 - SYSTem:DATA query program
 - example, 43-19
 - SYSTem:SETup, 27-247, 27-248
 - SYSTem:SETup command program
 - example, 43-16
 - SYSTem:SETup query program
 - example, 43-16
- T**
- TAG command/query, 16-60
 - TAKenbranch command/query, 16-61, 18-99
 - TAVerage, 32-46
 - TAVerage query, 17-83, 23-171, 24-194
 - TAVerage?, 32-46
 - TCONtrol command/query, 16-62, 22-149
 - TERM command/query, 16-63, 22-150
 - Terminator, 1-9
 - TFORmat selector, 21-126
 - TFORmat Subsystem, 21-123, 21-125, 21-126, 21-127, 21-128, 21-129, 21-130
 - Three-wire Interface, 3-34
 - THReshold command/query, 15-42, 21-130
 - time, 35-76
 - time between markers, 32-46
 - time marker mode, 32-48
 - time measurements, 32-36
 - time tag data description, 27-244, 27-245
 - timebase mode, 34-71
 - TIMEbase Subsystem, 34-68
 - TIMER command/query, 16-64, 22-151
 - timing analyzer
 - program example, 43-5
 - TINTerval:AUTorange command, 25-221
 - TINTerval:QUALifier command/query, 25-221
 - TINTerval:TINTerval command/query, 25-223
 - TINTerval:TSTatistic query, 25-224
 - TLISt selector, 24-185
 - TLISt Subsystem, 24-179, 24-181, 24-182, 24-183, 24-184, 24-185, 24-186, 24-187, 24-188, 24-189, 24-190, 24-191, 24-192, 24-193, 24-194, 24-195, 24-196, 24-197, 24-198, 24-199, 24-200
 - TMAXimum, 32-47
 - TMAXimum query, 17-83, 23-171, 24-194
 - TMINimum, 32-47
 - TMINimum query, 17-84, 23-172, 24-195
 - TMINimum?, 32-47
 - TMODE, 32-48
 - TMODE?, 32-48
 - top of waveform voltage measurement, 33-66
 - TPOsition command/query, 16-65, 18-100, 22-152, 23-172
 - Trailing dots, 4-47
 - transferring waveform data program
 - example, 43-30, 43-32
 - Transmit Data (TD), 3-34, 3-35
 - TREE command, 12-86
 - trigger count:See trigger , 35-83
 - trigger delay, 34-70, 35-79, 35-83
 - trigger level voltage, 35-80
 - trigger logic, 35-82
 - trigger mode, 35-83
 - trigger path, 35-84
 - trigger slope, 35-84
 - trigger source, 35-85
 - TRIGger Subsystem, 35-74
 - triggered timebase mode, 34-71
 - Truncation rule, 4-45
-

-
- TTIME query, 12-87
 TTL, 30-23
 TTRigger, 22-138
 TTRigger/TTRace Subsystem, 22-131, 22-133, 22-134, 22-135, 22-136, 22-137, 22-138, 22-139, 22-140, 22-141, 22-142, 22-143, 22-144, 22-145, 22-146, 22-147, 22-148, 22-149, 22-150, 22-151, 22-152
 TWAVEform selector, 23-159
 TWAVEform Subsystem, 23-153, 23-155, 23-156, 23-157, 23-158, 23-159, 23-160, 23-161, 23-162, 23-163, 23-164, 23-165, 23-166, 23-167, 23-168, 23-169, 23-170, 23-171, 23-172, 23-173, 23-174, 23-175, 23-176, 23-177
 TYPE, 29-13, 32-39, 36-98
 TYPE command/query, 13-12
 TYPE?, 29-13, 36-98
- U**
 Units, 1-14
 UPLoad command, 11-77
 Uppercase, 1-13
 URQ, 6-73
 Using AUToscale and the MEASure:ALL? Query program example, 43-34
 Using Sub-routines program example, 43-35
- V**
 VALid, 36-99
 valid runs, 32-50
 VALid?, 36-99
 VAMPplitude, 33-64
 VAMPplitude?, 33-64
 VAXis command/query, 19-107
 VBASE, 33-64
 VBASE?, 33-64
 vertical axis, 30-22
 vertical range, 30-18, 30-20
 vertical sensitivity, 30-18
 Vlevel, 32-39
 VMAX, 33-65
 VMAX?, 33-65
 VMIN, 33-65
 VMIN?, 33-65
 VMODE, 32-49
 VMODE?, 32-49
- voltage marker A, 32-40
 voltage marker B, 32-41
 voltage marker mode, 32-49
 voltage measurement, 33-64
 voltage measurements, 32-36
 VOTime?, 32-50
 VPP, 33-66
 VPP?, 33-66
 VRUNs, 32-50
 VRUNs query, 17-84, 23-173, 24-195
 VRUNs?, 32-50
 VTOP, 33-66
 VTOP?, 33-66
 VXTime, 32-51
 VXTime?, 32-51
- W**
 waveform source, 36-97
 WAVEform Subsystem, 36-88
 White space, 1-9
 WIDTH, 41-56
 WIDTH command, 26-232
 WLISt selector, 14-16
 WLISt Subsystem, 14-13, 14-15, 14-16, 14-17, 14-18, 14-19, 14-20, 14-21, 14-22, 14-23
 word data structure, 36-90
 WORD format, 36-90
 word transfer, 36-89
- X**
 X marker placement, 32-52
 X marker position, 32-53
 X marker voltage level, 32-51
 XAUTo, 32-52
 XAUTo?, 32-52
 XCONdition command/query, 23-174, 24-196
 Xincrement, 36-99
 Query, 36-99
 XORigin, 36-100
 XORigin?, 36-100
 XOTag query, 17-85, 24-196
 XOTime, 32-53
 XOTime query, 14-22, 17-85, 23-174, 24-197
 XOTime?, 32-53
 XPATtern command/query, 17-86, 23-175, 24-197
- Y**
 YINCrement, 36-101
 YINCrement?, 36-101
 YORigin, 36-101
 YORigin?, 36-101
 YREFerence, 36-102
 YREFerence?, 36-102
- XREFerence, 36-100
 XREFerence?, 36-100
 XSEArch command/query, 17-87, 23-176, 24-198
 XSTate query, 14-22, 17-88, 24-199
 XTAG command/query, 17-88, 17-89, 24-200
 XTIME, 32-53
 XTIME command/query, 14-23, 23-177
 XTIME?, 32-53
 XVOLT, 32-51
 XWINDOW command, 9-44
 XXX, 4-47, 4-49
 XXX (meaning of), 1-8
-

© Copyright Hewlett-Packard Company 1992-97
All Rights Reserved.

Reproduction, adaptation, or translation without prior written permission is prohibited, except as allowed under the copyright laws.

Restricted Rights Legend

Use, duplication, or disclosure by the U.S. Government is subject to restrictions set forth in subparagraph (C) (1) (ii) of the Rights in Technical Data and Computer Software Clause in DFARS 252.227-7013.

Hewlett-Packard Company,
3000 Hanover Street, Palo Alto, CA 94304 U.S.A.
Rights for non-DOD U.S. Government Departments and Agencies are set forth in FAR 52.227-19(c)(1,2).

Document Warranty

The information contained in this document is subject to change without notice.

Hewlett-Packard makes no warranty of any kind with regard to this material, including, but not limited to, the implied warranties of merchantability or fitness for a particular purpose.

Hewlett-Packard shall not be liable for errors contained herein or for damages in connection with the furnishing, performance, or use of this material.

Safety

This apparatus has been designed and tested in accordance with IEC Publication 348, Safety Requirements for Measuring Apparatus, and has been supplied in a safe condition. This is a Safety Class I instrument (provided with terminal for protective earthing). Before applying power, verify that the correct safety precautions are taken (see the following warnings). In addition, note the external markings on the instrument that are described under "Safety Symbols."

Warning

- Before turning on the instrument, you must connect the protective earth terminal of the instrument to the protective conductor of the (mains) power cord. The mains plug shall only be inserted in a socket outlet provided with a protective earth contact. You must not negate the protective action by using an extension cord (power cable) without a protective conductor (grounding). Grounding one conductor of a two-conductor outlet is not sufficient protection.
- Only fuses with the required rated current, voltage, and specified type (normal blow, time delay, etc.) should be used. Do not use repaired fuses or short-circuited fuseholders. To do so could cause a shock of fire hazard.

- Service instructions are for trained service personnel. To avoid dangerous electric shock, do not perform any service unless qualified to do so. Do not attempt internal service or adjustment unless another person, capable of rendering first aid and resuscitation, is present.

- If you energize this instrument by an auto transformer (for voltage reduction), make sure the common terminal is connected to the earth terminal of the power source.

- Whenever it is likely that the ground protection is impaired, you must make the instrument inoperative and secure it against any unintended operation.

- Do not operate the instrument in the presence of flammable gasses or fumes. Operation of any electrical instrument in such an environment constitutes a definite safety hazard.

- Do not install substitute parts or perform any unauthorized modification to the instrument.

- Capacitors inside the instrument may retain a charge even if the instrument is disconnected from its source of supply.

- Use caution when exposing or handling the CRT. Handling or replacing the CRT shall be done only by qualified maintenance personnel.

Safety Symbols



Instruction manual symbol: the product is marked with this symbol when it is necessary for you to refer to the instruction manual in order to protect against damage to the product.



Hazardous voltage symbol.



Earth terminal symbol: Used to indicate a circuit common connected to grounded chassis.

WARNING

The Warning sign denotes a hazard. It calls attention to a procedure, practice, or the like, which, if not correctly performed or adhered to, could result in personal injury. Do not proceed beyond a Warning sign until the indicated conditions are fully understood and met.

CAUTION

The Caution sign denotes a hazard. It calls attention to an operating procedure, practice, or the like, which, if not correctly performed or adhered to, could result in damage to or destruction of part or all of the product. Do not proceed beyond a Caution symbol until the indicated conditions are fully understood or met.

Product Warranty

This Hewlett-Packard product has a warranty against defects in material and workmanship for a period of one year from date of shipment. During the warranty period, Hewlett-Packard Company will, at its option, either repair or replace products that prove to be defective.

For warranty service or repair, this product must be returned to a service facility designated by Hewlett-Packard.

For products returned to Hewlett-Packard for warranty service, the Buyer shall prepay shipping charges to Hewlett-Packard and Hewlett-Packard shall pay shipping charges to return the product to the Buyer. However, the Buyer shall pay all shipping charges, duties, and taxes for products returned to Hewlett-Packard from another country.

Hewlett-Packard warrants that its software and firmware designated by Hewlett-Packard for use with an instrument will execute its programming instructions when properly installed on that instrument.

Hewlett-Packard does not warrant that the operation of the instrument software, or firmware will be uninterrupted or error free.

Limitation of Warranty

The foregoing warranty shall not apply to defects resulting from improper or inadequate maintenance by the Buyer, Buyer-supplied software or interfacing, unauthorized modification or misuse, operation outside of the environmental specifications for the product, or improper site preparation or maintenance.

No other warranty is expressed or implied. Hewlett-Packard specifically disclaims the implied warranties of merchantability or fitness for a particular purpose.

Exclusive Remedies

The remedies provided herein are the buyer's sole and exclusive remedies.

Hewlett-Packard shall not be liable for any direct, indirect, special, incidental, or consequential damages, whether based on contract, tort, or any other legal theory.

Assistance

Product maintenance agreements and other customer assistance agreements are available for Hewlett-Packard products.

For any assistance, contact your nearest Hewlett-Packard Sales Office.

Certification

Hewlett-Packard Company certifies that this product met its published specifications at the time of shipment from the factory. Hewlett-Packard further certifies that its calibration measurements are traceable to the United States National Institute of Standards and Technology, to the extent allowed by the Institute's calibration facility, and to the calibration facilities of other International Standards Organization members.

About this edition

This is the first edition of the *HP 1660E/ES/EP-Series Logic Analyzers Programmer's Guide*

Publication number
01660-97029

Printed in USA.

Edition dates are as follows:

First edition, August 1998

New editions are complete revisions of the manual. Many product updates do not require manual changes and manual corrections may be done without accompanying product changes. Therefore, do not expect a one-to-one correspondence between product updates and manual updates.